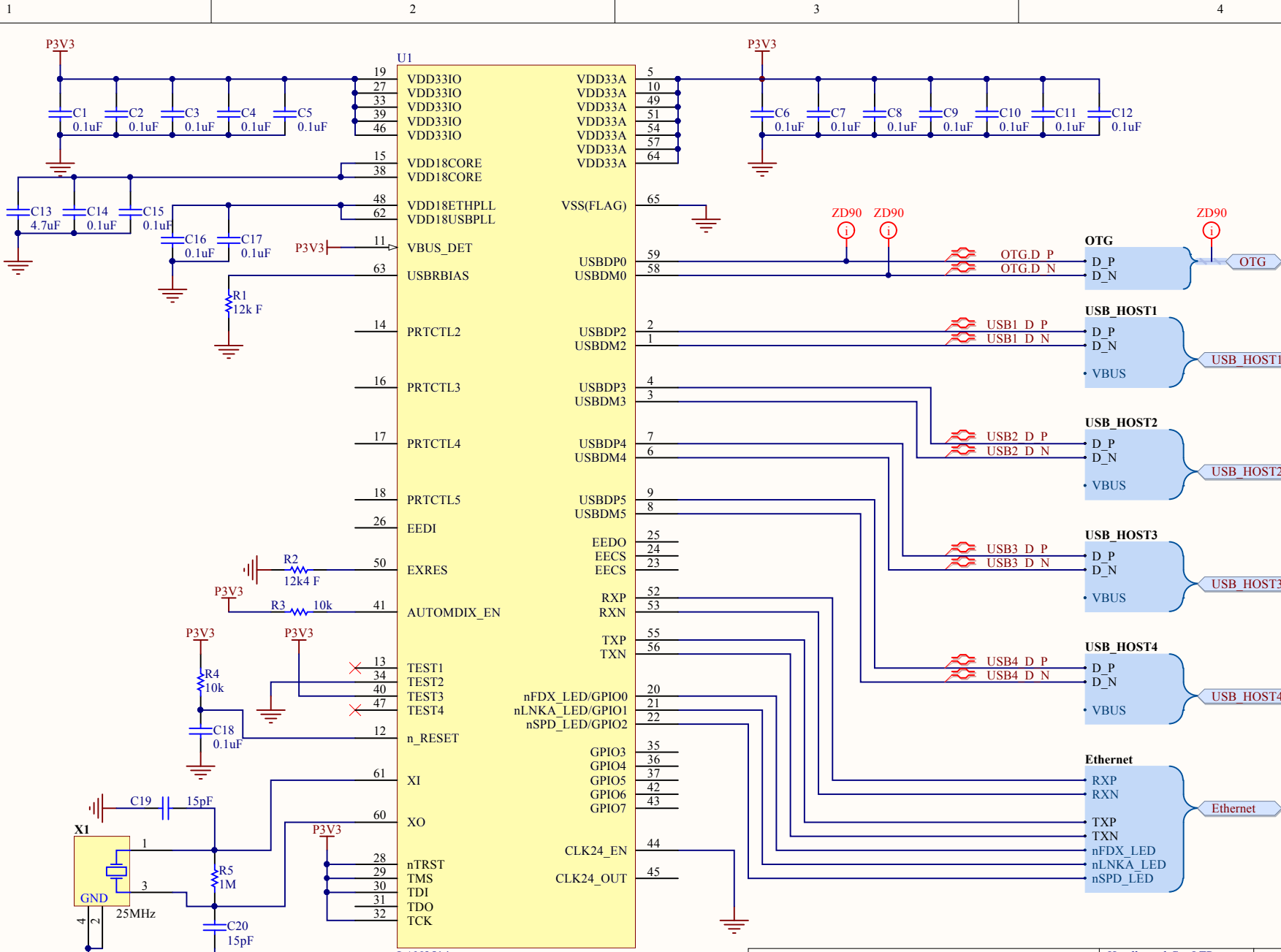

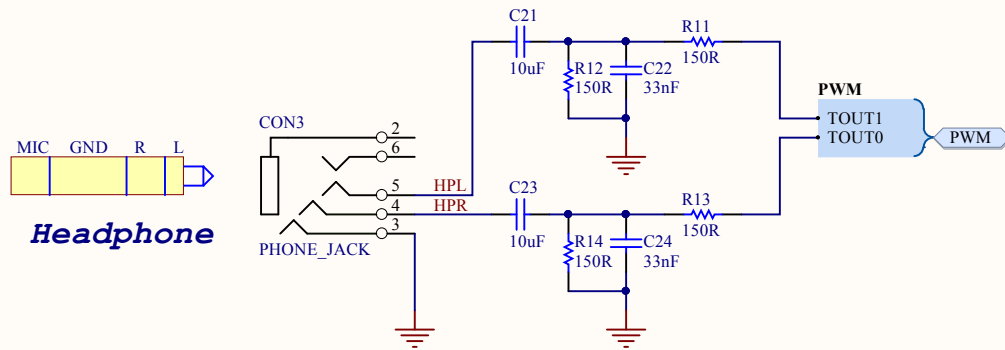



MH1 MOUNTING HOLE 3MM  
 MH2 MOUNTING HOLE 3MM

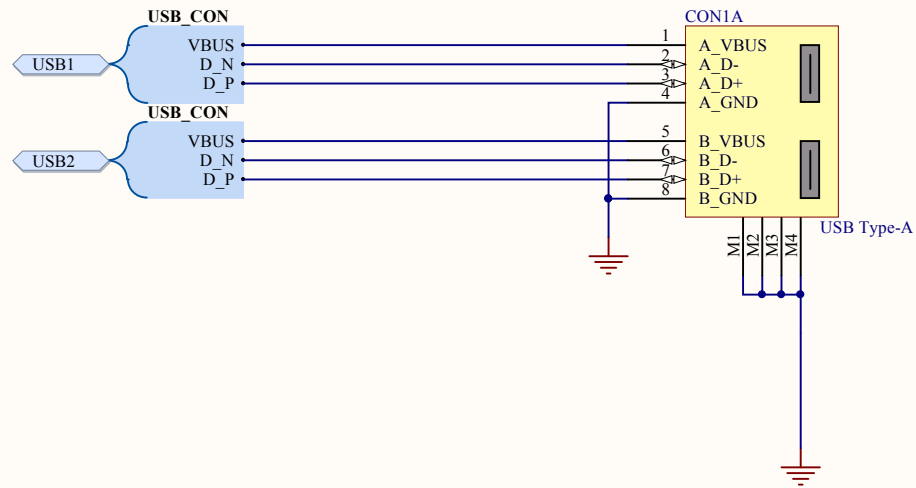
Title <b>Docking Board for W</b>			Hardkernel Co.,LTD. 704 K-center 248-25 Simindong Dongan Anyang Gyeonggido South Korea	<b>ANDROID</b>
Size: A3	Number: 1	Revision: 0.3		
Date: 2014-07-21	Time: 2014.07.21 12:20:23	Sheet: 1 of 7		
File: D:\hw\hkl\odpi_base\odpi_base.SchDoc				




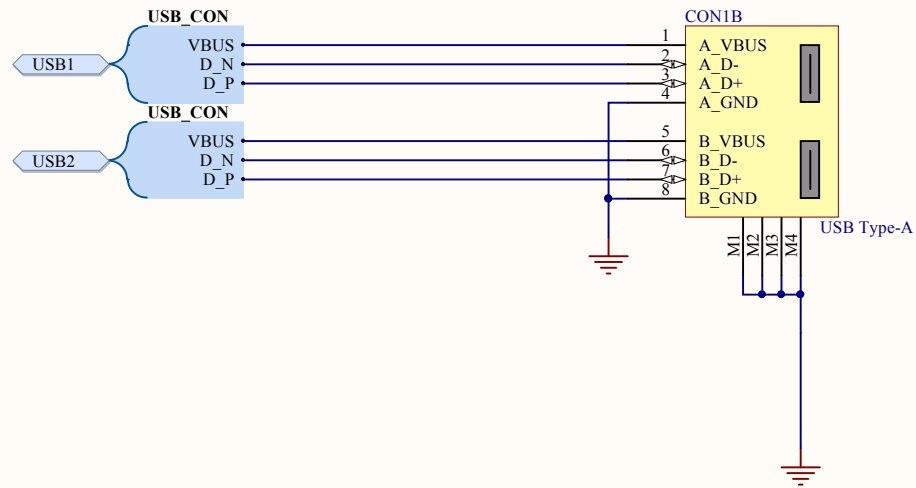
Title <b>LAN9514</b>			Hardkernel Co.,LTD. 704 K-center 248-25 Siminda Dongan Anyang Gyeonggido South Korea	
Size: A4	Number:2	Revision:0.3		
Date: 2014-07-21	Time: 오후 12:20	Sheet:2 of 7		
File: D:\hw\hkl\odpi_base\ETHERNET_LAN9514.SchDoc				




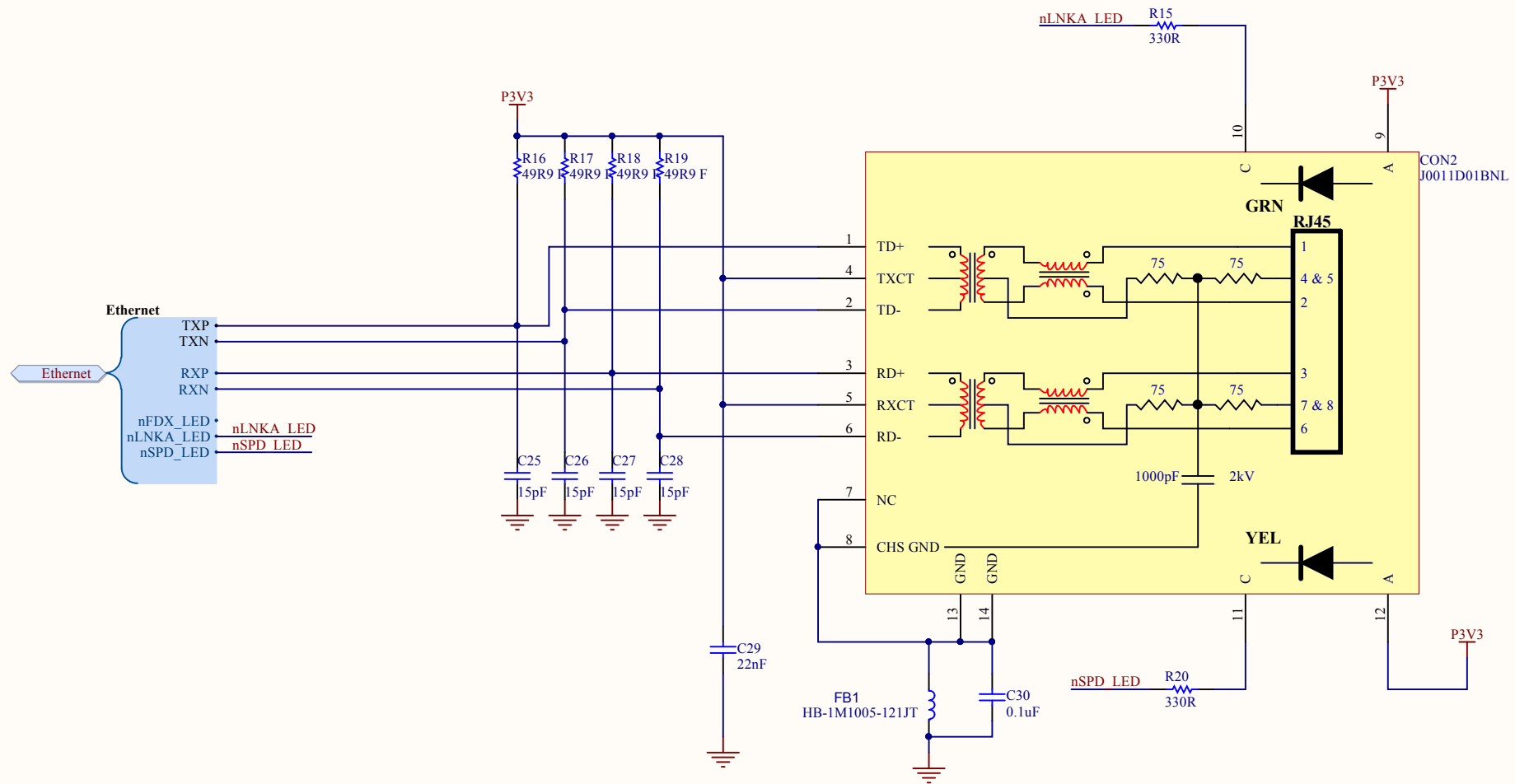
Title <b>Phone Jack</b>			Hardkernel Co.,LTD. 704 K-center 248-25 Siminda Dongan Anyang Gyeonggido South Korea	
Size: A4	Number:3	Revision:0.3		
Date: 2014-07-21	Time: 오후 12:20	Sheet 3 of 7		
File: D:\hw\hkl\odpi_base\PHONE_JACK.SchDoc				




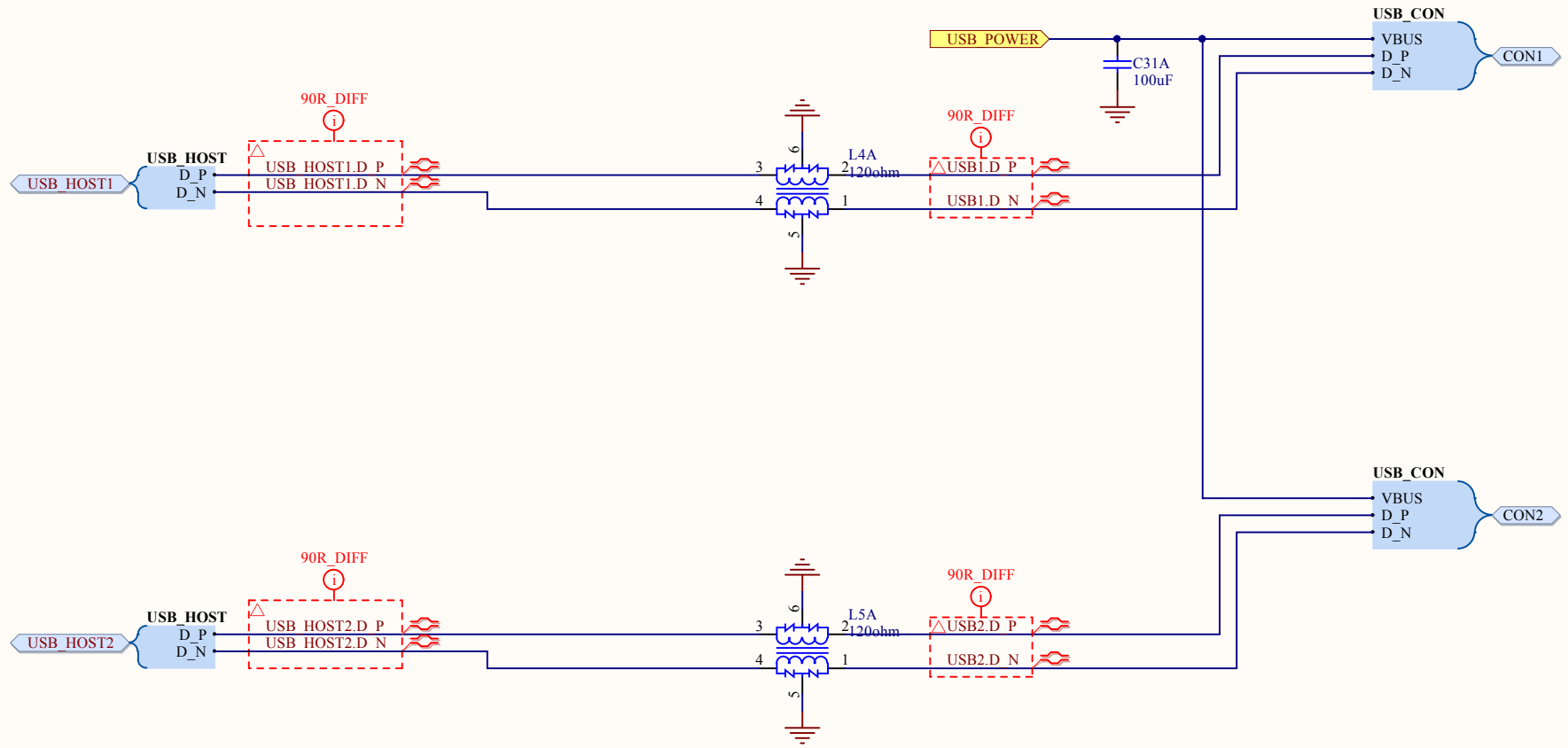
Title <b>USB TYPE A Dual Connector</b>			Hardkernel Co.,LTD. 704 K-center 248-25 Siminda Dongan Anyang Gyeonggido South Korea	
Size: A4	Number:4	Revision:0.3		
Date: 2014-07-21	Time: 오후 12:20	Sheet 4 of 7		
File: D:\hw\hkl\odpi_base\CON_USB_RA.SchDoc				




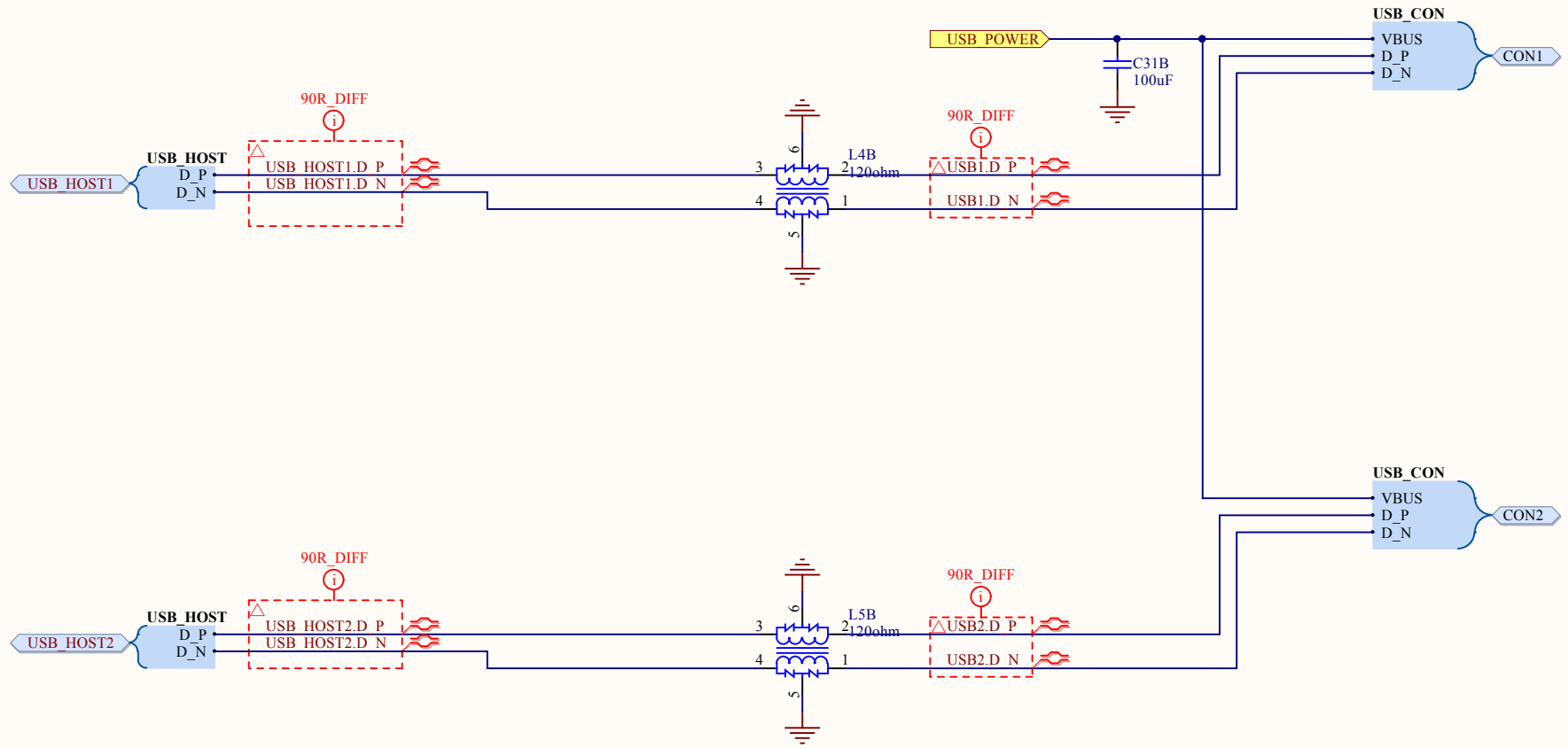
Title <b>USB TYPE A Dual Connector</b>			Hardkernel Co.,LTD. 704 K-center 248-25 Siminda Dongan Anyang Gyeonggido South Korea	
Size: A4	Number:4	Revision:0.3		
Date: 2014-07-21	Time: 오후 12:20	Sheet 4 of 7		
File: D:\hw\hkl\odpi_base\CON_USB_RA.SchDoc				




Title <b>RJ45 with Magnetics</b>			Hardkernel Co.,LTD. 704 K-center 248-25 Siminda Dongan Anyang Gyeonggido South Korea	
Size: A4	Number:5	Revision:0.3		
Date: 2014-07-21	Time: 오후 12:20	Sheet 5 of 7		
File: D:\hw\hkl\odpi_base\CON_ETHERNET.SchDoc				



Title <b>USB CMF</b>			Hardkernel Co.,LTD. 704 K-center 248-25 Siminda Dongan Anyang Gyeonggido South Korea	
Size: A4	Number:6	Revision:0.3		
Date: 2014-07-21	Time: 오후 12:20:28 sheet 6 of 7			
File: D:\hw\hkl\odpi_base\USB_HOST.SchDoc				



Title <b>USB CMF</b>			Hardkernel Co.,LTD. 704 K-center 248-25 Siminda Dongan Anyang Gyeonggido South Korea	
Size: A4	Number:6	Revision:0.3		
Date: 2014-07-21	Time: 오후 12:20:28 sheet 6 of 7			
File: D:\hw\hkl\odpi_base\USB_HOST.SchDoc				



1

2

3

4

A

A

B

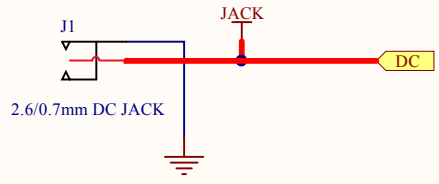
B


C

C

D

D



Title <b>DC Jack</b>			Hardkernel Co.,LTD. 704 K-center 248-25 Siminda Dongan Anyang Gyeonggido South Korea	
Size: A4	Number:7	Revision:0.3		
Date: 2014-07-21	Time: 오후 12:20:28 Sheet 7 of 7			
File: D:\hw\hkl\odpi_base\CON_DCJACK.SchDoc				

1

2

3

4