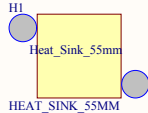


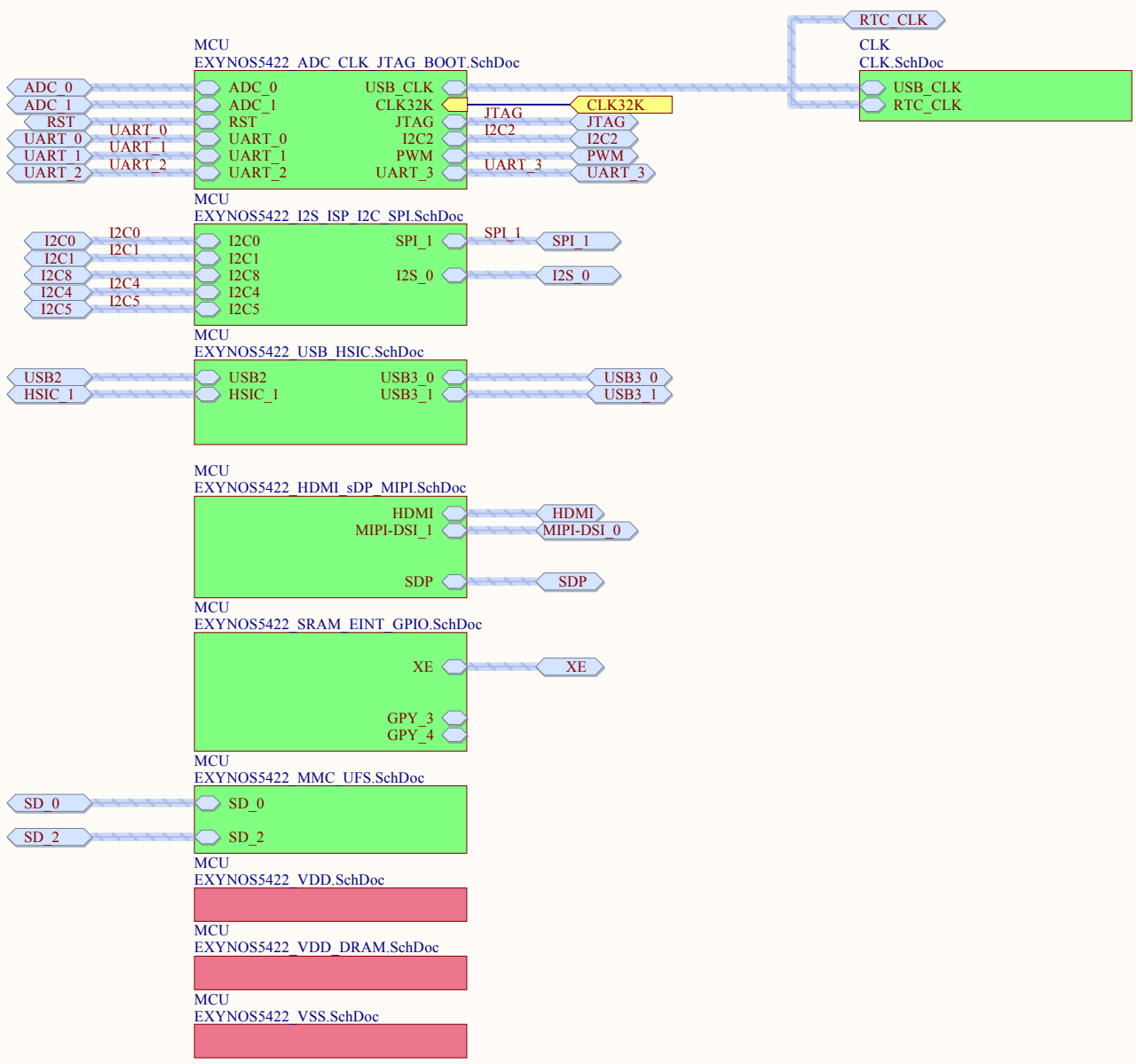
Mounting Holes

- MH1
MOUNTING HOLE 3MM
- MH2
MOUNTING HOLE 3MM
- MH3
MOUNTING HOLE 3MM
- MH4
MOUNTING HOLE 3MM

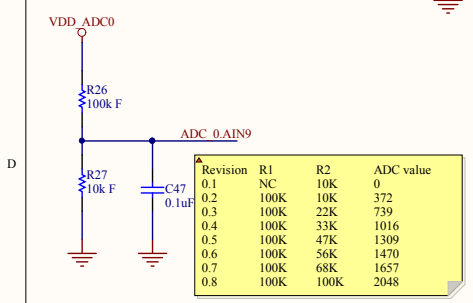
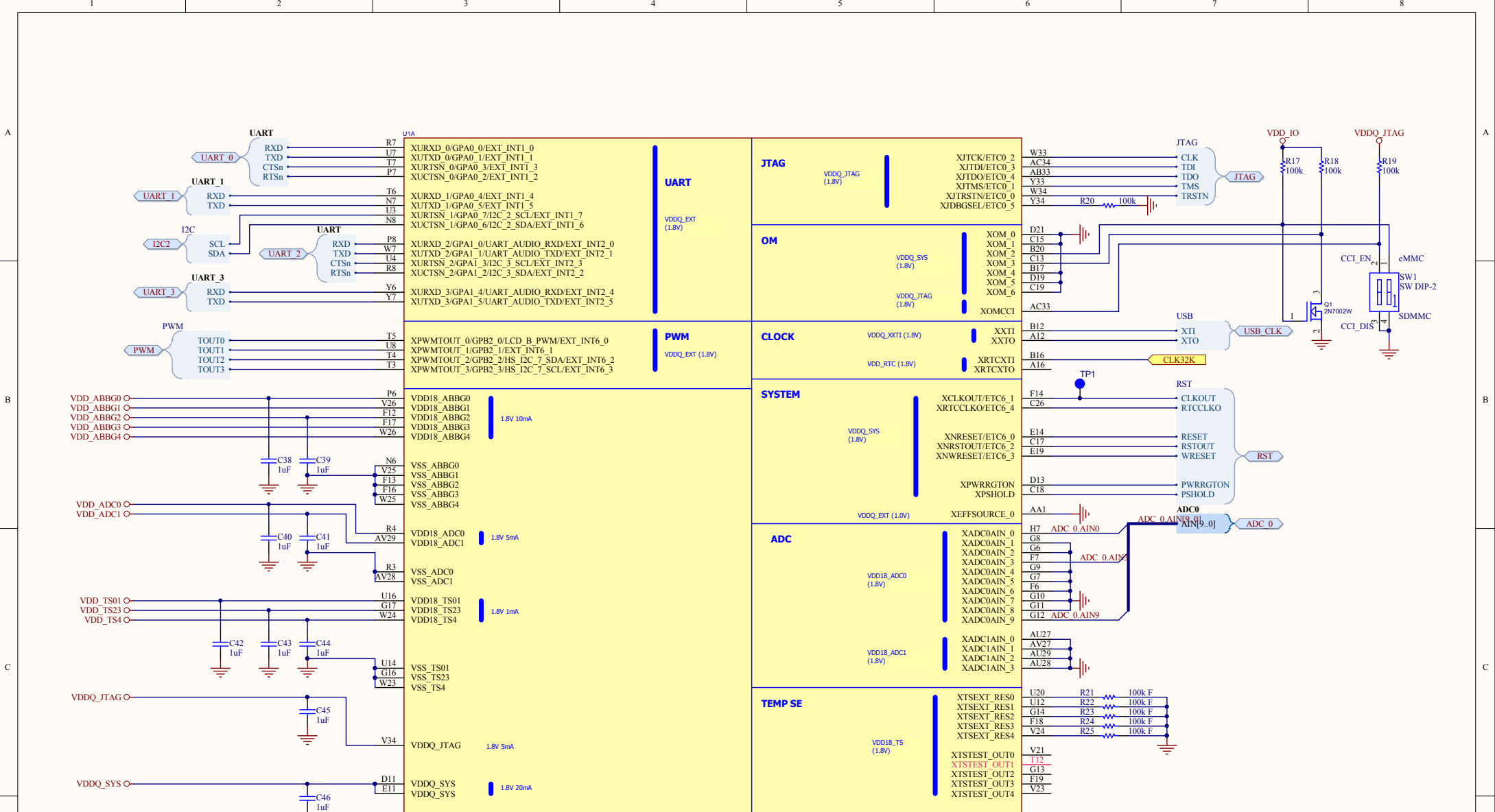
Heat Sink



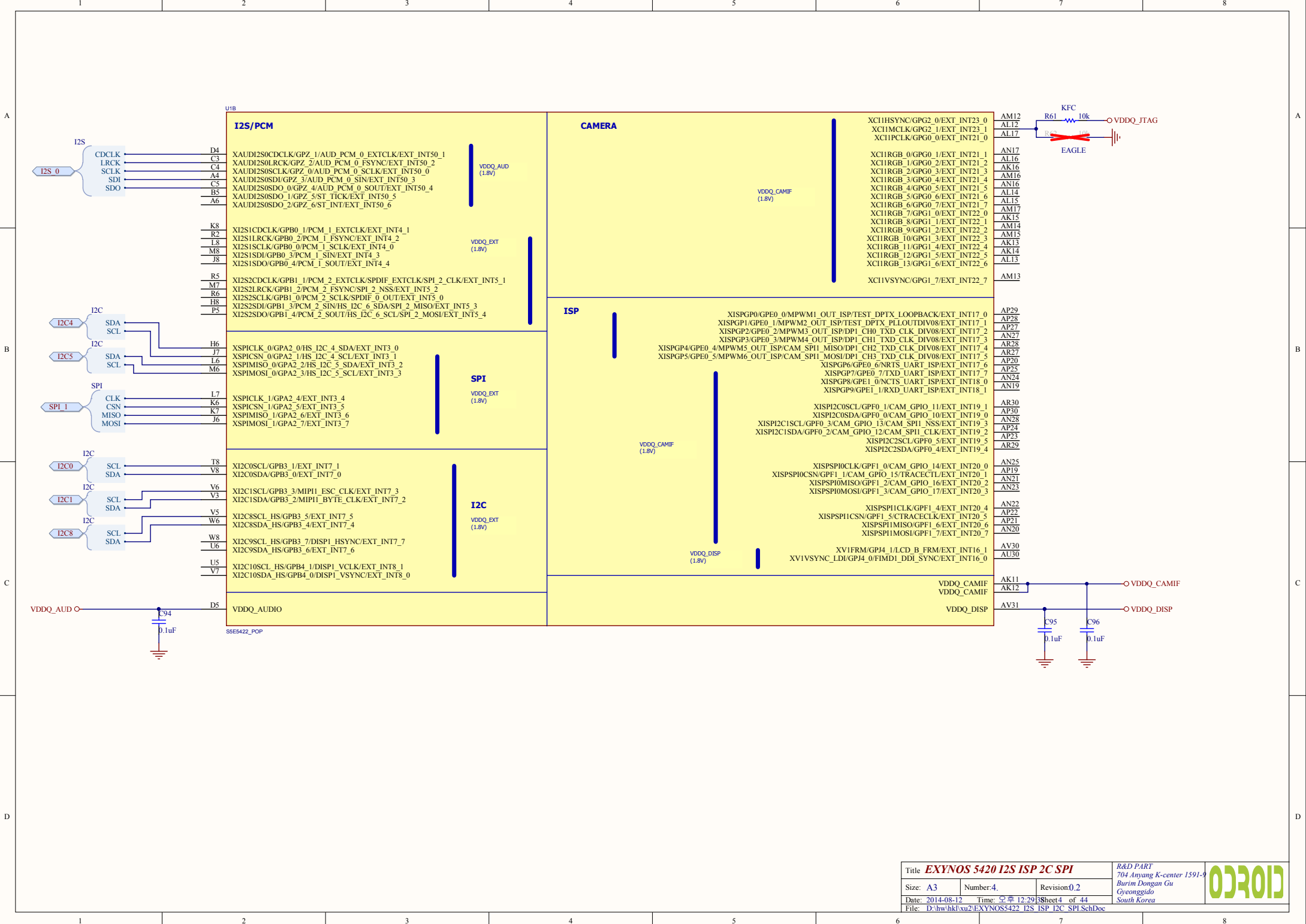
Title XU3-MAIN			Hardkernel Co.,LTD. 704 Anyang K-center 248-25 Dongan Gu, Anyang City Gyeonggido South Korea	ANDROID
Date: 2014-08-12	Time: 12:29:38	Revision: 0.2		
Sheet 1 of 44				
File: D:\hw\hkl\xu2\XU3-MAIN.SchDoc				

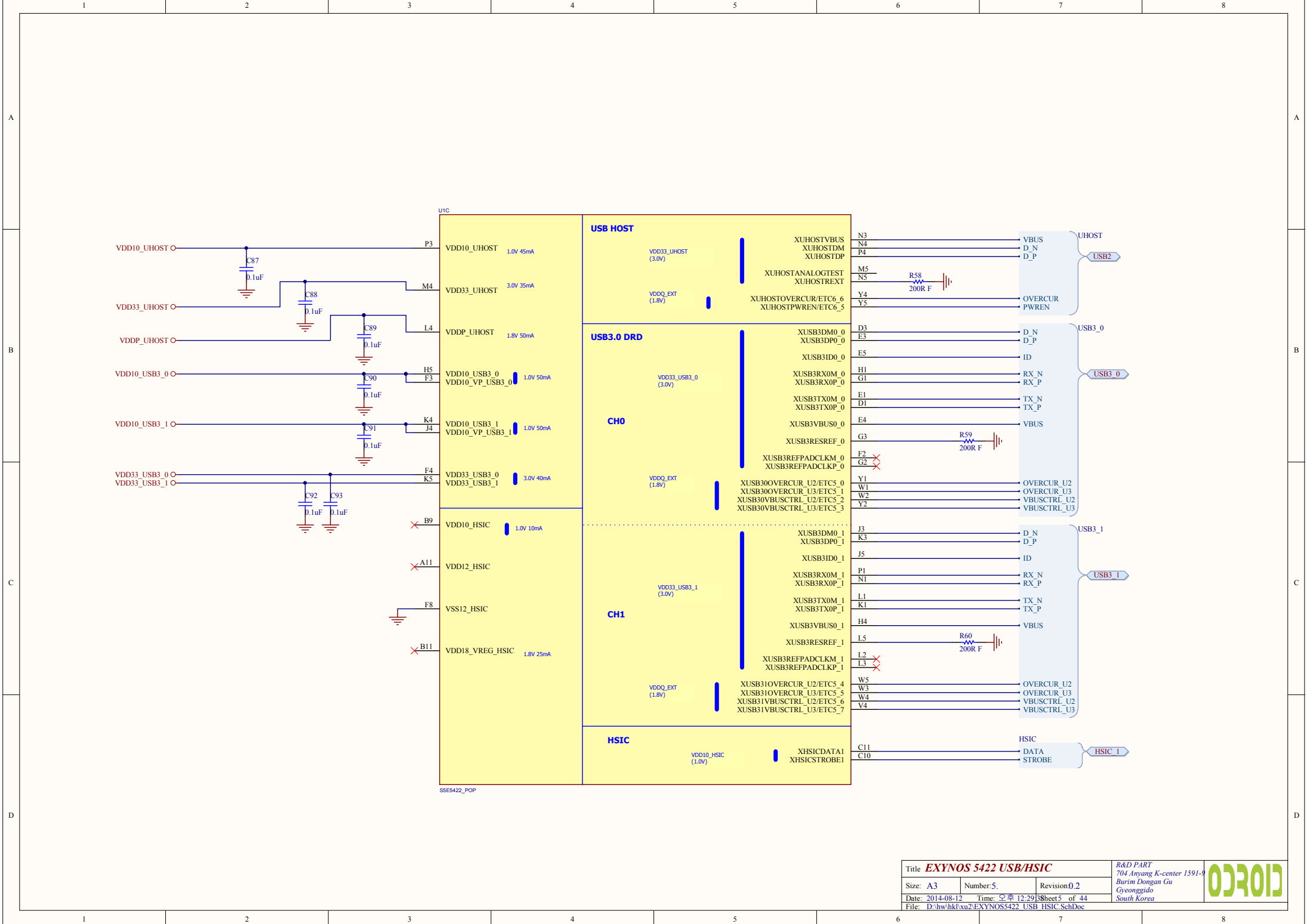


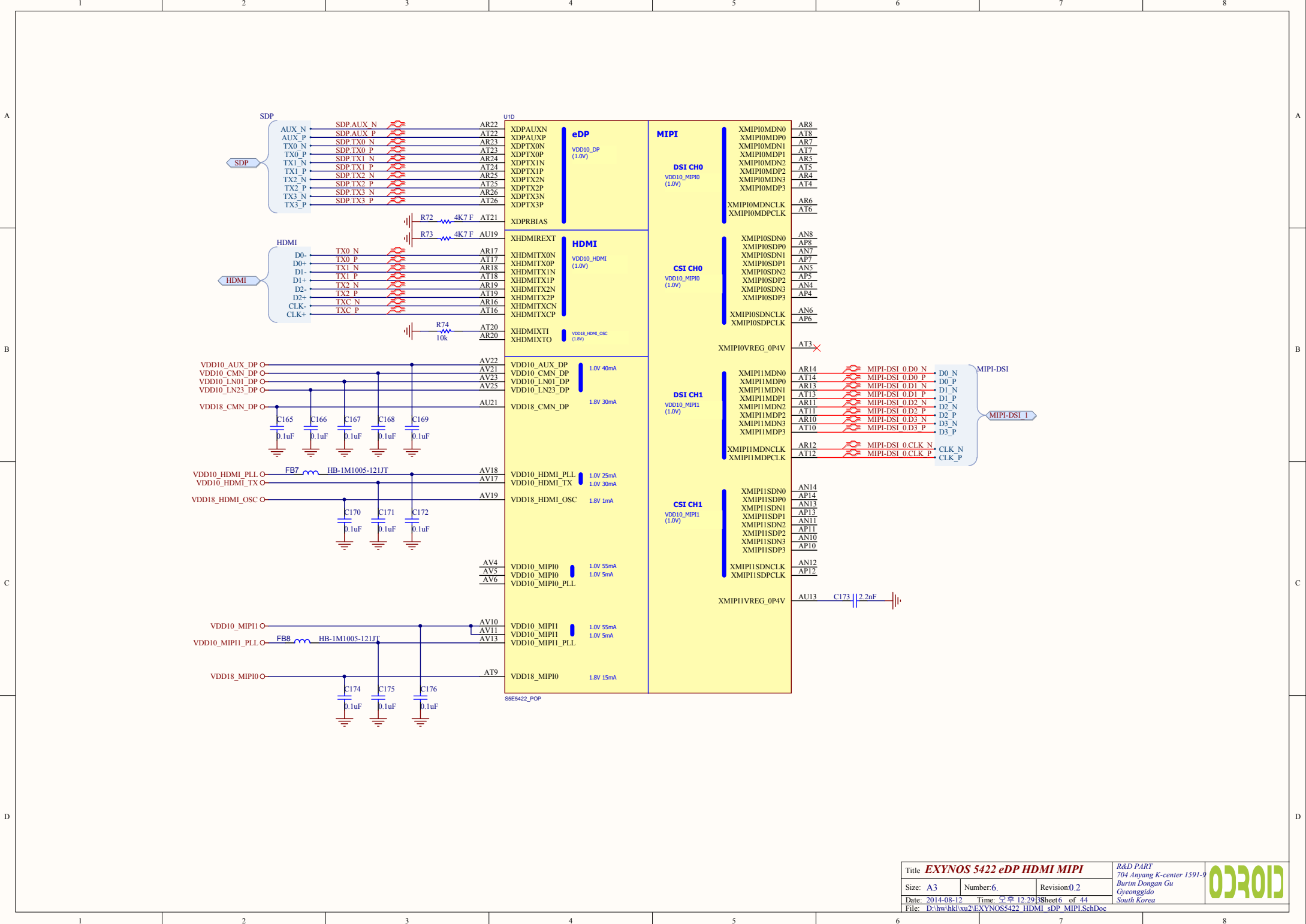
Title MCU EXYNOS 5422			R&D PART 704 Anyang K-center 248-25 Dongan Gu, Anyang City Gyeonggido South Korea
Size: A4	Number: 2.	Revision: 0.2	
Date: 2014-08-12	Time: 오후 12:29:38	Sheet 2 of 44	
File: D:\hw\hkl\xu2\MCU_EXYNOS5422.SchDoc			

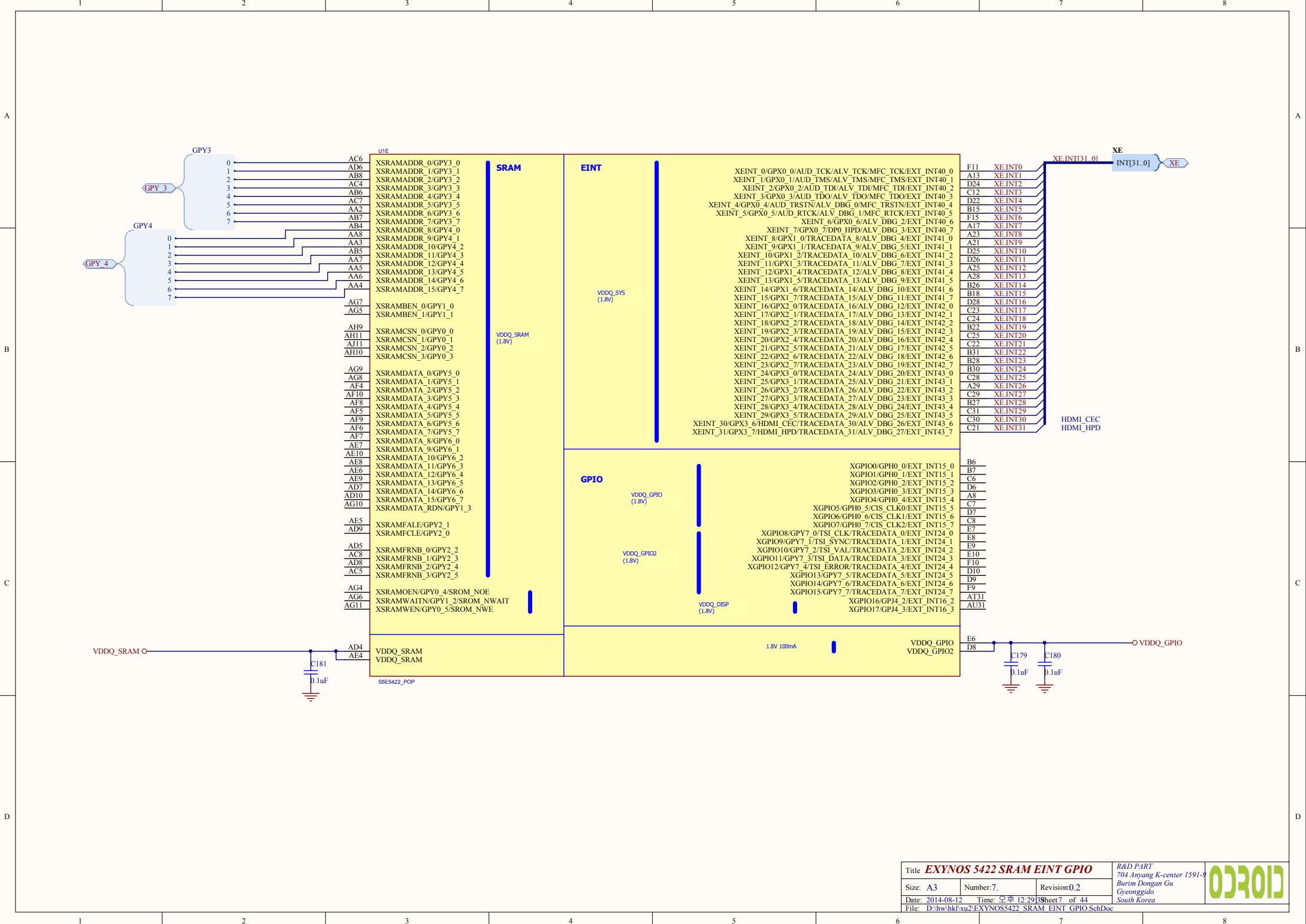


Revision	R1	R2	ADC value
0.1	NC	10K	0
0.2	100K	10K	372
0.3	100K	22K	739
0.4	100K	33K	1016
0.5	100K	47K	1309
0.6	100K	56K	1470
0.7	100K	68K	1657
0.8	100K	100K	2048









UTE

AC6	XSRAMADDR_0/GPY3_0	XEINT_0/GPX0_0/AUD_TCK/ALV_TCK/MFC_TCK/EXT_INT40_0
AD6	XSRAMADDR_1/GPY3_1	XEINT_1/GPX0_1/AUD_TMS/ALV_TMS/MFC_TMS/EXT_INT40_1
AB8	XSRAMADDR_2/GPY3_2	XEINT_2/GPX0_2/AUD_TDI/ALV_TDI/MFC_TDI/EXT_INT40_2
AC4	XSRAMADDR_3/GPY3_3	XEINT_3/GPX0_3/AUD_TDO/ALV_TDO/MFC_TDO/EXT_INT40_3
AB6	XSRAMADDR_4/GPY3_4	XEINT_4/GPX0_4/AUD_TRSTN/ALV_DBG_0/MFC_TRSTN/EXT_INT40_4
AC7	XSRAMADDR_5/GPY3_5	XEINT_5/GPX0_5/AUD_RTCK/ALV_DBG_1/MFC_RTCK/EXT_INT40_5
AA2	XSRAMADDR_6/GPY3_6	XEINT_6/GPX0_6/ALV_DBG_2/EXT_INT40_6
AB7	XSRAMADDR_7/GPY3_7	XEINT_7/GPX0_7/DP0_HPD/ALV_DBG_3/EXT_INT40_7
AB4	XSRAMADDR_8/GPY4_0	XEINT_8/GPX1_0/TRACEDATA_8/ALV_DBG_4/EXT_INT41_0
AA8	XSRAMADDR_9/GPY4_1	XEINT_9/GPX1_1/TRACEDATA_9/ALV_DBG_5/EXT_INT41_1
AA3	XSRAMADDR_10/GPY4_2	XEINT_10/GPX1_2/TRACEDATA_10/ALV_DBG_6/EXT_INT41_2
AB5	XSRAMADDR_11/GPY4_3	XEINT_11/GPX1_3/TRACEDATA_11/ALV_DBG_7/EXT_INT41_3
AA7	XSRAMADDR_12/GPY4_4	XEINT_12/GPX1_4/TRACEDATA_12/ALV_DBG_8/EXT_INT41_4
AA5	XSRAMADDR_13/GPY4_5	XEINT_13/GPX1_5/TRACEDATA_13/ALV_DBG_9/EXT_INT41_5
AA6	XSRAMADDR_14/GPY4_6	XEINT_14/GPX1_6/TRACEDATA_14/ALV_DBG_10/EXT_INT41_6
AA4	XSRAMADDR_15/GPY4_7	XEINT_15/GPX1_7/TRACEDATA_15/ALV_DBG_11/EXT_INT41_7
AG7	XSRAMBEN_0/GPY1_0	XEINT_16/GPX2_0/TRACEDATA_16/ALV_DBG_12/EXT_INT42_0
AG5	XSRAMBEN_1/GPY1_1	XEINT_17/GPX2_1/TRACEDATA_17/ALV_DBG_13/EXT_INT42_1
AH9	XSRAMCSN_0/GPY0_0	XEINT_18/GPX2_2/TRACEDATA_18/ALV_DBG_14/EXT_INT42_2
AH11	XSRAMCSN_1/GPY0_1	XEINT_19/GPX2_3/TRACEDATA_19/ALV_DBG_15/EXT_INT42_3
AJ11	XSRAMCSN_2/GPY0_2	XEINT_20/GPX2_4/TRACEDATA_20/ALV_DBG_16/EXT_INT42_4
AH10	XSRAMCSN_3/GPY0_3	XEINT_21/GPX2_5/TRACEDATA_21/ALV_DBG_17/EXT_INT42_5
AG9	XSRAMDATA_0/GPY5_0	XEINT_22/GPX2_6/TRACEDATA_22/ALV_DBG_18/EXT_INT42_6
AG8	XSRAMDATA_1/GPY5_1	XEINT_23/GPX2_7/TRACEDATA_23/ALV_DBG_19/EXT_INT42_7
AF4	XSRAMDATA_2/GPY5_2	XEINT_24/GPX3_0/TRACEDATA_24/ALV_DBG_20/EXT_INT43_0
AF10	XSRAMDATA_3/GPY5_3	XEINT_25/GPX3_1/TRACEDATA_25/ALV_DBG_21/EXT_INT43_1
AF8	XSRAMDATA_4/GPY5_4	XEINT_26/GPX3_2/TRACEDATA_26/ALV_DBG_22/EXT_INT43_2
AF5	XSRAMDATA_5/GPY5_5	XEINT_27/GPX3_3/TRACEDATA_27/ALV_DBG_23/EXT_INT43_3
AF9	XSRAMDATA_6/GPY5_6	XEINT_28/GPX3_4/TRACEDATA_28/ALV_DBG_24/EXT_INT43_4
AF6	XSRAMDATA_7/GPY5_7	XEINT_29/GPX3_5/TRACEDATA_29/ALV_DBG_25/EXT_INT43_5
AF7	XSRAMDATA_8/GPY6_0	XEINT_30/GPX3_6/HDMI_CEC/TRACEDATA_30/ALV_DBG_26/EXT_INT43_6
AE7	XSRAMDATA_9/GPY6_1	XEINT_31/GPX3_7/HDMI_HPD/TRACEDATA_31/ALV_DBG_27/EXT_INT43_7
AE10	XSRAMDATA_10/GPY6_2	
AE8	XSRAMDATA_11/GPY6_3	
AE6	XSRAMDATA_12/GPY6_4	
AE9	XSRAMDATA_13/GPY6_5	
AD7	XSRAMDATA_14/GPY6_6	
AD10	XSRAMDATA_15/GPY6_7	
AG10	XSRAMDATA_RDN/GPY1_3	
AE5	XSRAMFALE/GPY2_1	
AD9	XSRAMFCLC/GPY2_0	
AC5	XSRAMFRNB_0/GPY2_2	
AC8	XSRAMFRNB_1/GPY2_3	
AD8	XSRAMFRNB_2/GPY2_4	
AC3	XSRAMFRNB_3/GPY2_5	
AG4	XSRAMOEN/GPY0_4/SROM_NOE	
AG6	XSRAMWAITN/GPY1_2/SROM_NWAIT	
AG11	XSRAMWEN/GPY0_5/SROM_NWE	

GPIO

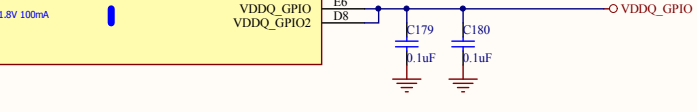
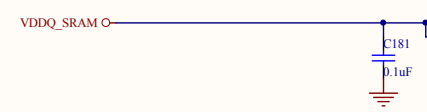
B6	XGPIO0/GPH0_0/EXT_INT15_0
B7	XGPIO1/GPH0_1/EXT_INT15_1
C6	XGPIO2/GPH0_2/EXT_INT15_2
D6	XGPIO3/GPH0_3/EXT_INT15_3
A8	XGPIO4/GPH0_4/EXT_INT15_4
C7	XGPIO5/GPH0_5/CIS_CLK0/EXT_INT15_5
D7	XGPIO6/GPH0_6/CIS_CLK1/EXT_INT15_6
C8	XGPIO7/GPH0_7/CIS_CLK2/EXT_INT15_7
E7	XGPIO8/GPY7_0/TSI_CLK/TRACEDATA_0/EXT_INT24_0
E8	XGPIO9/GPY7_1/TSI_SYNC/TRACEDATA_1/EXT_INT24_1
E9	XGPIO10/GPY7_2/TSI_VAL/TRACEDATA_2/EXT_INT24_2
E10	XGPIO11/GPY7_3/TSI_DATA/TRACEDATA_3/EXT_INT24_3
F10	XGPIO12/GPY7_4/TSI_ERROR/TRACEDATA_4/EXT_INT24_4
D10	XGPIO13/GPY7_5/TRACEDATA_5/EXT_INT24_5
D9	XGPIO14/GPY7_6/TRACEDATA_6/EXT_INT24_6
F9	XGPIO15/GPY7_7/TRACEDATA_7/EXT_INT24_7
AT31	XGPIO16/GP4_2/EXT_INT16_2
AU31	XGPIO17/GP4_3/EXT_INT16_3

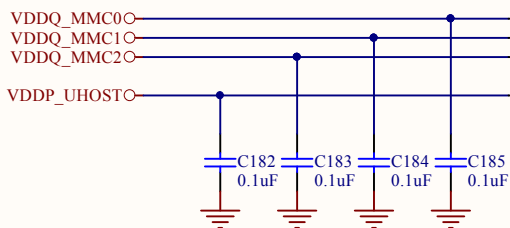
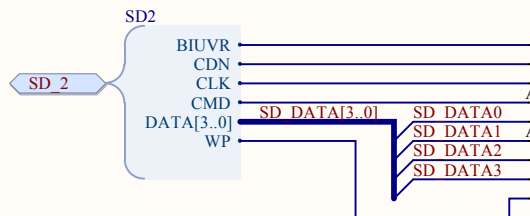
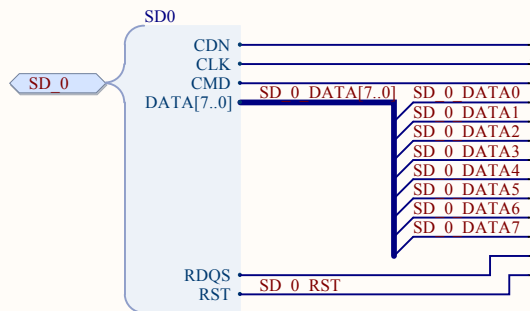
HDMI_CEC

F11	XE.INT0
A13	XE.INT1
D24	XE.INT2
C12	XE.INT3
D22	XE.INT4
B15	XE.INT5
F15	XE.INT6
A17	XE.INT7
A23	XE.INT8
A21	XE.INT9
D25	XE.INT10
D26	XE.INT11
A25	XE.INT12
A28	XE.INT13
B26	XE.INT14
B18	XE.INT15
D28	XE.INT16
C23	XE.INT17
C24	XE.INT18
B22	XE.INT19
C25	XE.INT20
C22	XE.INT21
B31	XE.INT22
B28	XE.INT23
B30	XE.INT24
C28	XE.INT25
A29	XE.INT26
C29	XE.INT27
B27	XE.INT28
C31	XE.INT29
C30	XE.INT30
C21	XE.INT31

Power and I/O

E6	VDDQ_GPIO
D8	VDDQ_GPIO2
B6	B6
B7	B7
C6	C6
D6	D6
A8	A8
C7	C7
D7	D7
C8	C8
E7	E7
E8	E8
E9	E9
E10	E10
F10	F10
D10	D10
D9	D9
F9	F9
AT31	AT31
AU31	AU31





U1F

AK6	XMMC0CDN/GPC0_2/EXT_INT9_2
AL10	XMMC0CLK/GPC0_0/EXT_INT9_0
AM9	XMMC0CMD/GPC0_1/EXT_INT9_1
AG2	XMMC0DATA_0/GPC0_3/EXT_INT9_3
AG1	XMMC0DATA_1/GPC0_4/EXT_INT9_4
AJ8	XMMC0DATA_2/GPC0_5/EXT_INT9_5
AL11	XMMC0DATA_3/GPC0_6/EXT_INT9_6
AG3	XMMC0DATA_4/GPC3_0/EXT_INT12_0
AF3	XMMC0DATA_5/GPC3_1/EXT_INT12_1
AK7	XMMC0DATA_6/GPC3_2/EXT_INT12_2
AJ9	XMMC0DATA_7/GPC3_3/EXT_INT12_3
AK9	XMMC0RDQS/GPC0_7/EXT_INT9_7
AE3	XMMC0RESETOUT/GPD1_0/EXT_INT14_0

AC3	XMMC1BEPW/GPD1_2/EXT_INT14_2
AK10	XMMC1CDN/GPC1_2/EXT_INT10_2
AD2	XMMC1CLK/GPC1_0/EXT_INT10_0
AD1	XMMC1CMD/GPC1_1/EXT_INT10_1
AJ10	XMMC1DATA_0/GPC1_3/EXT_INT10_3
AH8	XMMC1DATA_1/GPC1_4/EXT_INT10_4
AJ5	XMMC1DATA_2/GPC1_5/EXT_INT10_5
AJ6	XMMC1DATA_3/GPC1_6/EXT_INT10_6
AC2	XMMC1DATA_4/GPD1_4/EXT_INT14_4
AC1	XMMC1DATA_5/GPD1_5/EXT_INT14_5
AB2	XMMC1DATA_6/GPD1_6/EXT_INT14_6
AH5	XMMC1DATA_7/GPD1_7/EXT_INT14_7
AH6	XMMC1INTN/GPD1_1/EXT_INT14_1
AD3	XMMC1RDQS/GPC1_7/EXT_INT10_7
AB3	XMMC1WP/GPD1_3/EXT_INT14_3

AM6	XMMC2BIUVR/GPC4_1/EXT_INT13_1
AL6	XMMC2CDN/GPC2_2/EXT_INT11_2
AM7	XMMC2CLK/GPC2_0/EXT_INT11_0
AM11	XMMC2CMD/GPC2_1/EXT_INT11_1
AM5	XMMC2DATA_0/GPC2_3/EXT_INT11_3
AM10	XMMC2DATA_1/GPC2_4/EXT_INT11_4
AN9	XMMC2DATA_2/GPC2_5/EXT_INT11_5
AL5	XMMC2DATA_3/GPC2_6/EXT_INT11_6
AK5	XMMC2WP/GPC4_0/EXT_INT13_0

AL7	VDDQ_MMC0	1.8V 150mA
AH7	VDDQ_MMC1	1.8V 150mA
AL8	VDDQ_MMC2	2.8V 250mA
AL9	VDDP_MMC	1.8V 50mA

SSE5422_POP

MMC

CH0
VDDQ_MMC0 (1.8V)

CH1
VDDQ_MMC1 (1.8V)

CH2
VDDQ_MMC2 (1.8V/2.8V)

UFS

VDDQ_EXT (1.8V)

VDD_RX_UFS (1.0V)

VDD_TX_UFS (1.0V)

VDD_UFS_OSC (1.8V)

VDD_CMN_UFS (1.0V)

1.0V 60mA

1.0V 60mA

1.0V 60mA

1.8V 5mA

1.8V 1mA

XUFSNRESET/ETC6_7	Y3
XUFSRXDN0	AJ4
XUFSRXDP0	AJ3
XUFSRXDN1	AH4
XUFSRXDP1	AH3
XUFSTXDN0	AL4
XUFSTXDP0	AL3
XUFSTXDN1	AM4
XUFSTXDP1	AM3

XUFSXTI	AP1
XUFSXTO	AN1

XUFSREFCLK	AK4
XUFSREFCLK_OUT	AK3
XUFSREXT	AH2

VDD_CMN_UFS	AK1
-------------	-----

VDD_RX_UFS	AL1
------------	-----

VDD_TX_UFS	AJ1
------------	-----

VDD_UFS_OSC	AN2
-------------	-----

VDDH_CMN_UFS	AK2
--------------	-----

Title **EXYNOS 5422 MMC UFS**

Size: A4

Number: 8.

Revision: 0.2

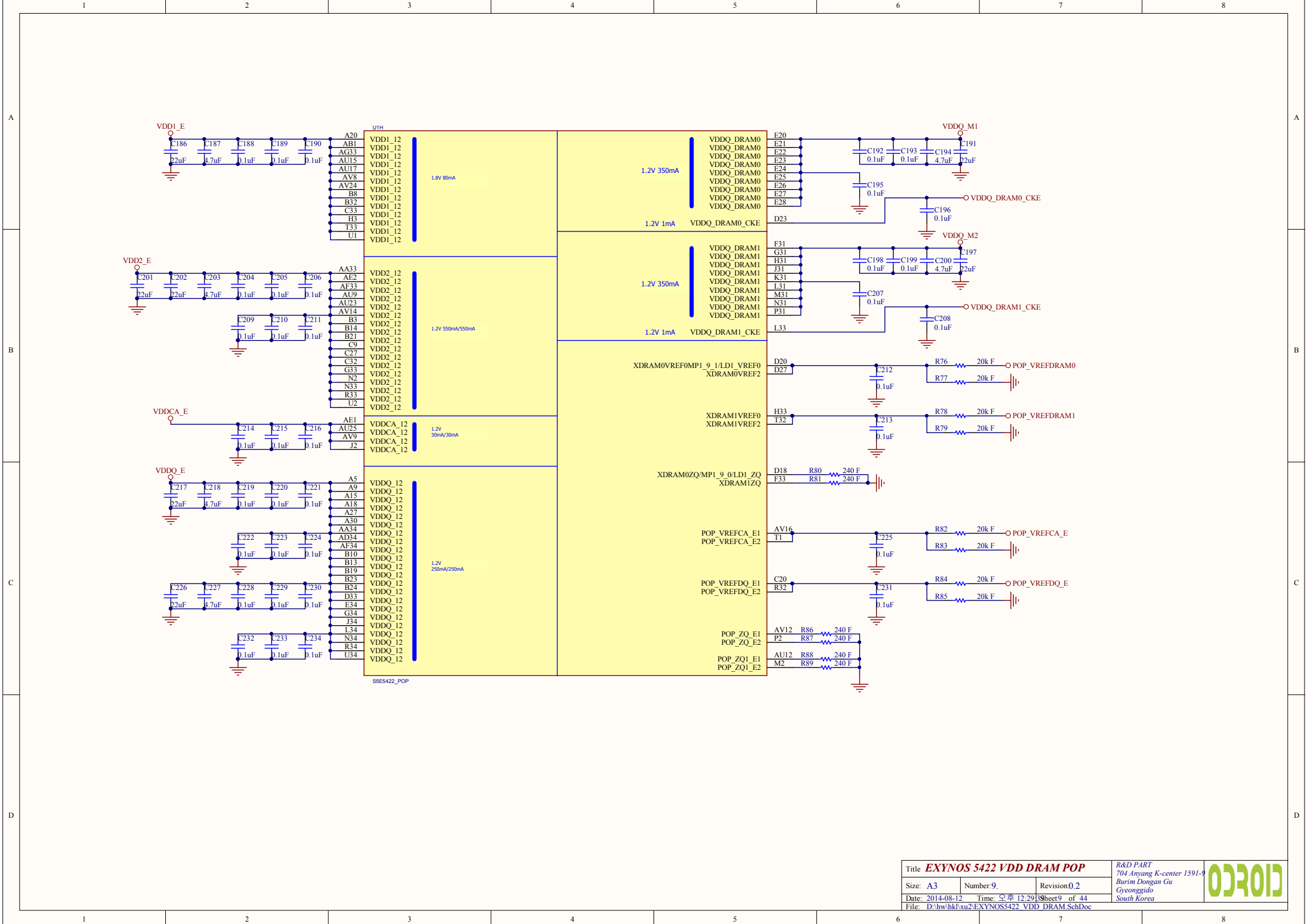
Date: 2014-08-12

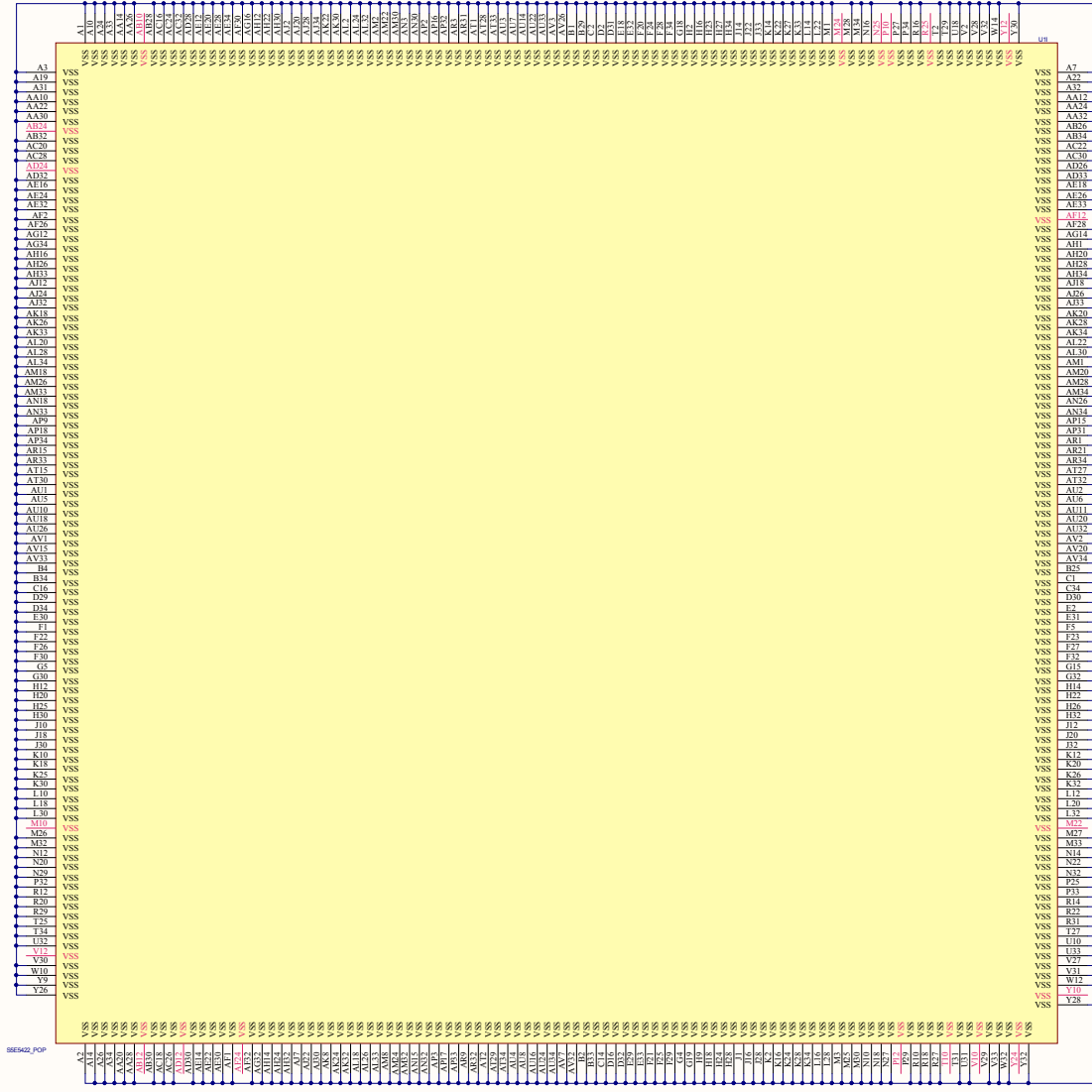
Time: 오후 12:29:39 Sheet 8 of 44

File: D:\hw\hkl\xu2\EXYNOS5422_MMC_UFS.SchDoc

R&D PART
704 Anyang K-center 1591-9
Burim Dongan Gu
Gyeonggido
South Korea



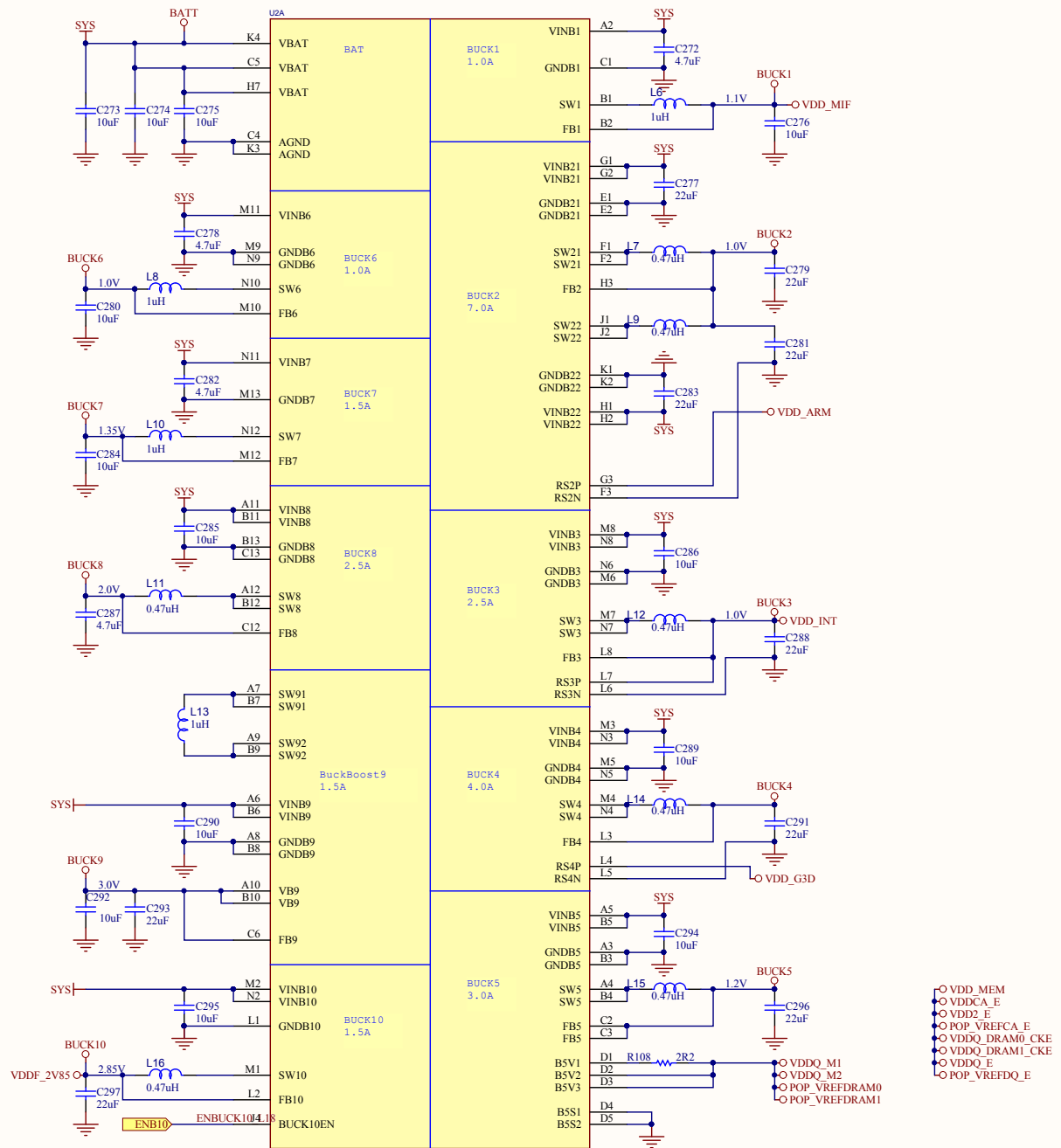




U31			
Y22	NC0	NC39	AA13
Y20	NC1	NC40	AA15
Y19	NC2	NC41	AA16
Y18	NC3	NC42	AA17
Y17	NC4	NC43	AA18
Y16	NC5	NC44	AA19
Y14	NC6	NC45	AA21
W31	NC7	NC46	AB14
W19	NC8	NC47	AB16
W18	NC9	NC48	AB18
W17	NC10	NC49	AB20
W16	NC11	NC50	AB22
W15	NC12	NC51	AC13
W13	NC13	NC52	AC15
W22	NC14	NC53	AC17
W20	NC15	NC54	AC19
W19	NC16	NC55	AC21
W18	NC17	NC56	AD14
W17	NC18	NC57	AD16
W16	NC19	NC58	AD18
W15	NC20	NC59	AD20
W14	NC21	NC60	AD22
W13	NC22	NC61	R14
W12	NC23	NC62	R15
W11	NC24	NC63	R17
W10	NC25	NC64	R19
W9	NC26	NC65	R21
W8	NC27	NC66	T14
W7	NC28	NC67	T16
W6	NC29	NC68	AF16
W5	NC30	NC69	P28
W4	NC31	NC70	AF18
W3	NC32	NC71	P14
W2	NC33	NC72	P25
W1	NC34	NC73	AF20
W0	NC35	NC74	P16
W31	NC36	NC75	AF14
W30	NC37	NC76	AF22
W29	NC38	NC77	P18

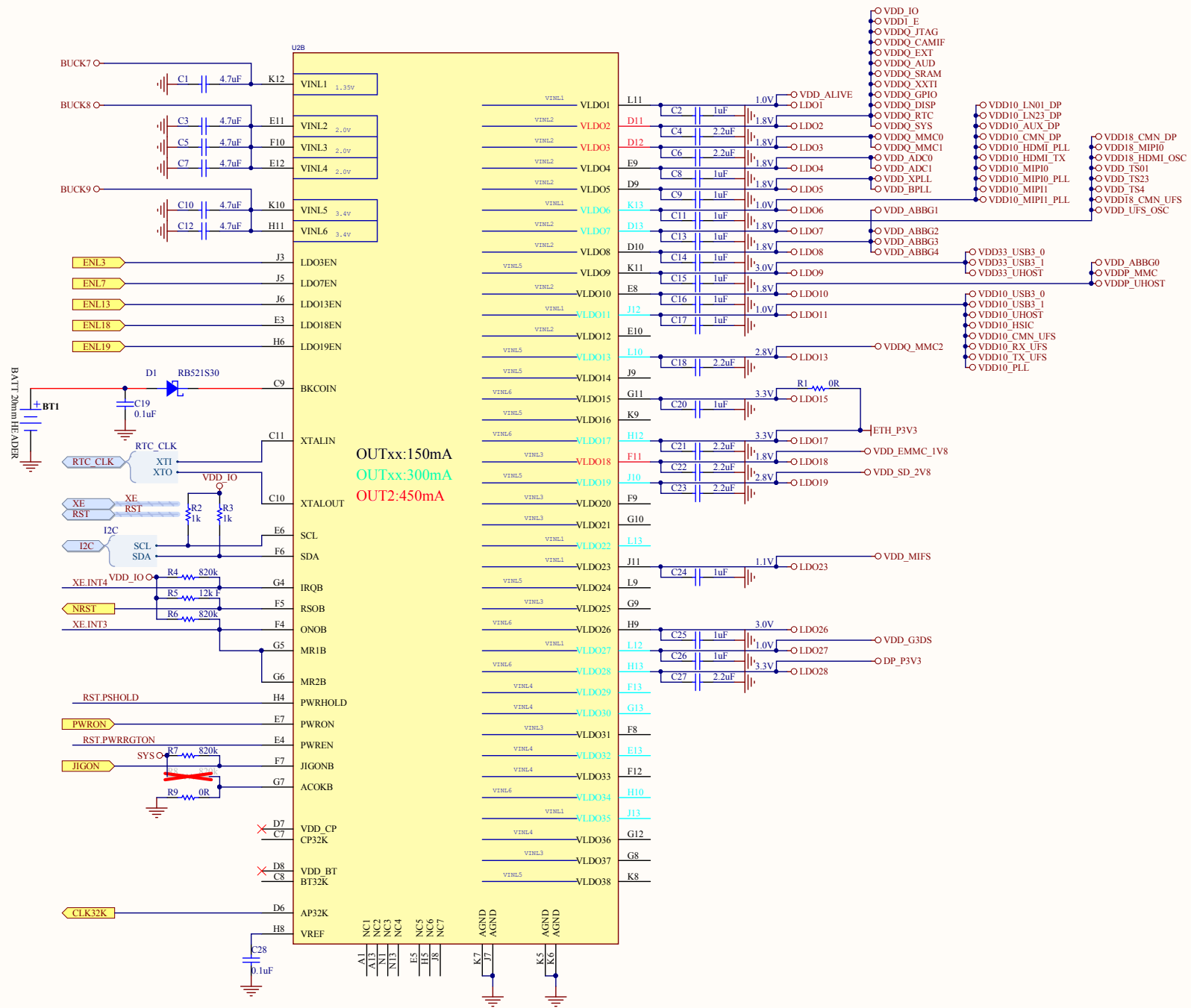
BSE422_POP





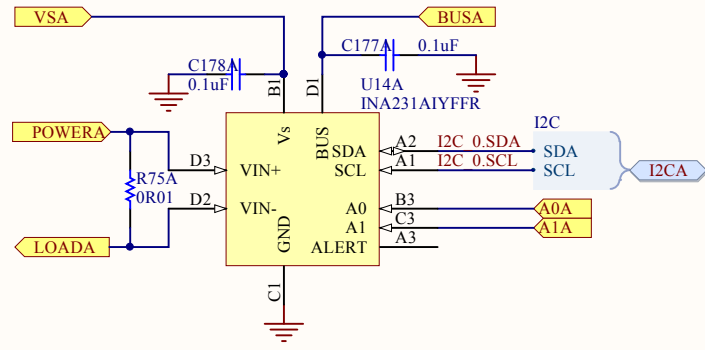
S2MPS11B 4TH
I2C ADDR : 0xCC(FR) 0x0C(RTC)

- VDD MEM
- VDDCA_E
- VDD2_E
- POP_VREFCA_E
- VDDQ_DRAM0_CKE
- VDDQ_DRAM1_CKE
- VDDQ_E
- POP_VREFDQ_E

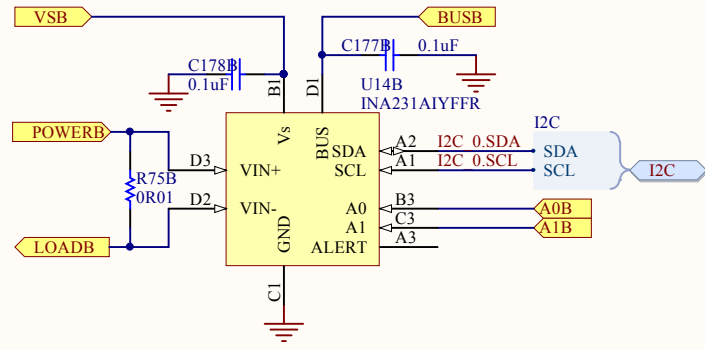


S2MPS11X_8
 I2C ADDR : 0xCC(7F) 0x0C(RTC)

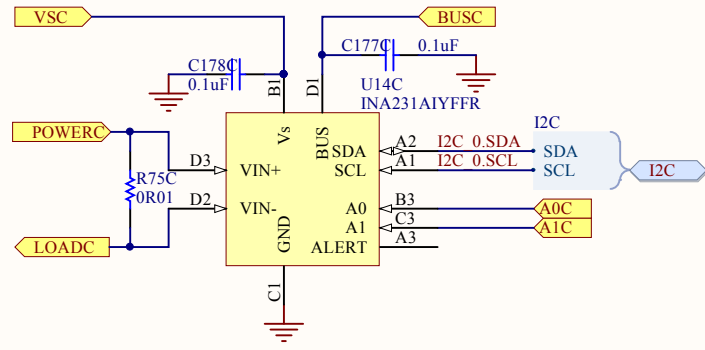




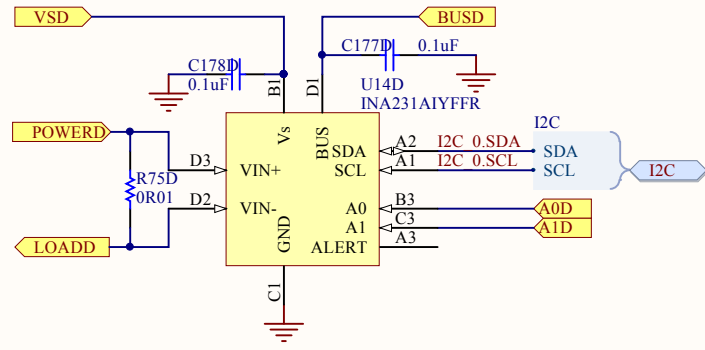
Title Current Sensor			Hardkernel Co.,LTD. 704 Anyang K-center 1591-5 Burim, Dongangu, Anyang Kyeonggido South Korea
Size: A4	Number:14.1	Revision:0.2	
Date: 2014-08-12	Time: 오후 12:29:48	Sheet 14. bf 44	
File: D:\hw\hkl\xu2\INA231.SchDoc			



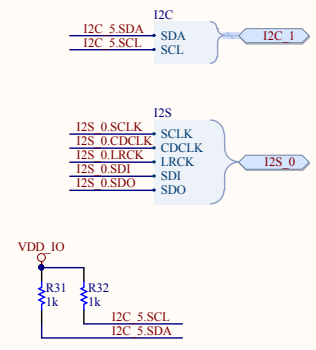
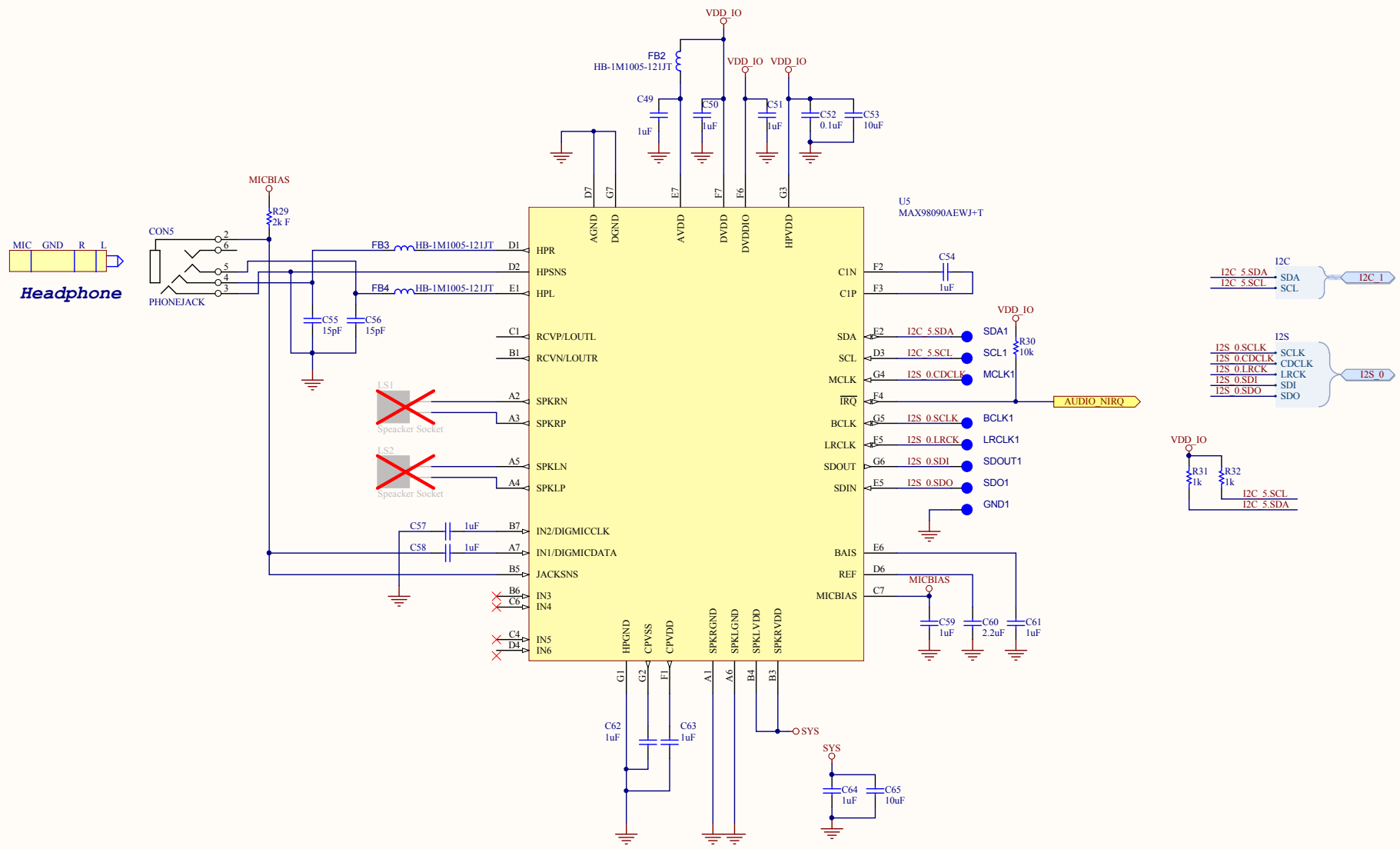
Title Current Sensor			Hardkernel Co.,LTD. 704 Anyang K-center 1591-5 Burim, Dongangu, Anyang Kyeonggido South Korea
Size: A4	Number:14.2	Revision:0.2	
Date: 2014-08-12	Time: 오후 12:29:48	Sheet 14.2 of 44	
File: D:\hw\hkl\xu2\INA231.SchDoc			

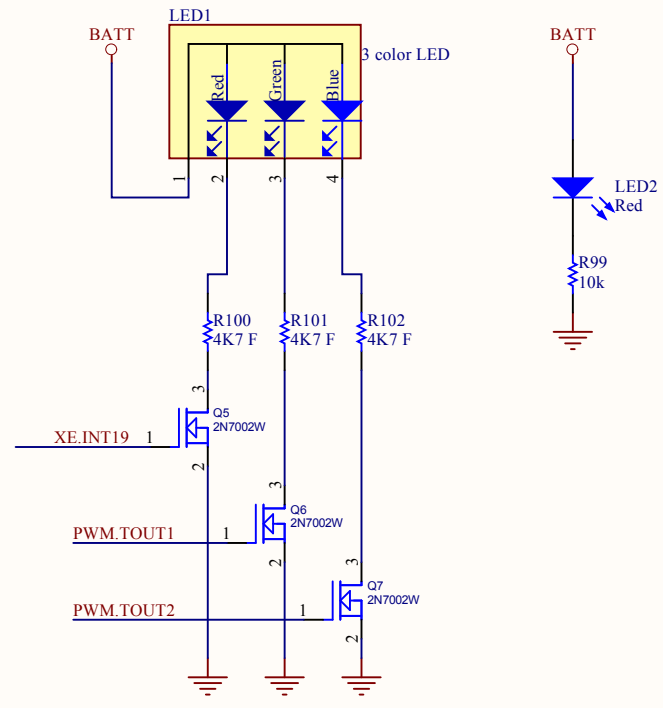


Title Current Sensor			Hardkernel Co.,LTD. 704 Anyang K-center 1591-5 Burim, Dongangu, Anyang Kyeonggido South Korea
Size: A4	Number:14.3	Revision:0.2	
Date: 2014-08-12	Time: 오후 12:29:48	Sheet 14. of 44	
File: D:\hw\hkl\xu2\INA231.SchDoc			

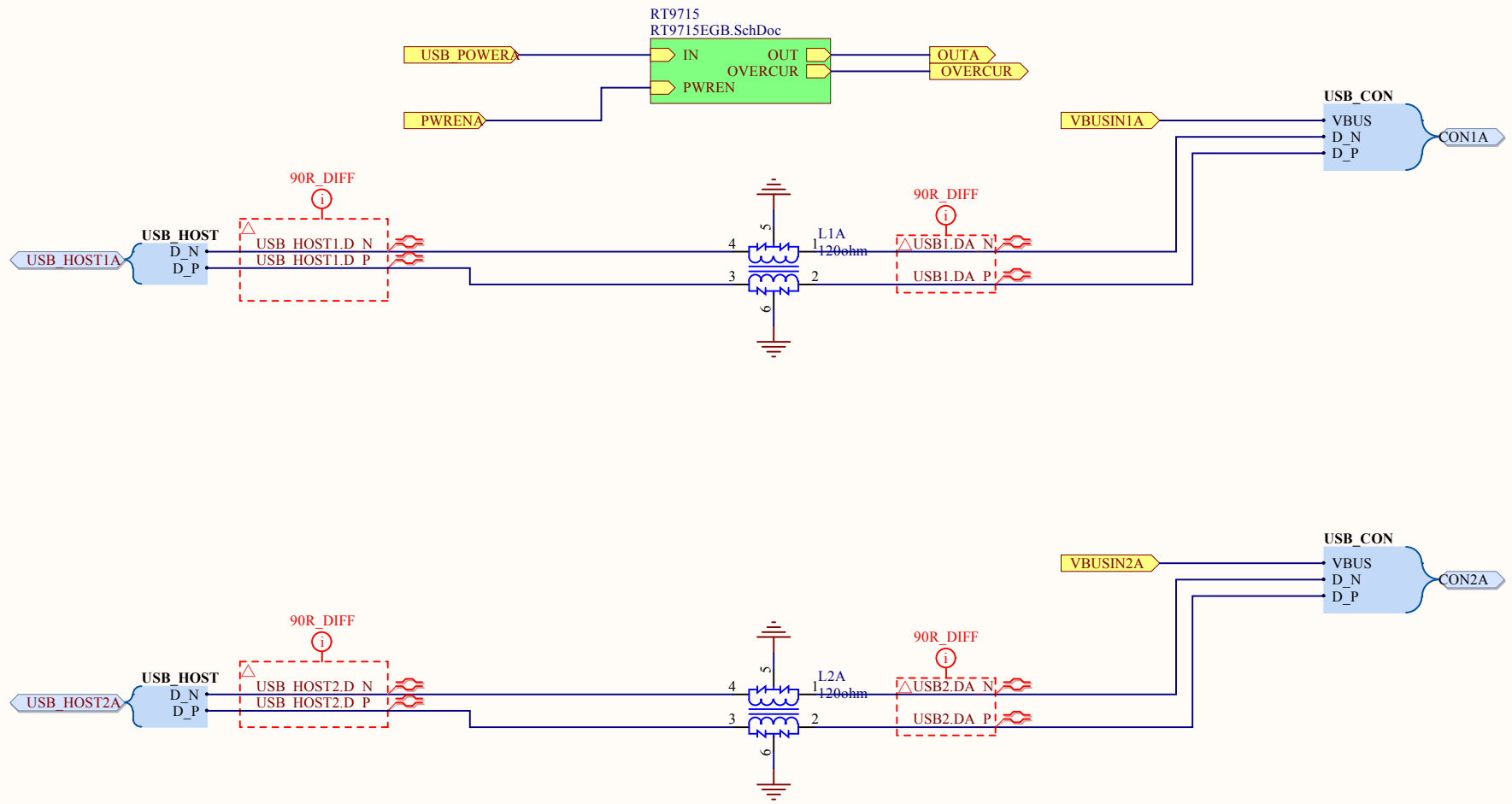



Title Current Sensor			Hardkernel Co.,LTD. 704 Anyang K-center 1591-5 Burim, Dongangu, Anyang Kyeonggido South Korea
Size: A4	Number:14.4	Revision:0.2	
Date: 2014-08-12	Time: 오후 12:29:48	Sheet 14.4 of 44	
File: D:\hw\hkl\xu2\INA231.SchDoc			

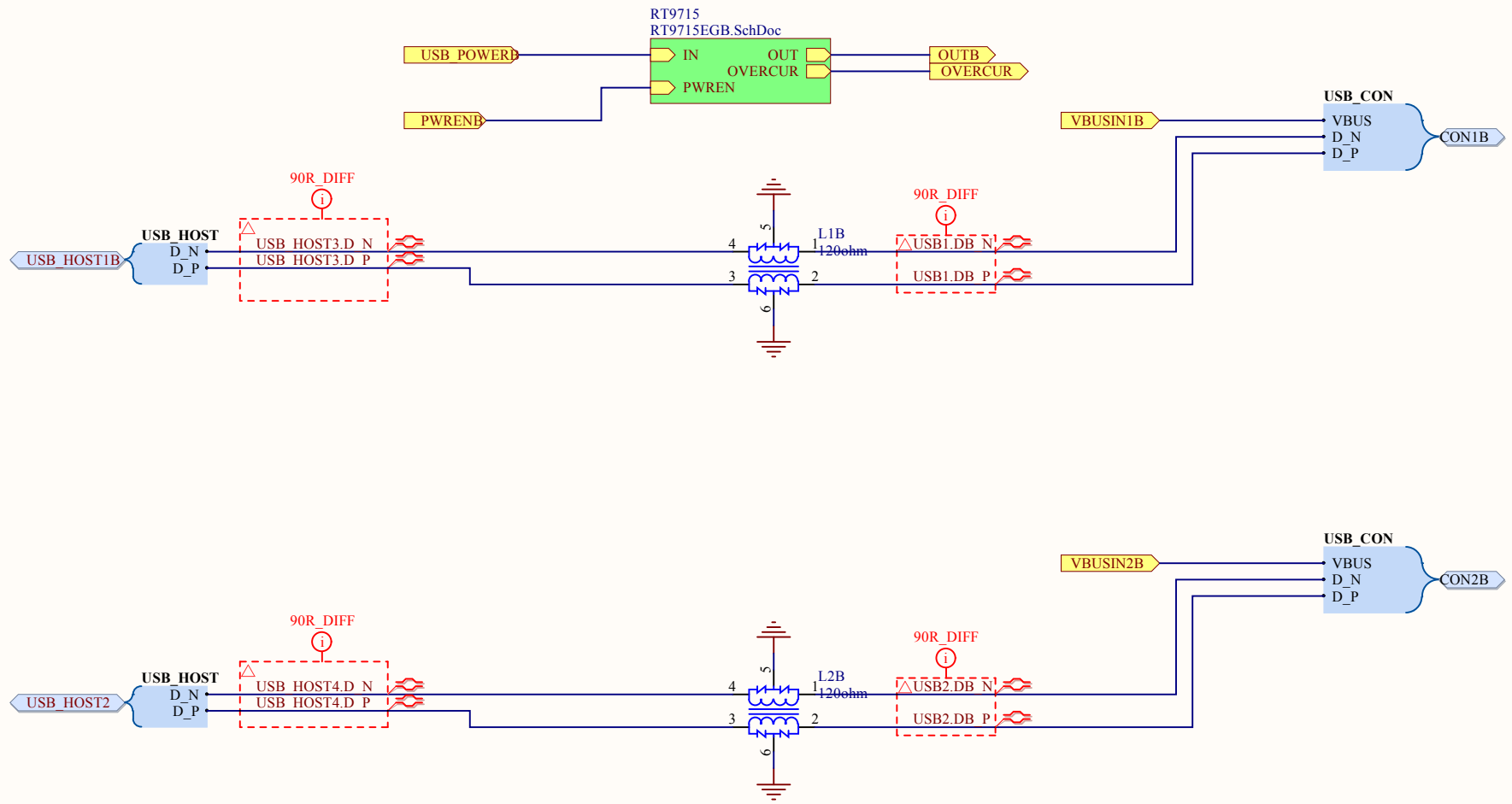





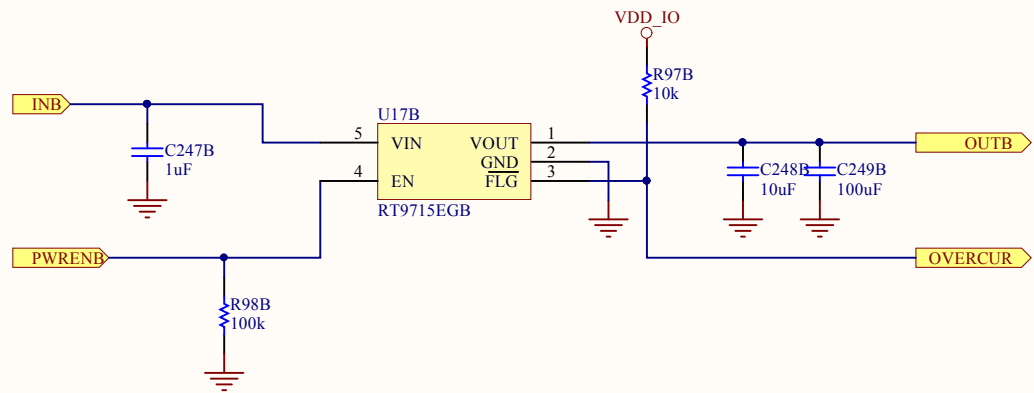
Title LEDs			Hardkernel Co.,LTD. 704 Anyang K-center 1591-9 Burim Dongan Gu Gyeonggido South Korea	
Size: A4	Number:16.	Revision:0.2		
Date: 2014-08-12	Time: 오후 12:29:48	Sheet 16 of 44		
File: D:\hw\hkl\xu2\XU_LEDS.SchDoc				




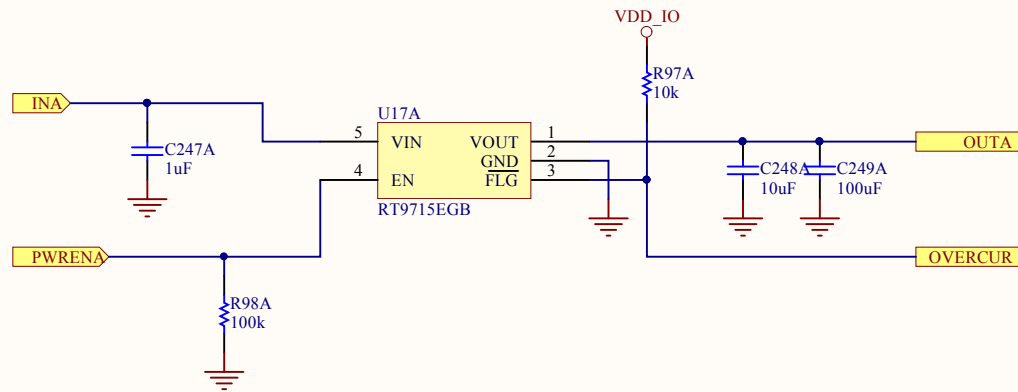
Title USB HOST Power Switch			Hardkernel Co.,LTD. 704 Anyang K-center 1591-9 Burim, Dongangu, Anyang Gyeonggido South Korea	
Size: A4	Number:17.1	Revision:0.2		
Date: 2014-08-12	Time: 오후 12:29:48	Sheet:17. bf 44		
File: D:\hw\hkl\xu2\USB_HOST_PWR_SW_RT9715.SchDoc				



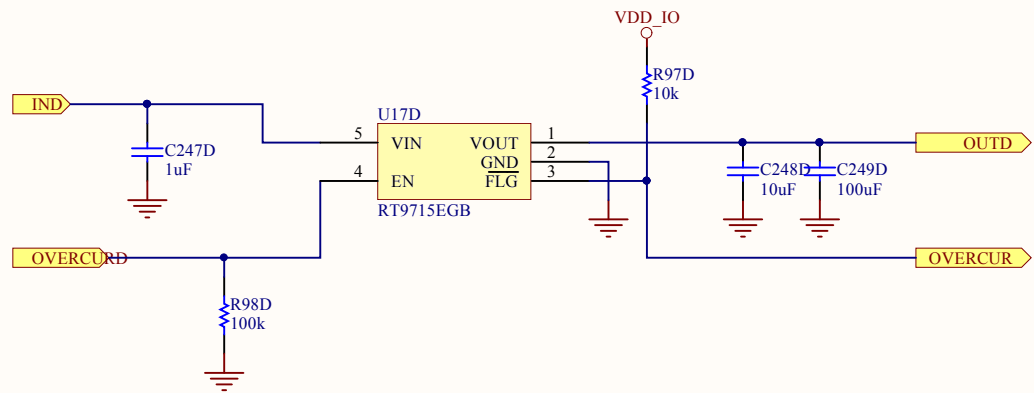
Title USB HOST Power Switch			Hardkernel Co.,LTD. 704 Anyang K-center 1591-9 Burim, Dongangu, Anyang Gyeonggido South Korea	
Size: A4	Number:17.2	Revision:0.2		
Date: 2014-08-12	Time: 오후 12:29:48	Sheet:17 of 44		
File: D:\hw\hkl\xu2\USB_HOST_PWR_SW_RT9715.SchDoc				



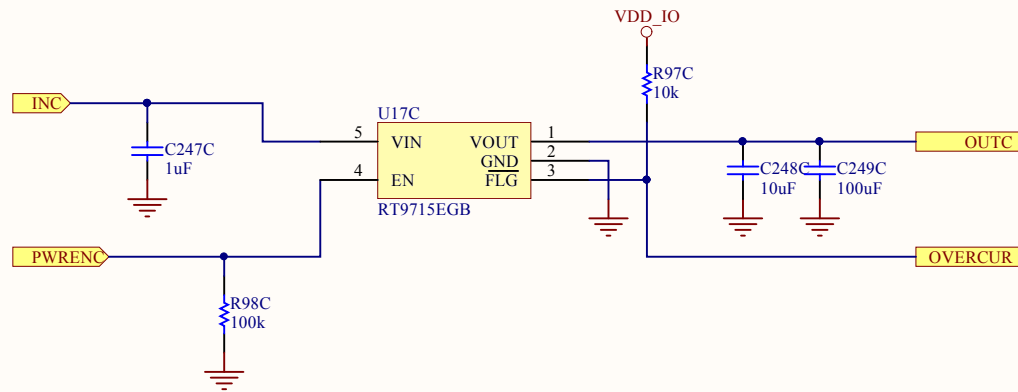
Title USB HOST Power Switch			Hardkernel Co.,LTD. 704 Anyang K-center 1591-9 Burim, Dongangu, Anyang Gyeonggido South Korea	
Size: A4	Number:18.1.1	Revision:0.2		
Date: 2014-08-12	Time: 오후 12:29:48	Sheet 18. bfl 44		
File: D:\hw\hkl\xu2\RT9715EGB.SchDoc				



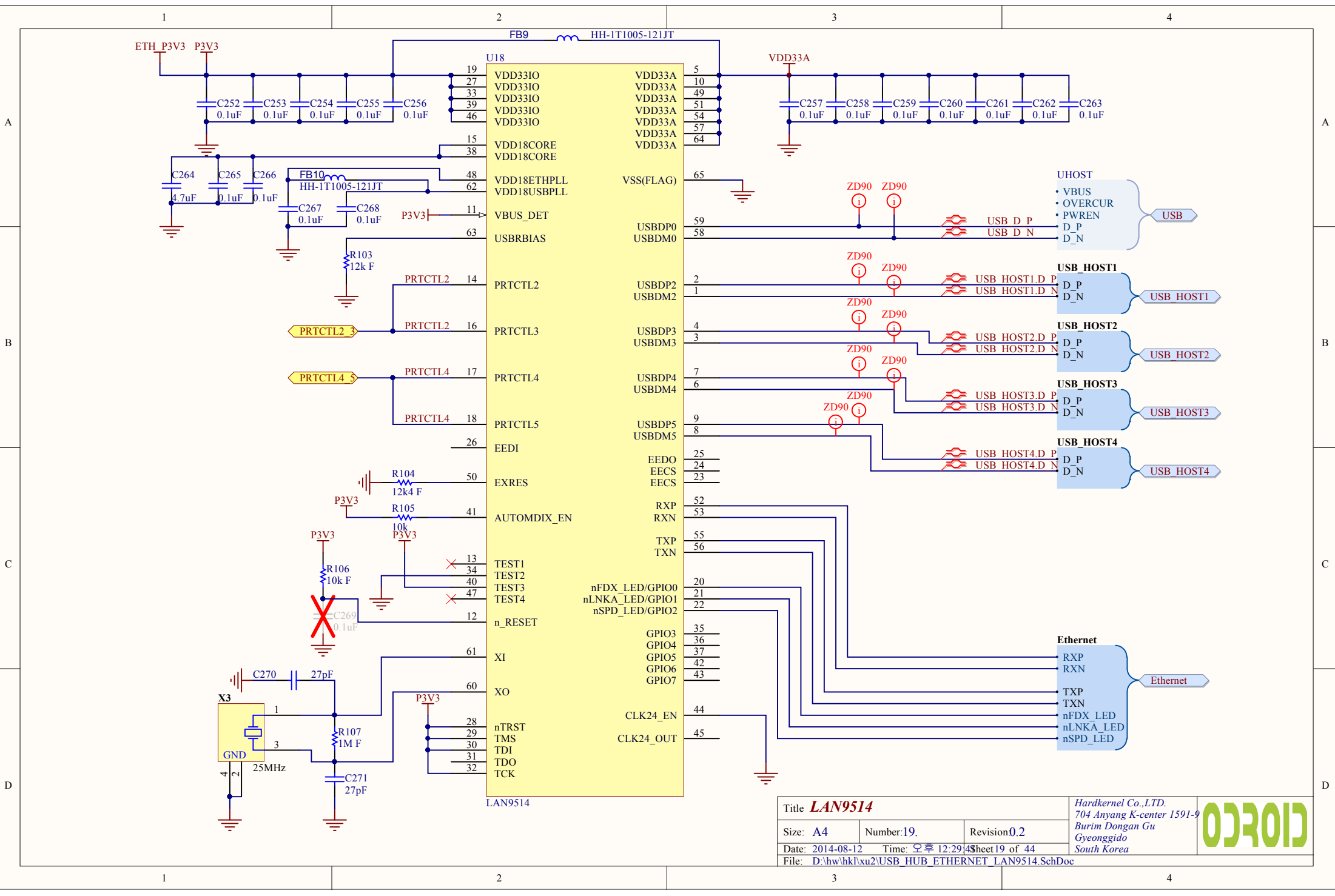
Title USB HOST Power Switch			Hardkernel Co.,LTD. 704 Anyang K-center 1591-9 Burim, Dongangu, Anyang Gyeonggido South Korea	
Size: A4	Number:18.1.1	Revision:0.2		
Date: 2014-08-12	Time: 오후 12:29:48	Sheet 18. bfl 44		
File: D:\hw\hkl\xu2\RT9715EGB.SchDoc				




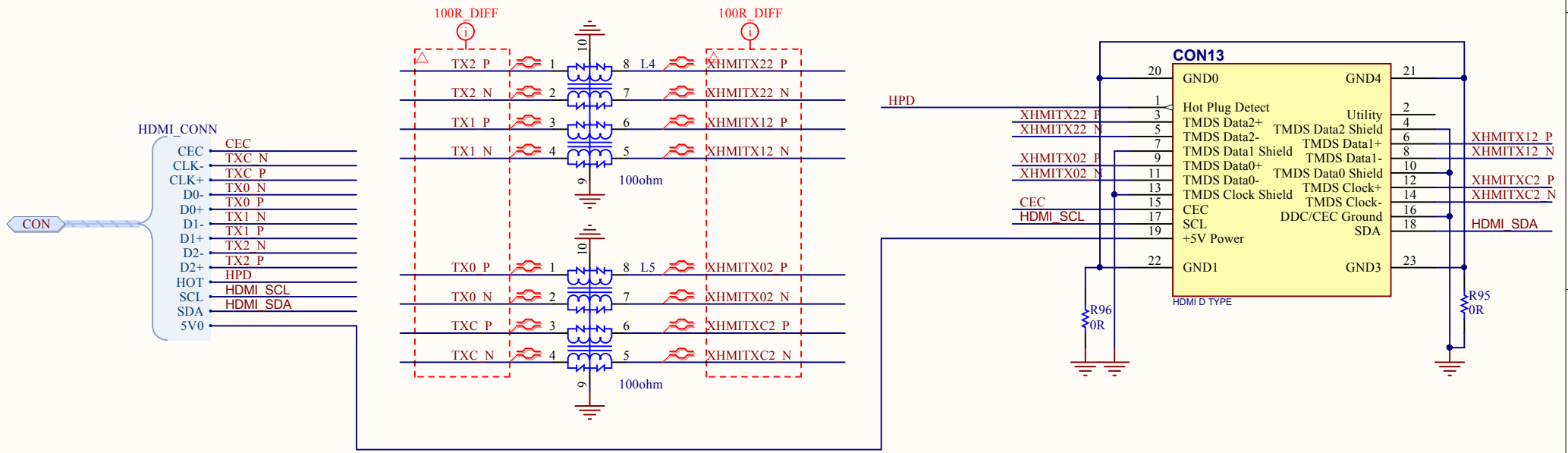
Title USB HOST Power Switch			Hardkernel Co.,LTD. 704 Anyang K-center 1591-9 Burim, Dongangu, Anyang Gyeonggido South Korea	
Size: A4	Number:18.2.1	Revision:0.2		
Date: 2014-08-12	Time: 오후 12:29:48	Sheet 18.2 of 44		
File: D:\hw\hkl\xu2\RT9715EGB.SchDoc				




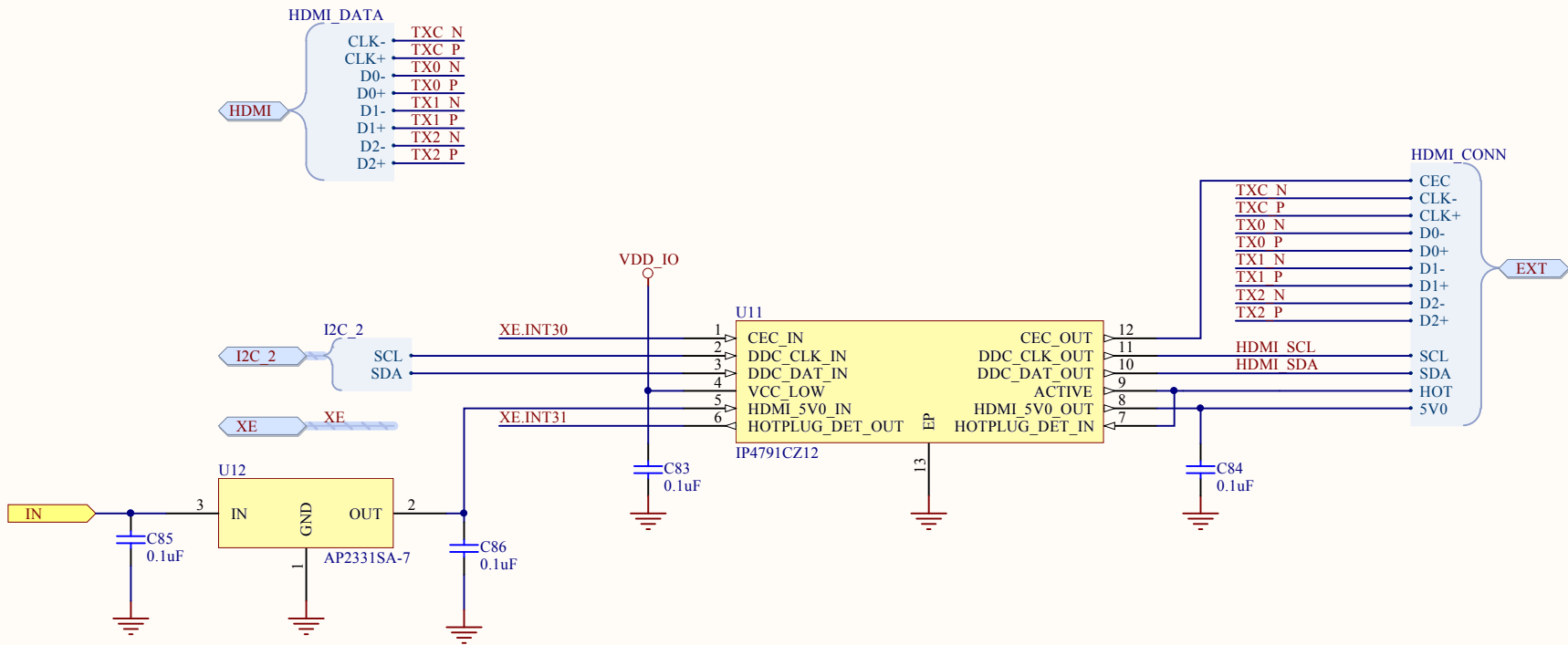
Title USB HOST Power Switch			Hardkernel Co.,LTD. 704 Anyang K-center 1591-9 Burim, Dongangu, Anyang Gyeonggido South Korea	
Size: A4	Number:18.2.1	Revision:0.2		
Date: 2014-08-12	Time: 오후 12:29:48	Sheet 18.2 of 44		
File: D:\hw\hkl\xu2\RT9715EGB.SchDoc				



Title LAN9514			Hardkernel Co.,LTD. 704 Anyang K-center 1591-9 Burim Dongan Gu Gyeonggido South Korea	
Size: A4	Number:19.	Revision:0.2		
Date: 2014-08-12	Time: 오후 12:29:48	Sheet 19 of 44		
File: D:\hw\hkl\xu2\USB_HUB_ETHERNET_LAN9514.SchDoc				

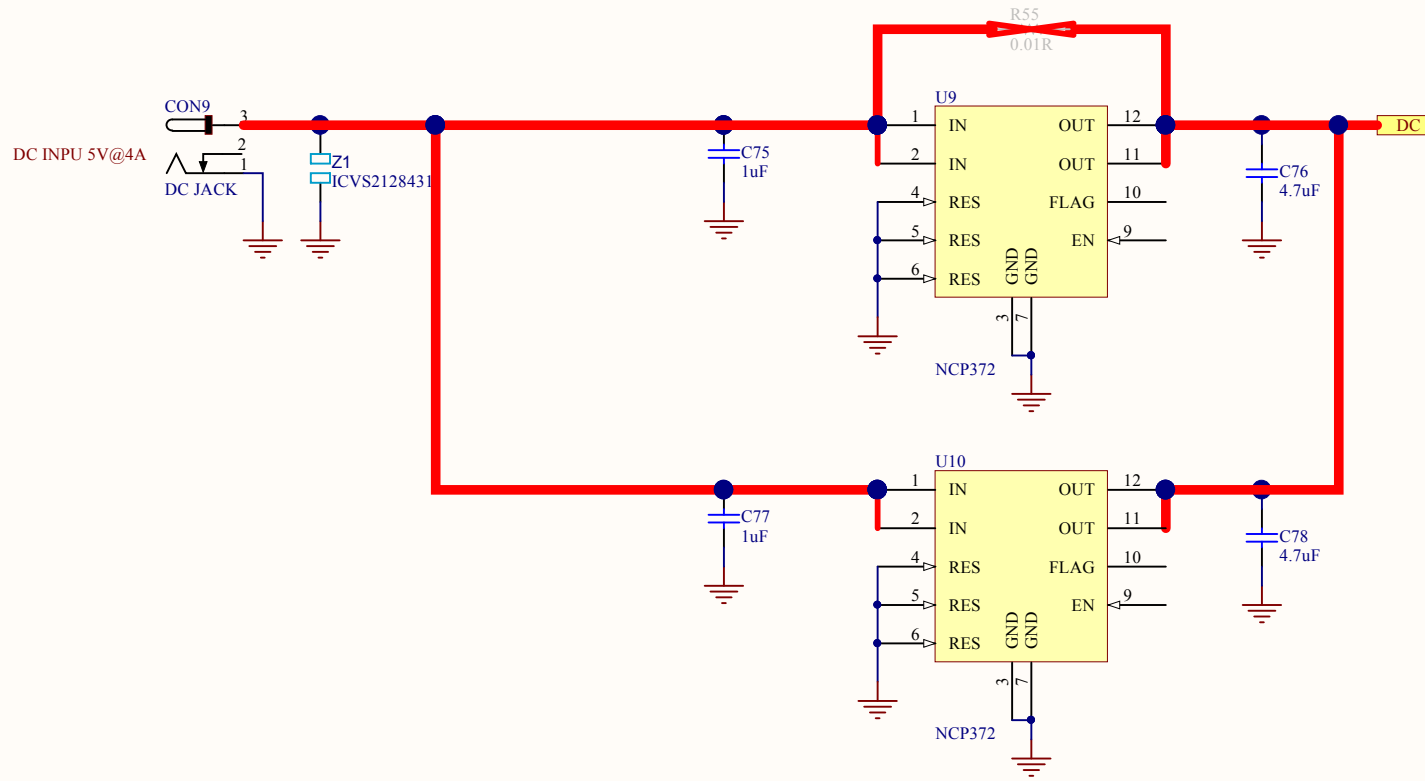



Title Micro HDMI Connector			Hardkernel Co.,LTD. 704 Anyang K-center 1591-5 Burim, Dongangu, Anyang Kyeonggido South Korea	
Size: A4	Number:20.	Revision:0.2		
Date: 2014-08-12	Time: 오후 12:29:43	Sheet:20 of 44		
File: D:\hw\hkl\xu2\CON_HDMI.SchDoc				

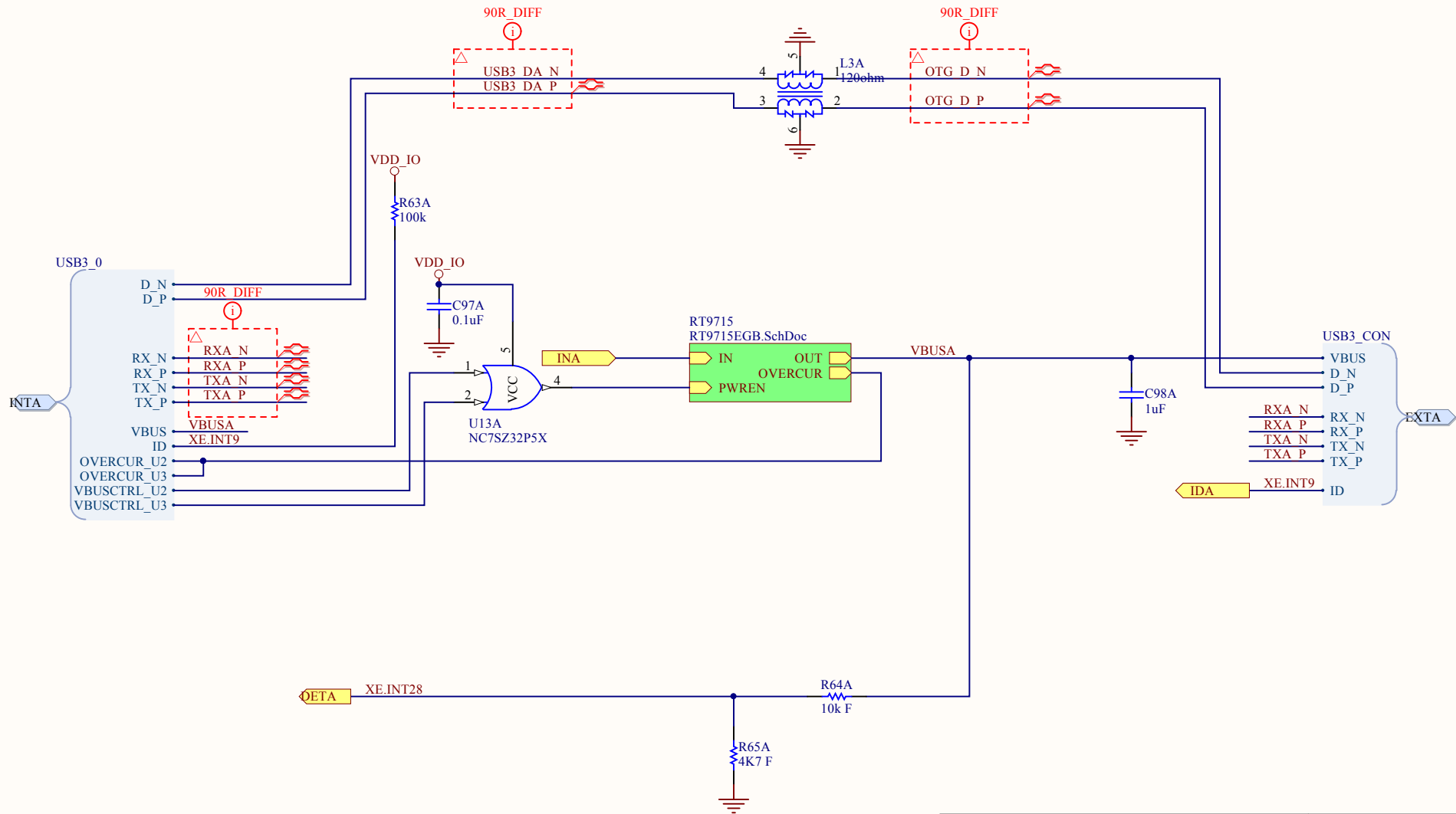


Title HDMI 2C			Hardkernel Co.,LTD. 704 Anyang K-center 1591-5 Burim, Dongangu, Anyang Kyeonggido South Korea
Size: A4	Number:21.	Revision:0.2	
Date: 2014-08-12	Time: 오후 12:29:48	Sheet 21 of 44	
File: D:\hw\hkl\xu2\HDMI_I2C.SchDoc			



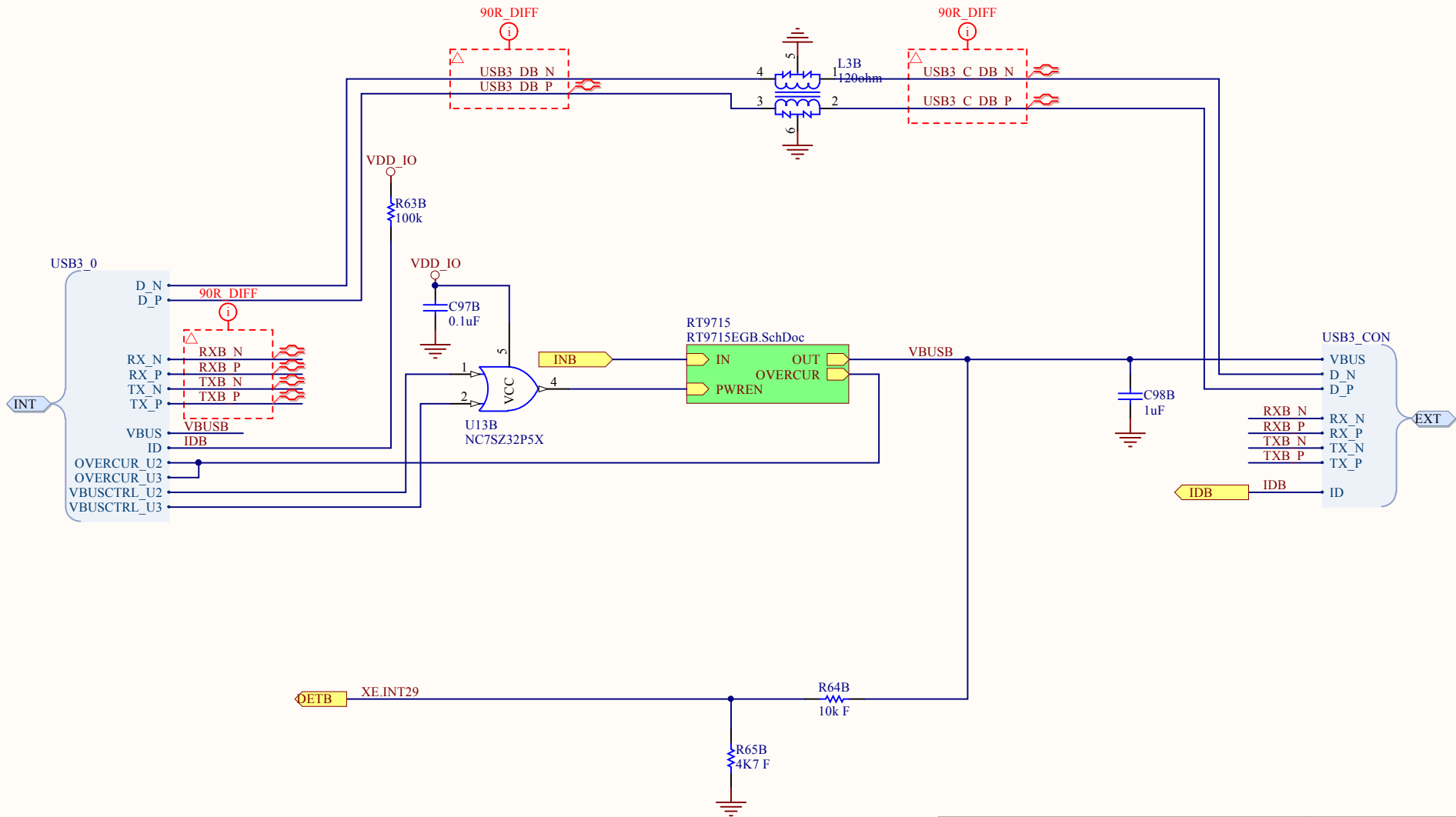



Title DC Jack and Potection IC			Hardkernel Co.,LTD. 704 Anyang K-center 1591-9 Burim, Dongangu, Anyang Gyeonggido South Korea	
Size: A4	Number:22.	Revision:0.2		
Date: 2014-08-12	Time: 오후 12:29:48	Sheet 22 of 44		
File: D:\hw\hkl\xu2\CON_DCJACK.SchDoc				

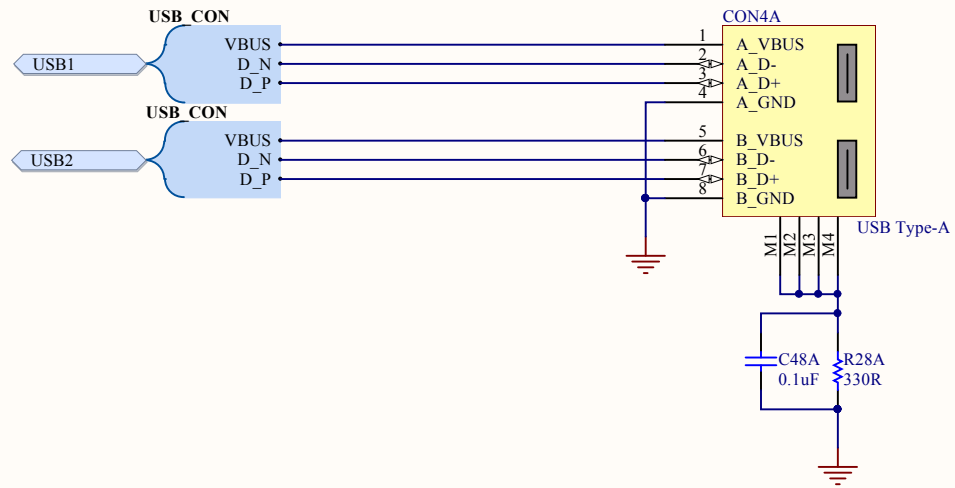



Title USB3 BUS POWER			Hardkernel Co.,LTD. 1-605 Shinan Metrokhan 111 Dalandong, Dongangu, Anyang Gyeonggido South Korea
Size: A4	Number:23.1	Revision:0.2	
Date: 2014-08-12	Time: 오후 12:29:48	Sheet:23. bf 44	
File: D:\hw\hkl\xu2\USB3_BUS_PWR.SchDoc			

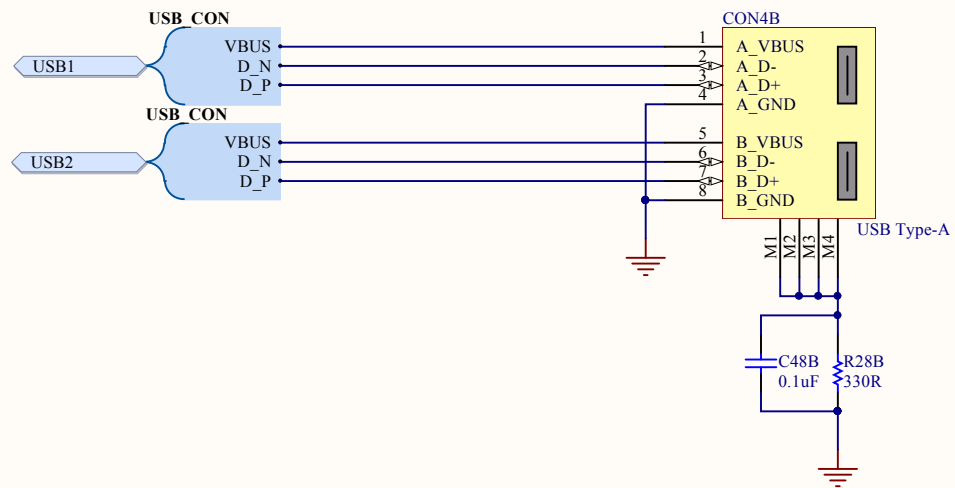





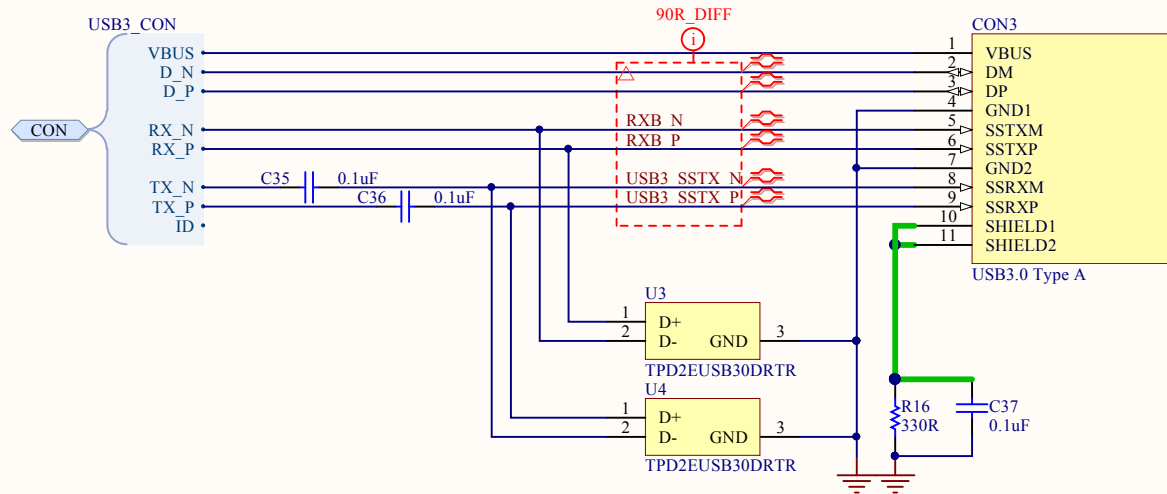
Title USB3 BUS POWER			Hardkernel Co.,LTD. 1-605 Shinan Metrokhan 111 Dalandong, Dongangu, Anyang Gyeonggido South Korea	
Size: A4	Number:23.2	Revision:0.2		
Date: 2014-08-12	Time: 오후 12:29:48	Sheet:23 of 44		
File: D:\hw\hkl\xu2\USB3_BUS_PWR.SchDoc				




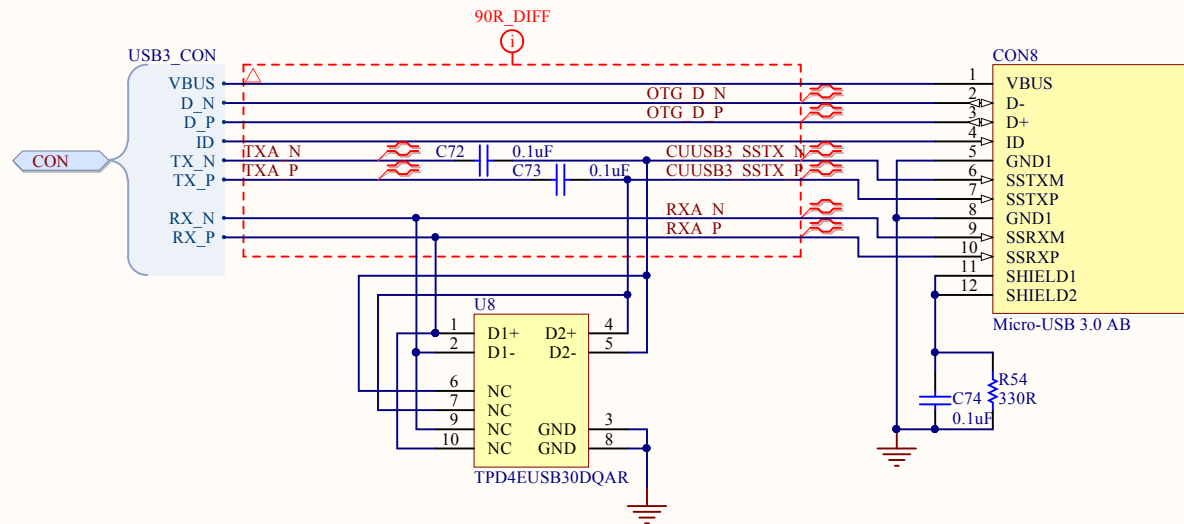
Title USB 2.0 Type A Connector			Hardkernel Co.,LTD. 1-605 Shinan Metrokhan 111 Dalandong, Dongangu, Anyang Gyeonggido South Korea	
Size: A4	Number:24.1	Revision:0.2		
Date: 2014-08-12	Time: 오후 12:29:48	Sheet:24. bf 44		
File: D:\hw\hkl\xu2\CON_USB_RA_DUAL.SchDoc				



Title USB 2.0 Type A Connector			Hardkernel Co.,LTD. 1-605 Shinan Metrokhan 111 Dalandong, Dongangu, Anyang Gyeonggido South Korea	
Size: A4	Number:24.2	Revision:0.2		
Date: 2014-08-12	Time: 오후 12:29:48	Sheet:24 of 44		
File: D:\hw\hkl\xu2\CON_USB_RA_DUAL.SchDoc				



Title USB 3.0 Type A Connector			Hardkernel Co.,LTD. 1-605 Shinan Metrokhan 111, Dalandong, Dongangu, Anyang, Gyeonggido South Korea	
Size: A4	Number:25.	Revision:0.2		
Date: 2014-08-12	Time: 오후 12:29:48	Sheet 25 of 44		
File: D:\hw\hkl\xu2\CON_USB3_RA.SchDoc				



Title Micro USB 3.0 Connector			Hardkernel Co.,LTD. 704 Anyang K-center 1591-5 Burim, Dongangu, Anyang Kyeonggido South Korea	
Size: A4	Number:26.	Revision:0.2		
Date: 2014-08-12	Time: 오후 12:29:48	Sheet:26 of 44		
File: D:\hw\hkl\xu2\CON_USB3_MICROUSB.SchDoc				

1

2

3

4

A

A

B

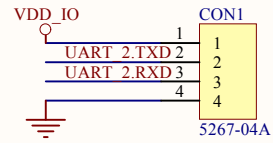
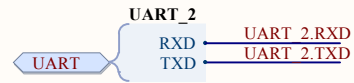
B


C

C

D

D



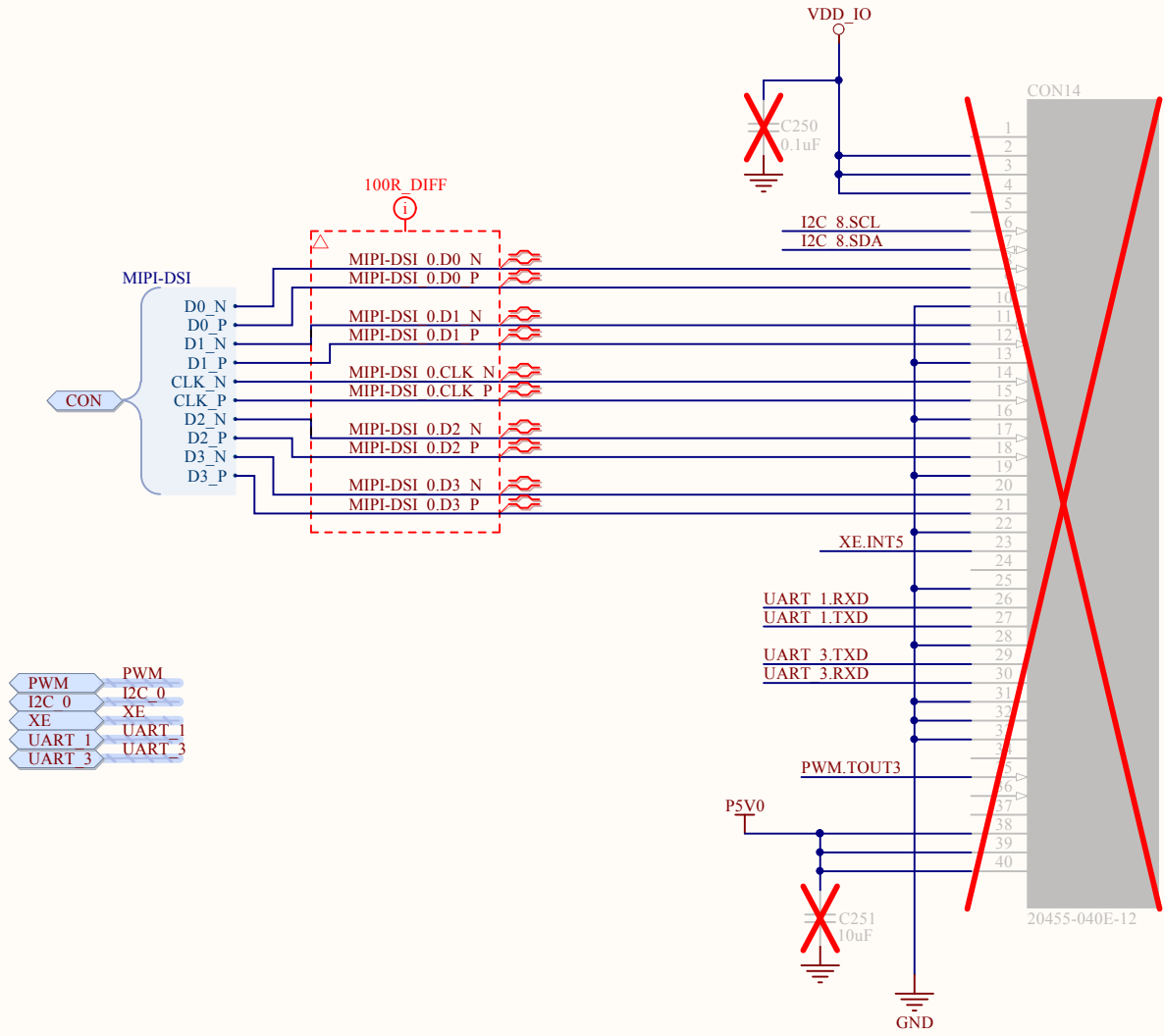
Title CON_UART			Hardkernel Co.,LTD. 704 Anyang K-center 1591-9 Burim, Dongangu, Anyang Gyeonggido South Korea	
Size: A4	Number:27.	Revision:0.2		
Date: 2014-08-12	Time: 오후 12:29:48	Sheet 27 of 44		
File: D:\hw\hkl\xu2\CON_UART.SchDoc				

1


2

3

4



- PWM
- I2C 0
- XE
- UART 1
- UART 3

Title LCD Connector			Hardkernel Co.,LTD. 704 Anyang K-center 1591-5 Burim, Dongangu, Anyang Kyeonggido South Korea	
Size: A4	Number:28.	Revision:0.2		
Date: 2014-08-12	Time: 오후 12:29:48	Sheet 28 of 44		
File: D:\hw\hkl\xu2\CON_LCD_IPEX_20455-040E-12.SchDoc				

1

2

3

4

A

A

B

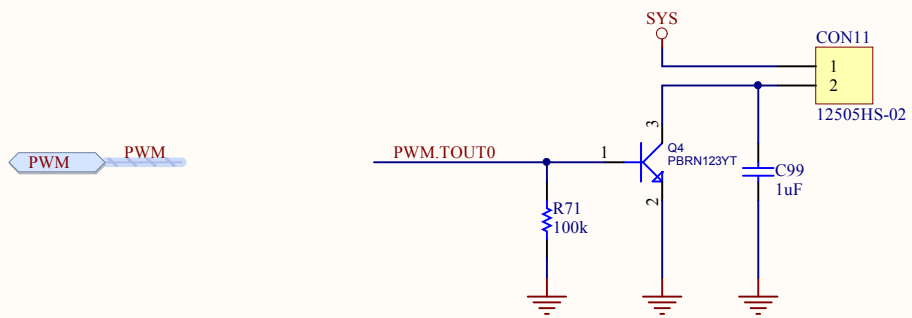
B


C

C

D

D



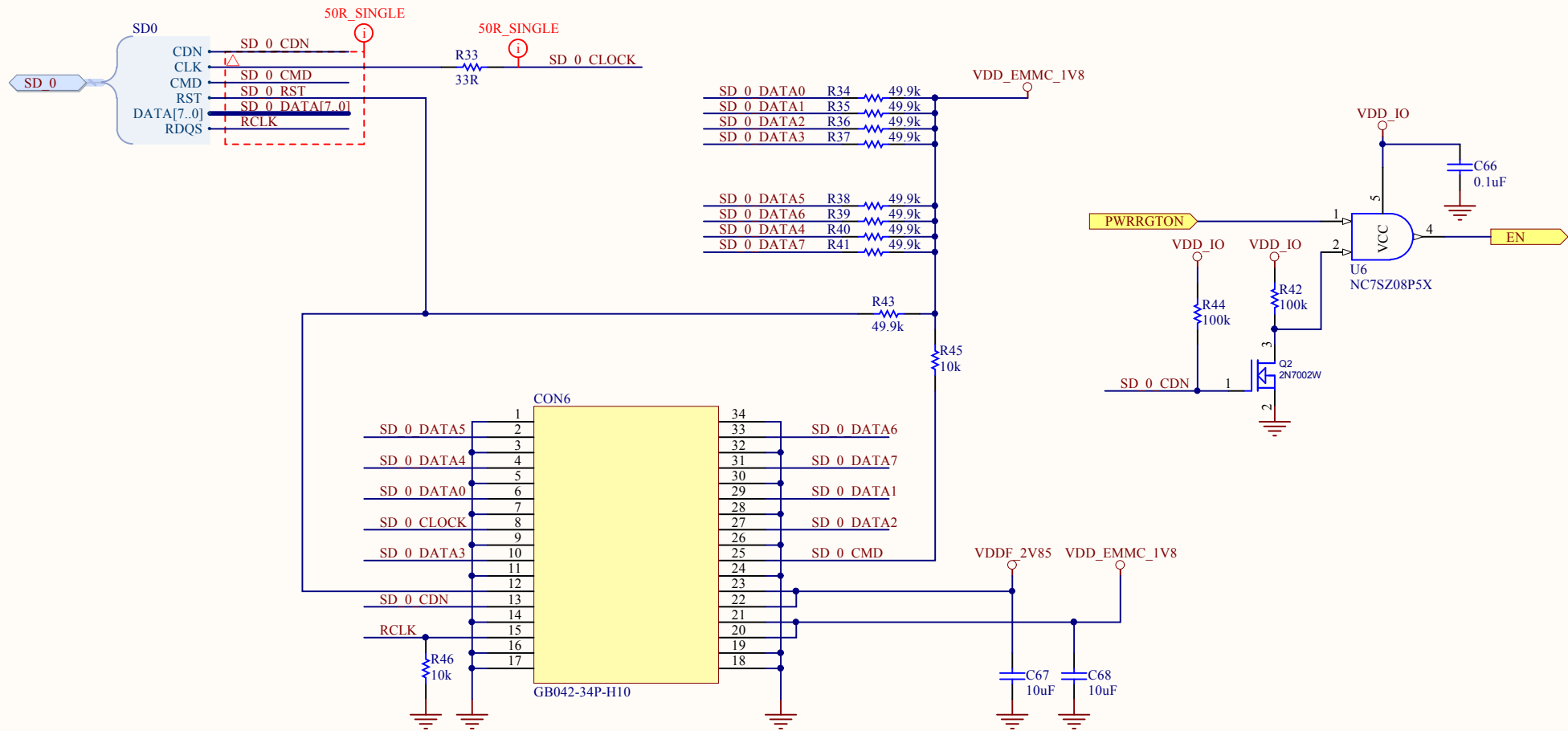
Title FAN Connector			Hardkernel Co.,LTD. 704 Anyang K-center 1591-9 Burim Dongan Gu Gyeonggido South Korea	
Size: A4	Number:29.	Revision:0.2		
Date: 2014-08-12	Time: 오후 12:29:48	Sheet 29 of 44		
File: D:\hw\hkl\xu2\CON_FAN.SchDoc				

1

2

3

4



Title **CON_EMMC**

Size: A4

Number:30.

Revision:0.2

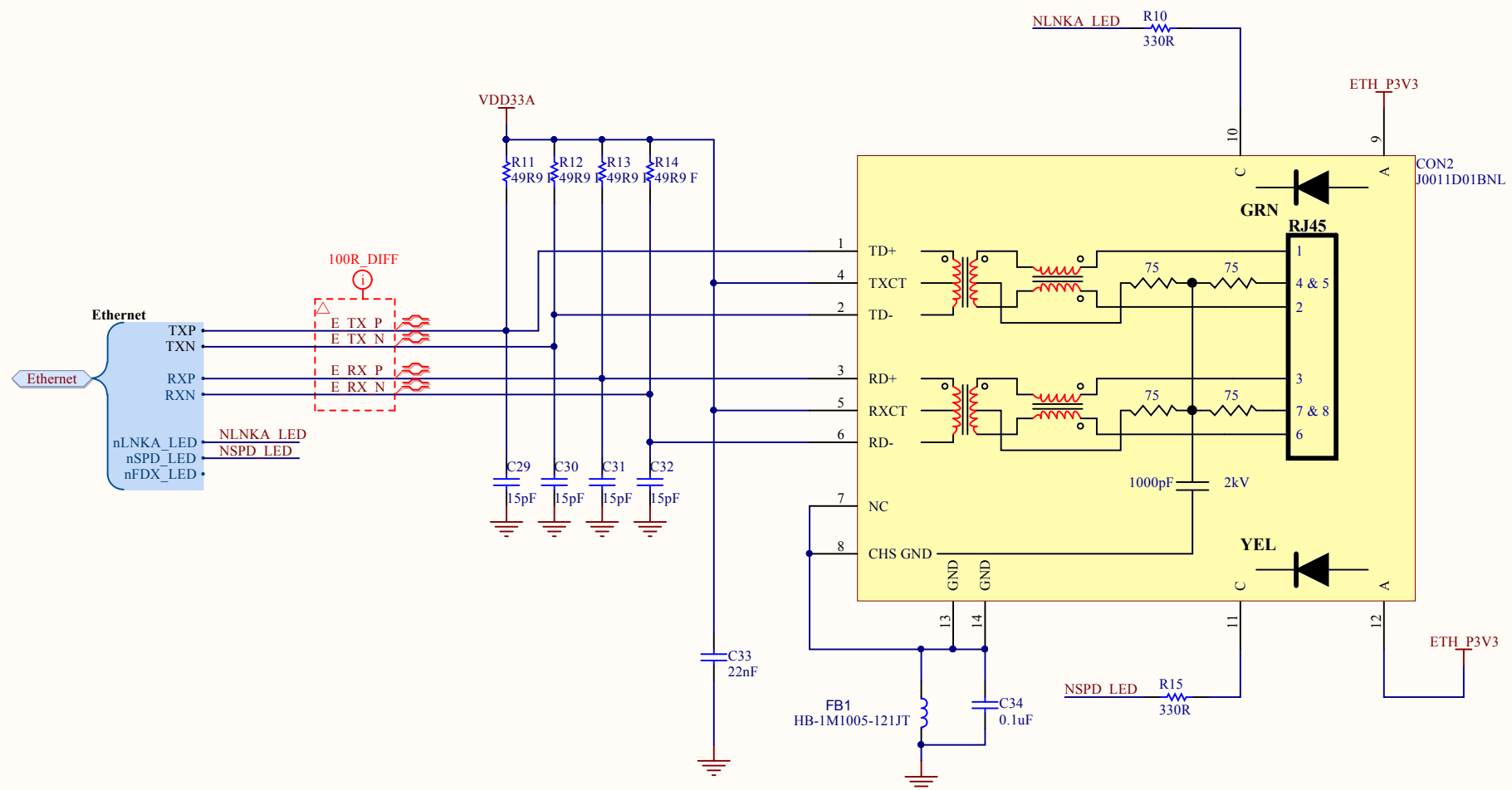
Date: 2014-08-12

Time: 오후 12:29:48 Sheet 30 of 44

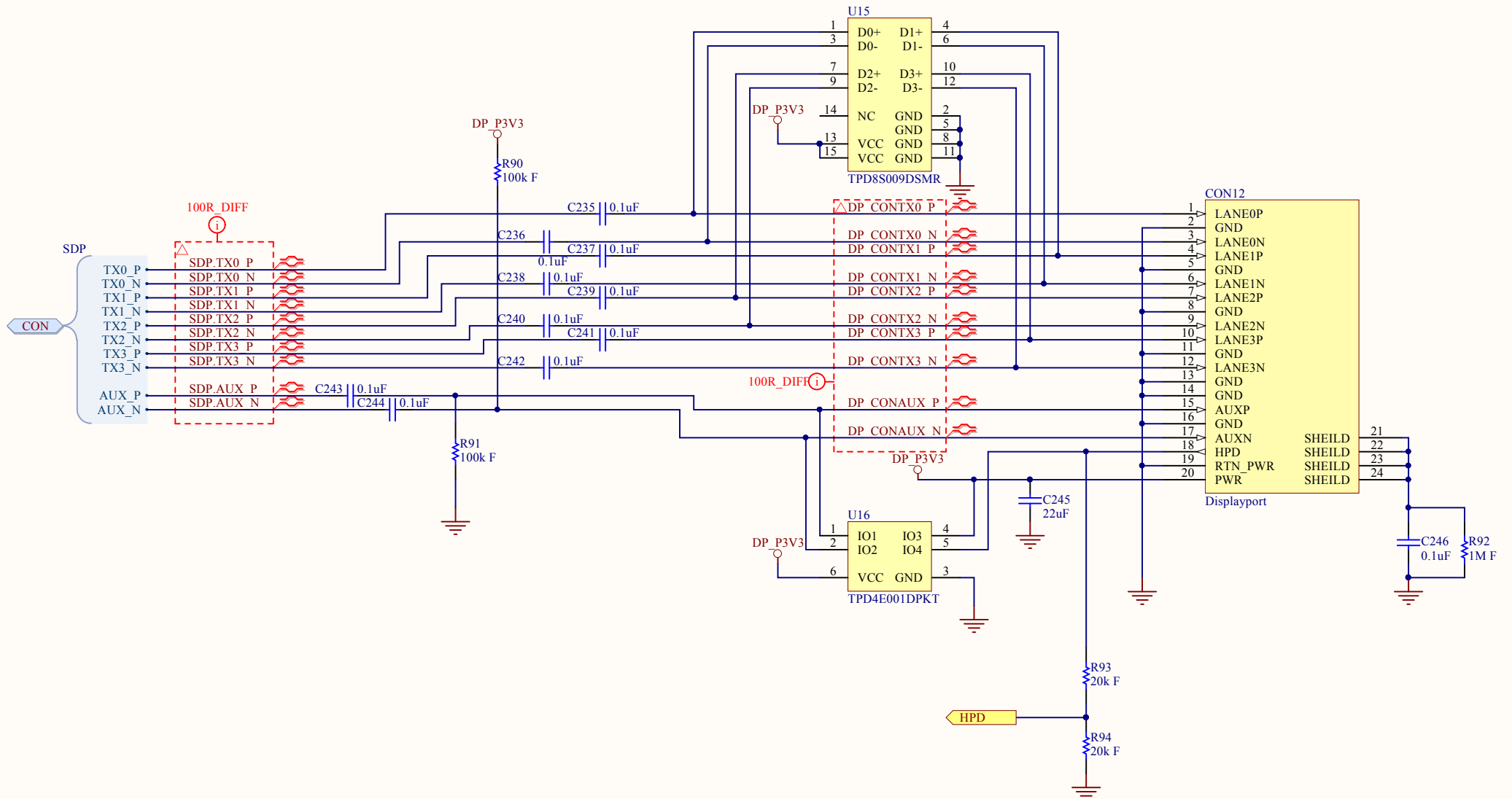
File: D:\hw\hkl\xu2\CON_EMMC.SchDoc

Hardkernel Co.,LTD.
704 Anyang K-center 1591-9
Burim Dongan Gu
Gyeonggido
South Korea

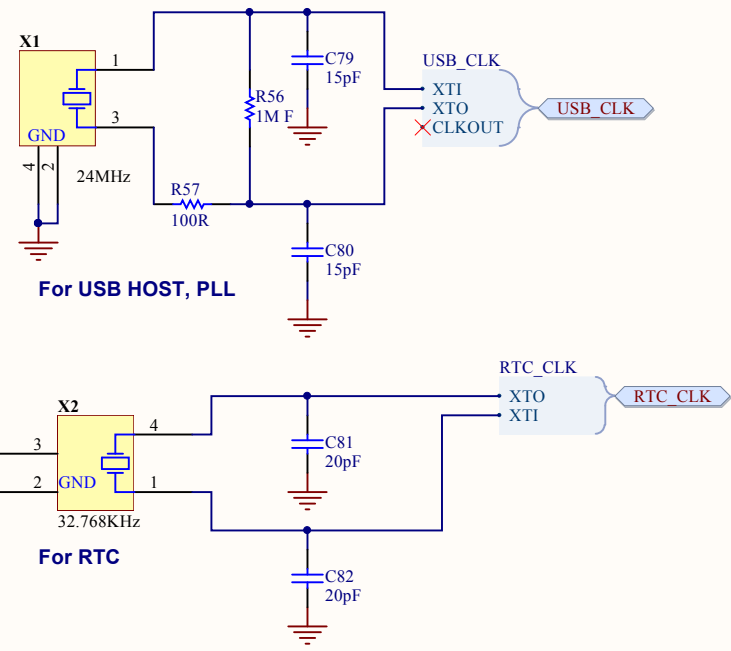




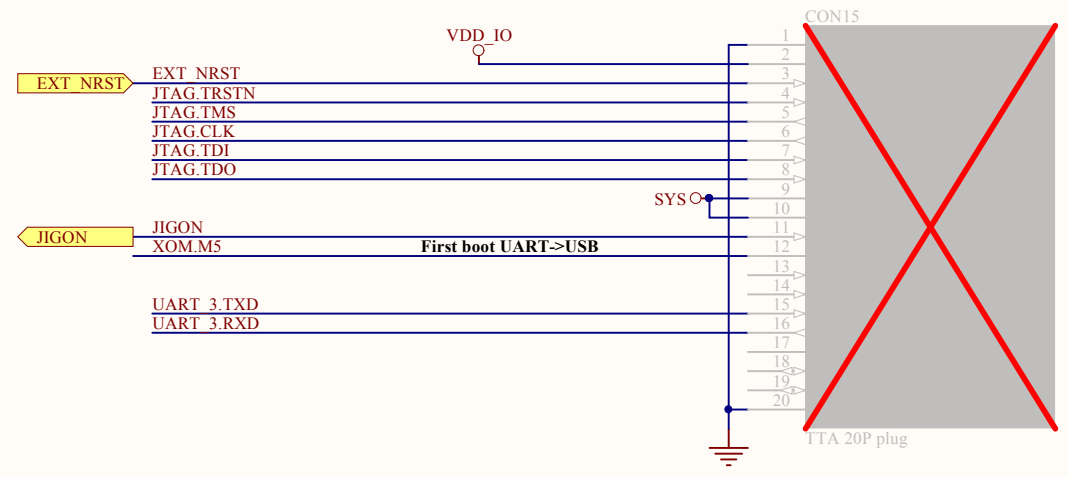
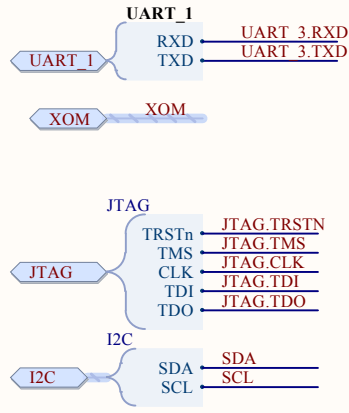
Title Ethernet Connector			Hardkernel Co.,LTD. 704 Anyang K-center 1591-9 Burim, Dongangu, Anyang Gyeonggido South Korea	
Size: A4	Number:32.	Revision:0.2		
Date: 2014-08-12	Time: 오후 12:29:48	Sheet:32 of 44		
File: D:\hw\hkl\xu2\CON_ETHERNET.SchDoc				



Title DisplayPort Connector			Hardkernel Co.,LTD. 704 Anyang K-center 1591-5 Burim, Dongangu, Anyang Kyeonggido South Korea	
Size: A4	Number:33.	Revision:0.2		
Date: 2014-08-12	Time: 오후 12:29:48	Sheet:33 of 44		
File: D:\hw\hkl\xu2\CON_DISPAYPORT.SchDoc				



Title CLK			R&D PART	OSROID
Size: A4	Number:34.	Revision:0.2	704 Anyang K-center 1591-9	
Date: 2014-08-12	Time: 오후 12:29:48	Sheet 34 of 44	Burim Dongan Gu	
File: D:\hw\hkl\xu2\CLK.SchDoc			Gyeongido South Korea	



Title TTA20P Connector			Hardkernel Co.,LTD. 704 Anyang K-center 1591-5 Burim, Dongangu, Anyang Kyeonggido South Korea	
Size: A4	Number:35.	Revision:0.2		
Date: 2014-08-12	Time: 오후 12:29:48	Sheet:35 of 44		
File: D:\hw\hkl\xu2\CON_TTA20.SchDoc				