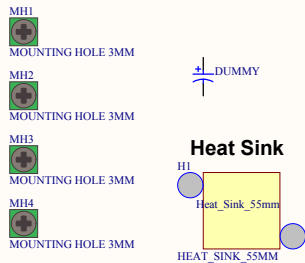
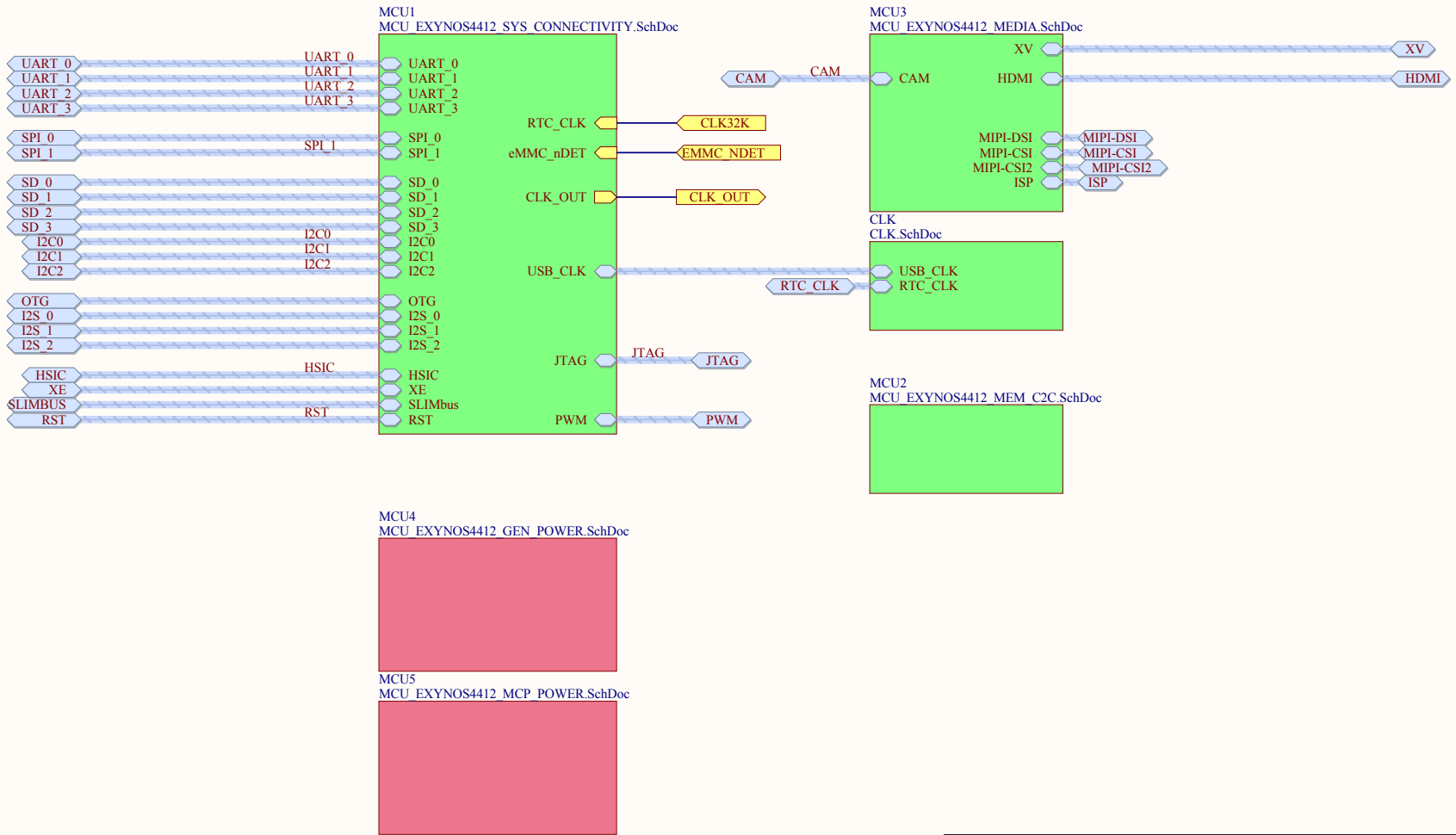



Mounting Holes

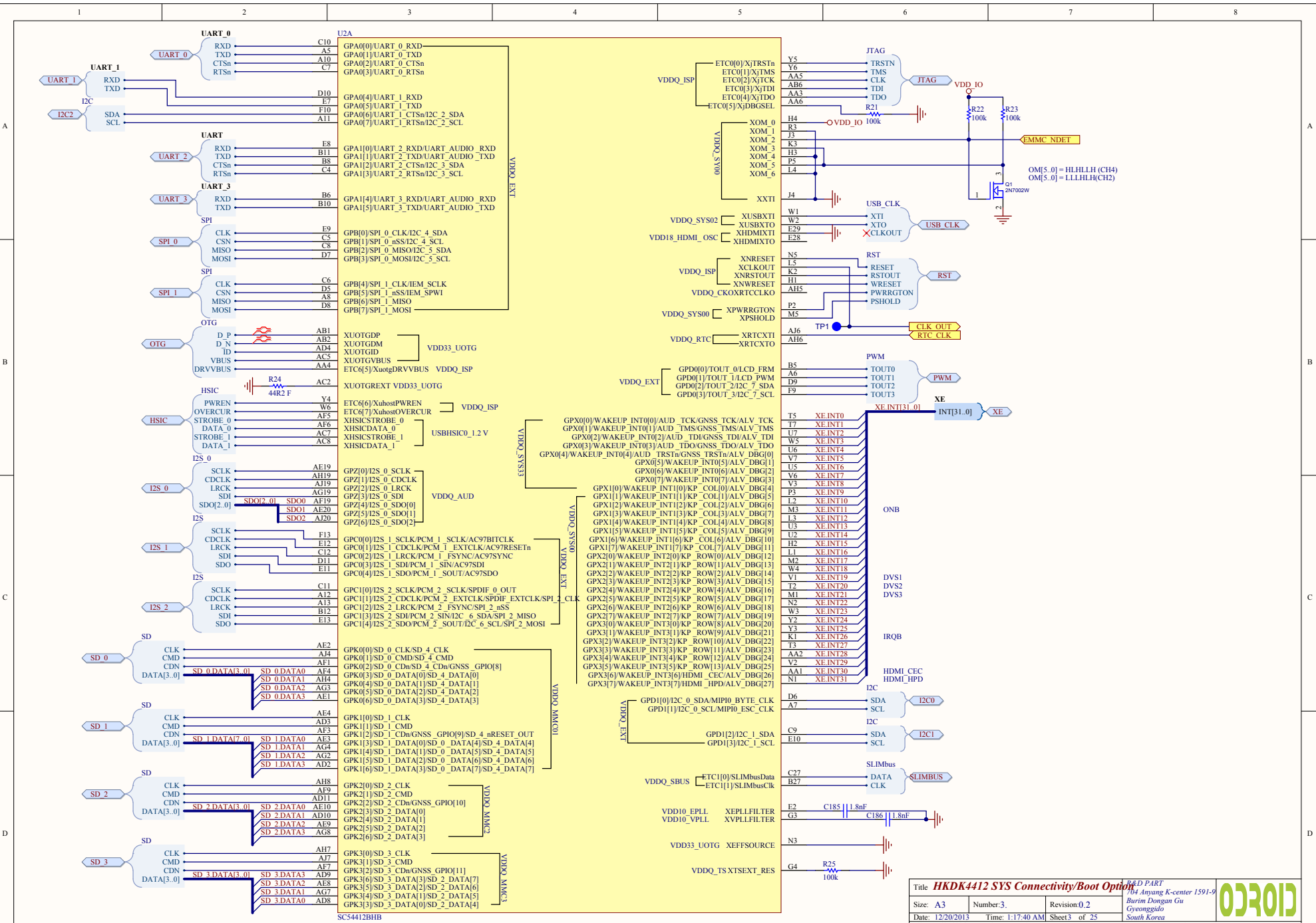


Title U3-MAIN			Hardkernel Co.,LTD.	
Size: A3			704 Anyang K-center 1591-9	
Number.1		Revision.0.2		Birim, Dongganga, Anyang
Date: 12/20/2013		Time: 1:17:40 AM		Gyeonggido
File: D:\hw\hkl\pegasus\U3-MAIN\U3-MAIN.SchDoc		Sheet 1 of 25		South Korea



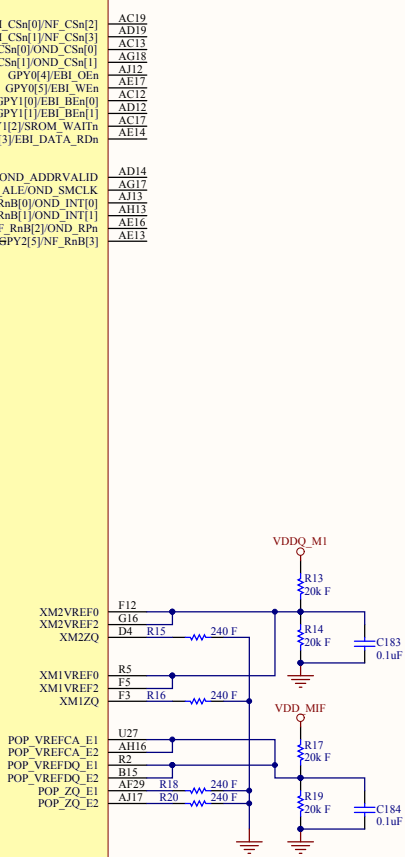
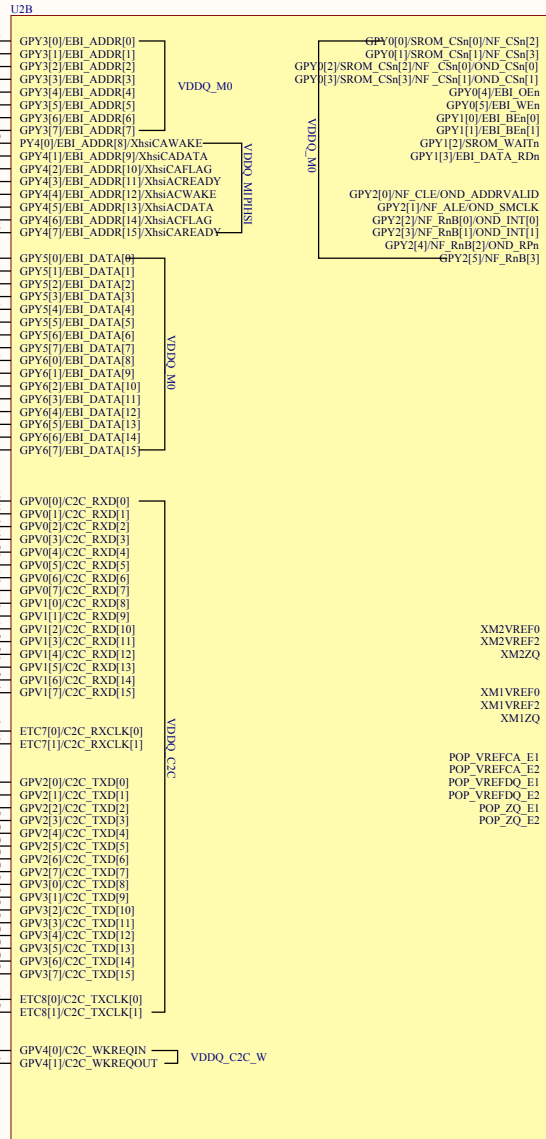


Title MCU EXYNOS4412			R&D PART 704 Anyang K-center 1591-9 Burim Dongan Gu Gyeonggido South Korea	
Size: A4	Number: 2	Revision: 0.2		
Date: 12/20/2013	Time: 1:17:40 AM	Sheet2 of 25		
File: D:\hw\hkl\pegasus\U3-MAIN\MCU_EXYNOS4412.SchDoc				

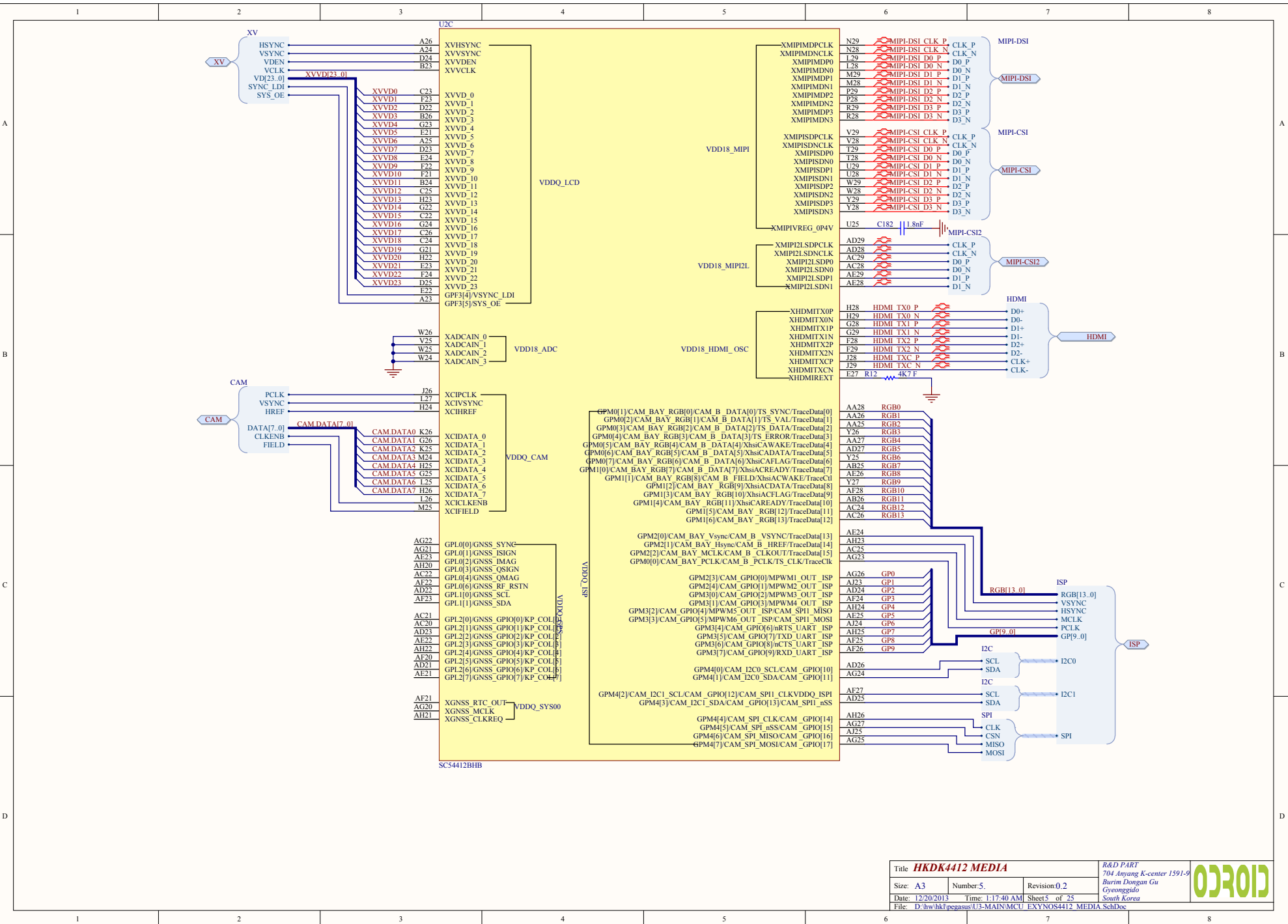


Title HKDK4412 SYS Connectivity/Boot Option		Rev. D PART	
Size: A3		Number: 3	Revision: 0.2
Date: 12/20/2013	Time: 1:17:40 AM	Sheet: 3 of 25	Barin Dongan Gu Gyeonggi-do South Korea
File: D:\hw\hdk\pegasus\U3-MAIN\MCU_EXYN0S4412 SYS CONNECTIVITY_SchDoc			



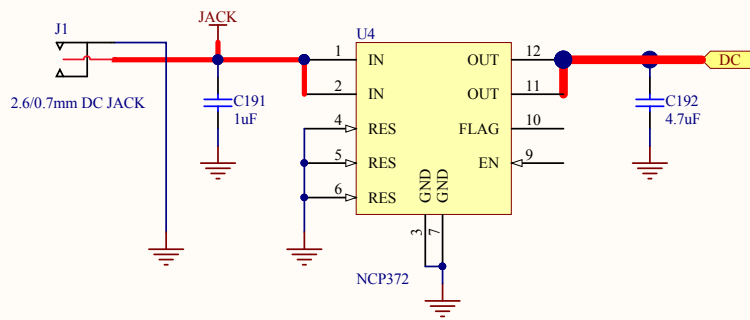


Title HKDK4412 MEM/C2C			R&D PART	ANDROID
Size: A3	Number.4	Revision.0.2	704 Anyang K-center 1591-9	
Date: 12/20/2013	Time: 1:17:40 AM	Sheet4 of 25	Burin Dongan Gu	
File: D:\hw\hkl\pegasus\U3-MAIN\MCU_EXYNOS4412 MEM_C2C.SchDoc			Gyeongjido	

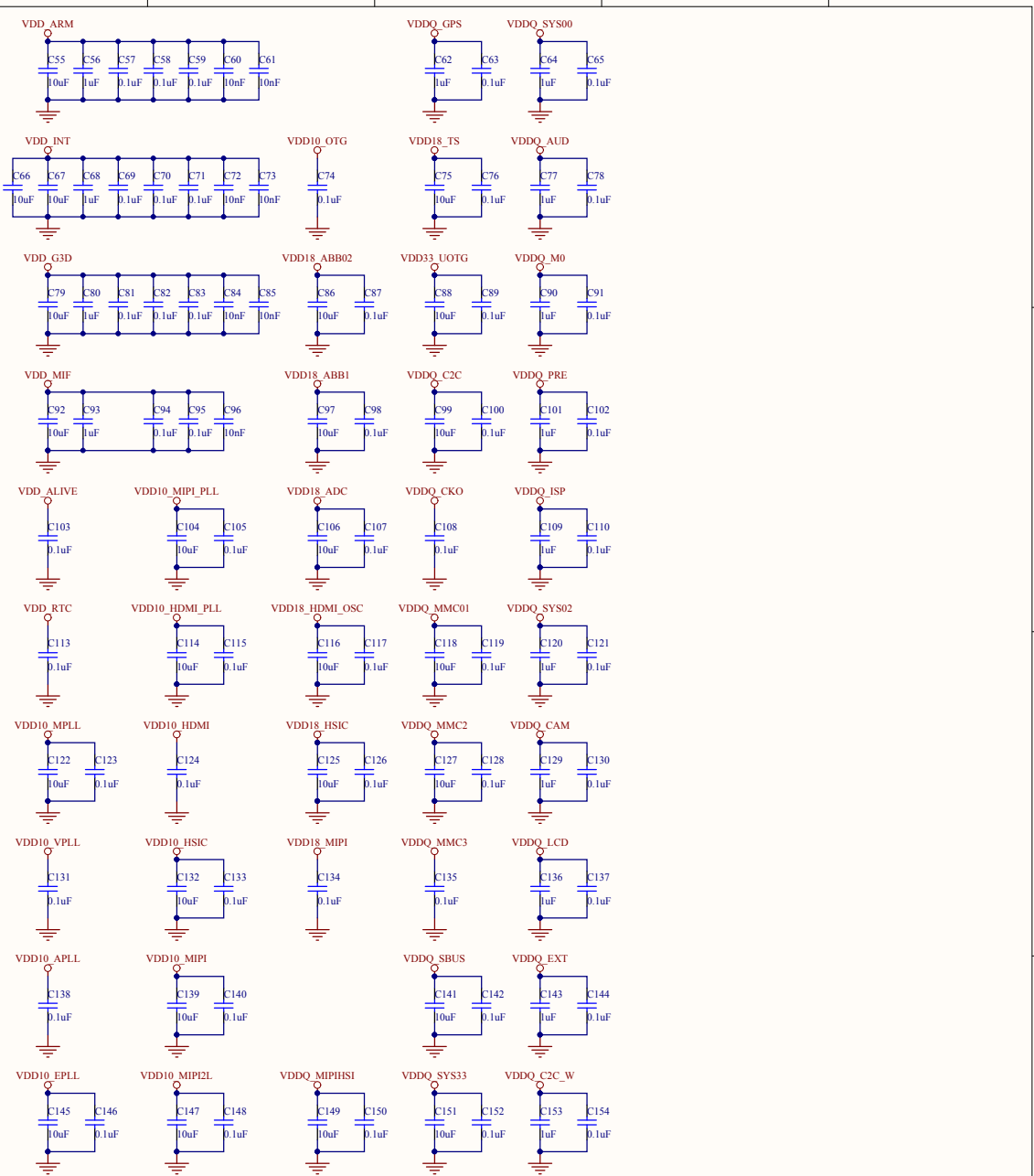
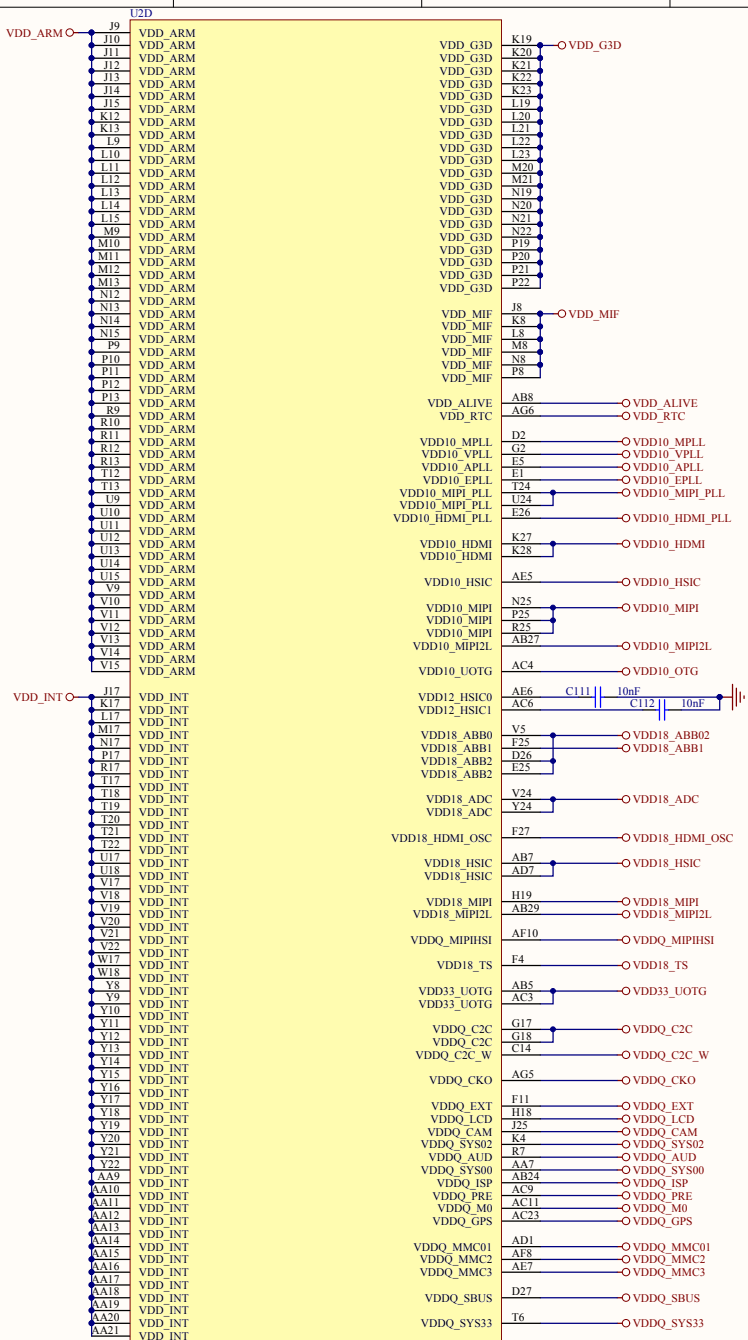


Title HDK4412 MEDIA		R&D PART	
Size: A3		Number: 5	Revision: 0.2
Date: 12/20/2013	Time: 1:17:40 AM	Sheet 5 of 25	
File: D:\hw\hkl\pegasus\U3-MAIN\MCU_EXYNOS4412_MEDIA.SchDoc		R&D PART 704 Anyang K-center 1591-9 Burim Dongan Gu Gyeonggi-do South Korea	



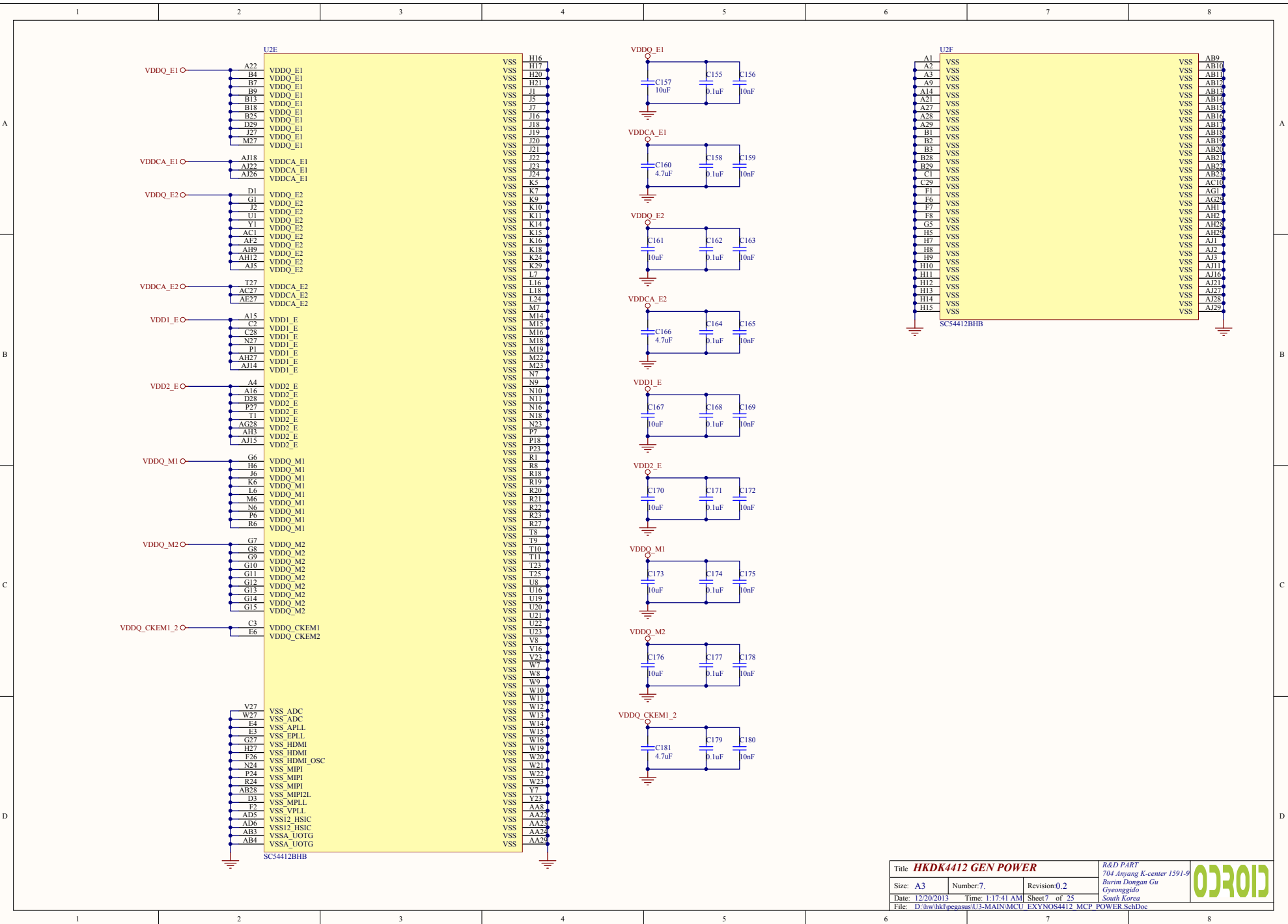


Title DC Jack			Hardkernel Co.,LTD. 704 Anyang K-center 1591-9 Burim, Dongangu, Anyang Gyeonggido South Korea	
Size: A4	Number:5	Revision:0.4		
Date: 12/20/2013	Time: 1:17:40 AM	Sheet5 of 25		
File: D:\hw\hkl\pegasus\U3-MAIN\CON DCJACK.SchDoc				



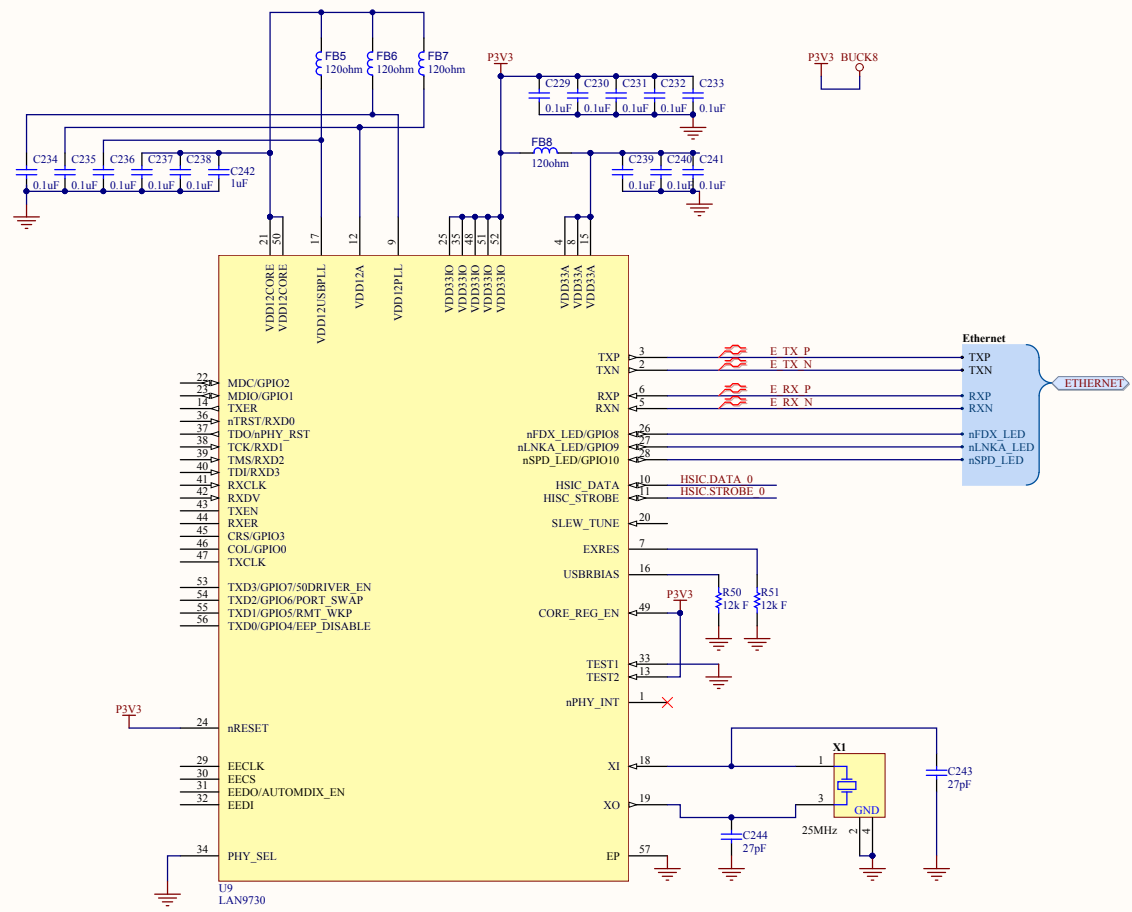
Title HKDK4412 GEN POWER			R&D PART
Size: A3			704 Anyang K-center 1591-9
Number 6	Revision 0.2	Barin Dongan Gu	
Date: 12/20/2013	Time: 1:17:40 AM	Sheet 6 of 25	Gyeonggi-do
File: D:\hw\hkl\pegasus\U3-MAIN\MCU	EYNOS4412 GEN POWER SchDoc		South Korea

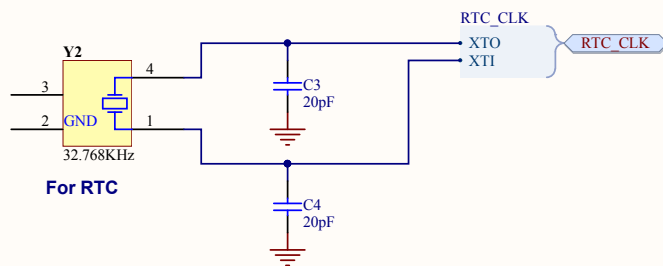
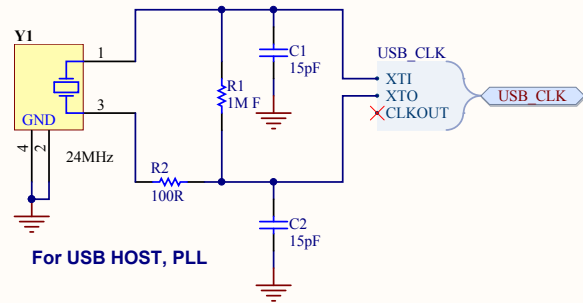





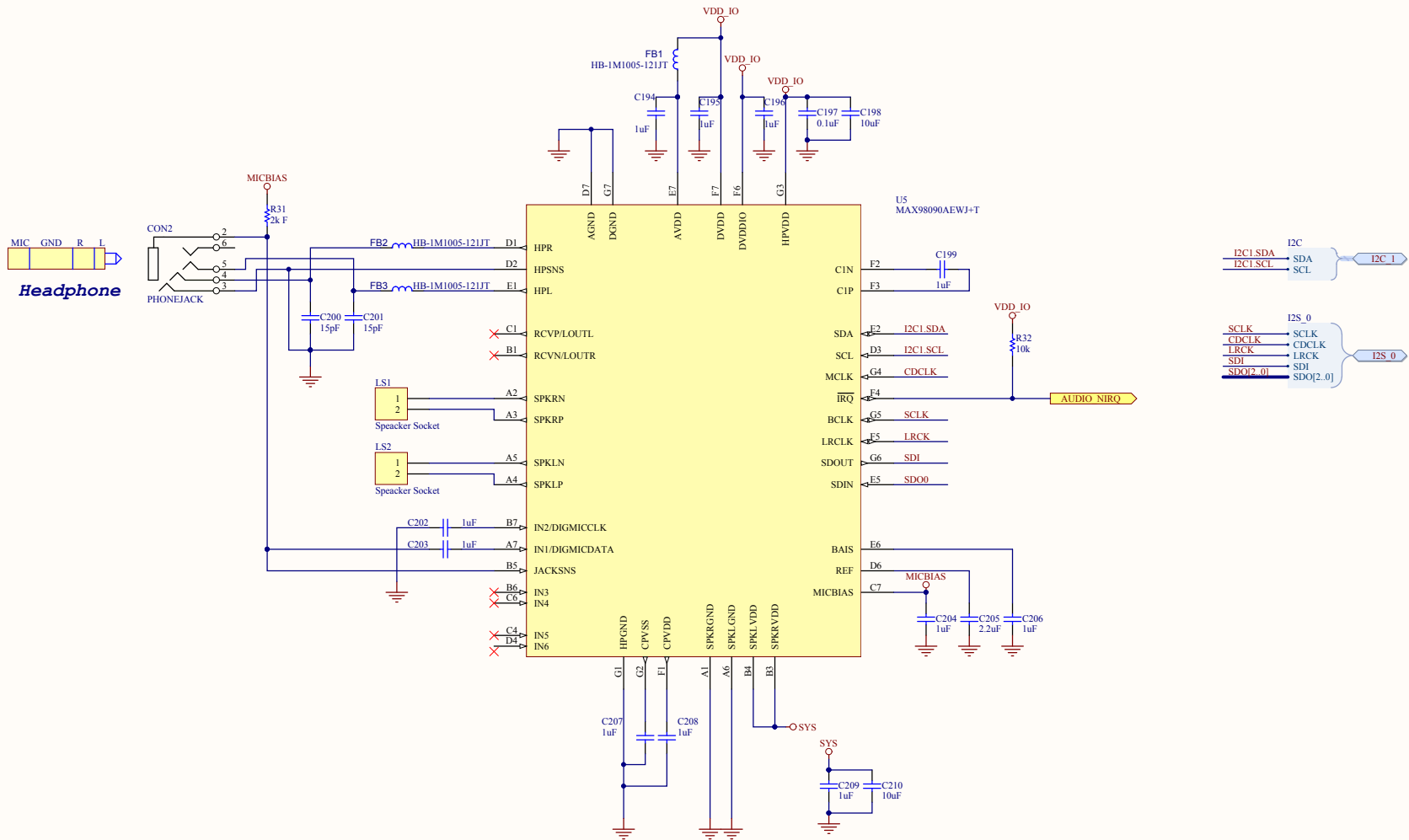
Title HKDK4412 GEN POWER			R&D PART	ROD
Size: A3	Number: 7.	Revision: 0.2	704 Anyang K-center 1591-9	
Date: 12/20/2013	Time: 1:17:41 AM	Sheet: 7 of 25	Burin Dongan Gu	
File: D:\hw\hkl\pegasus\U3-MAIN\MCU_EXYNOS4412 MCP_POWER_SchDoc			Gyeonggi-do South Korea	

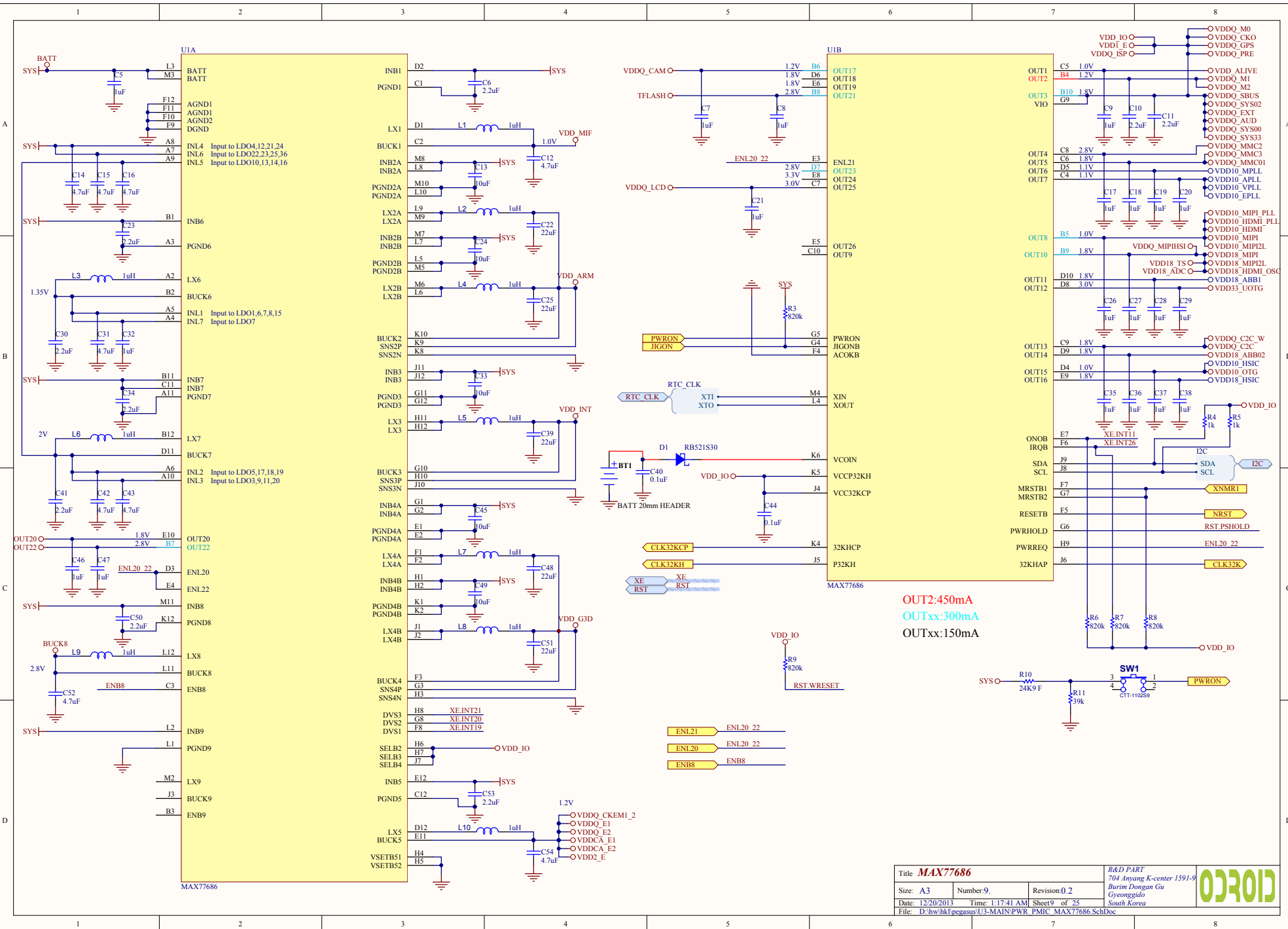
H5IC H5IC





Title CLK			<i>R&D PART</i> 704 Anyang K-center 1591-9 Burim Dongan Gu Gyeonggido South Korea	
Size: A4	Number: 8	Revision: 0.2		
Date: 12/20/2013	Time: 1:17:41 AM	Sheet 8 of 25		
File: D:\hw\hkl\pegasus\U3-MAIN\CLK_SchDoc				

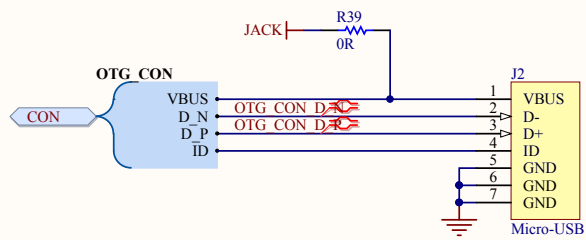





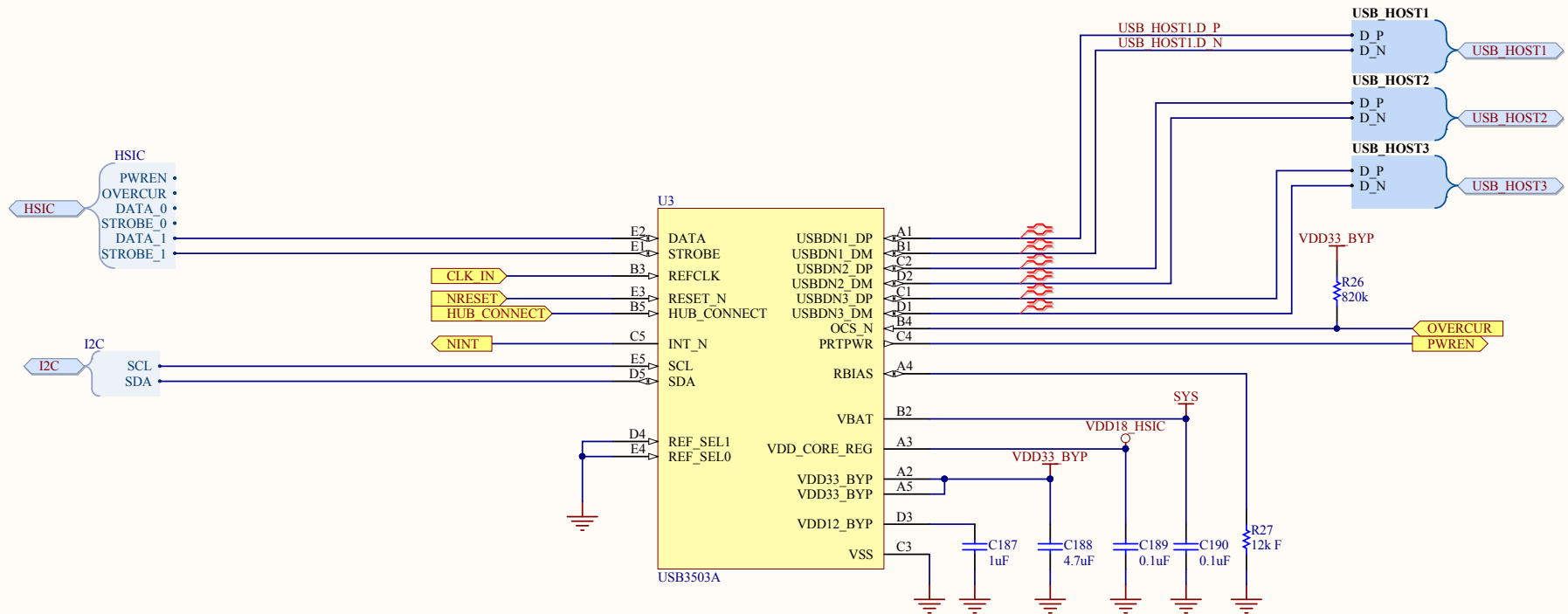
OUT2:450mA
 OUTxx:300mA
 OUTxx:150mA

Title MAX77686			R&D PART 704 Anyang K-center 1591-9 Birim Dongan Gu Gyeonggido South Korea	
Size: A3	Number:9	Revision:0.2		
Date: 12/20/2013	Time: 1:17:41 AM	Sheet:9 of 25		
File: D:\hw\hkl\pegasus\U3-MAIN\PWR_PMIC_MAX77686.SchDoc				

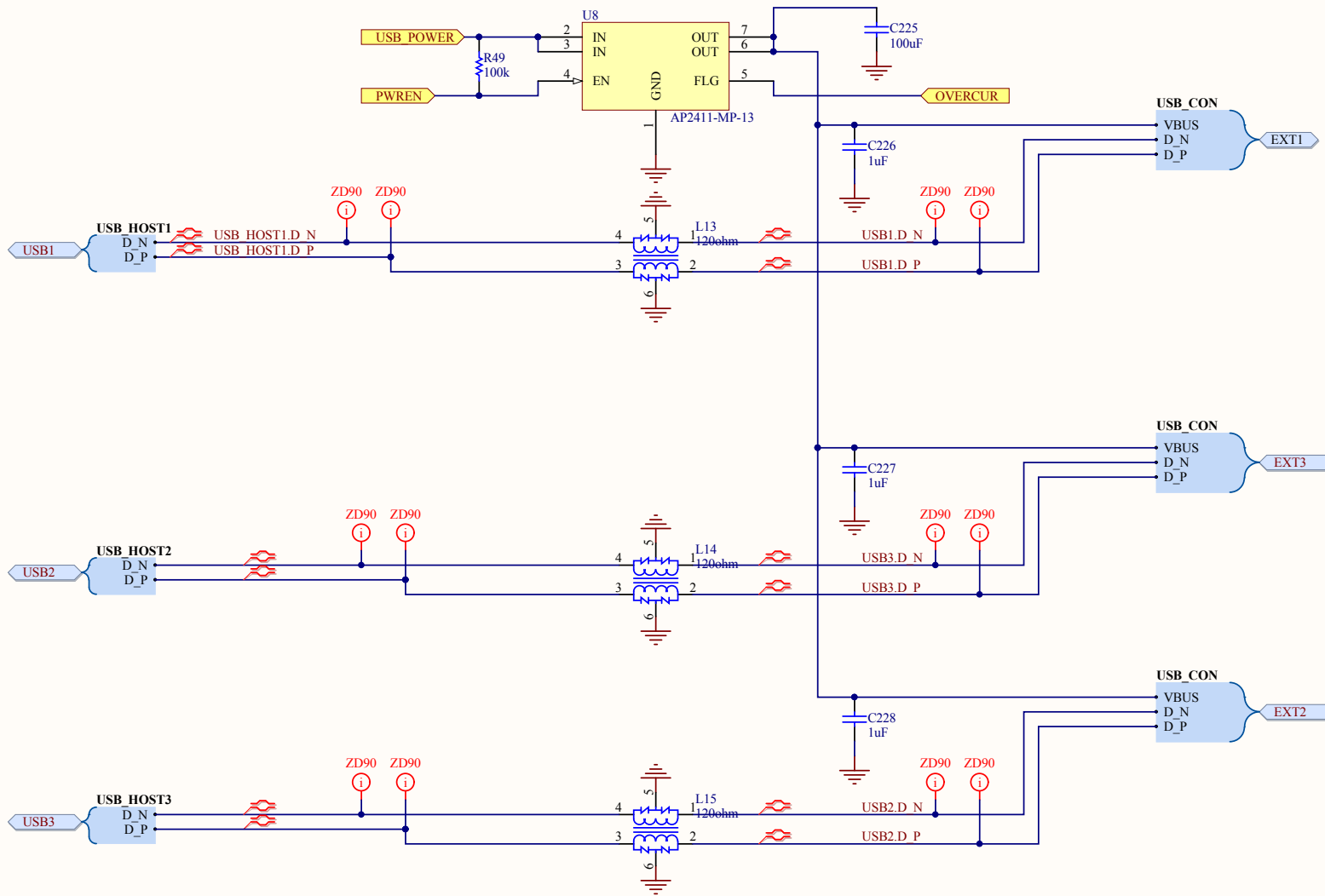





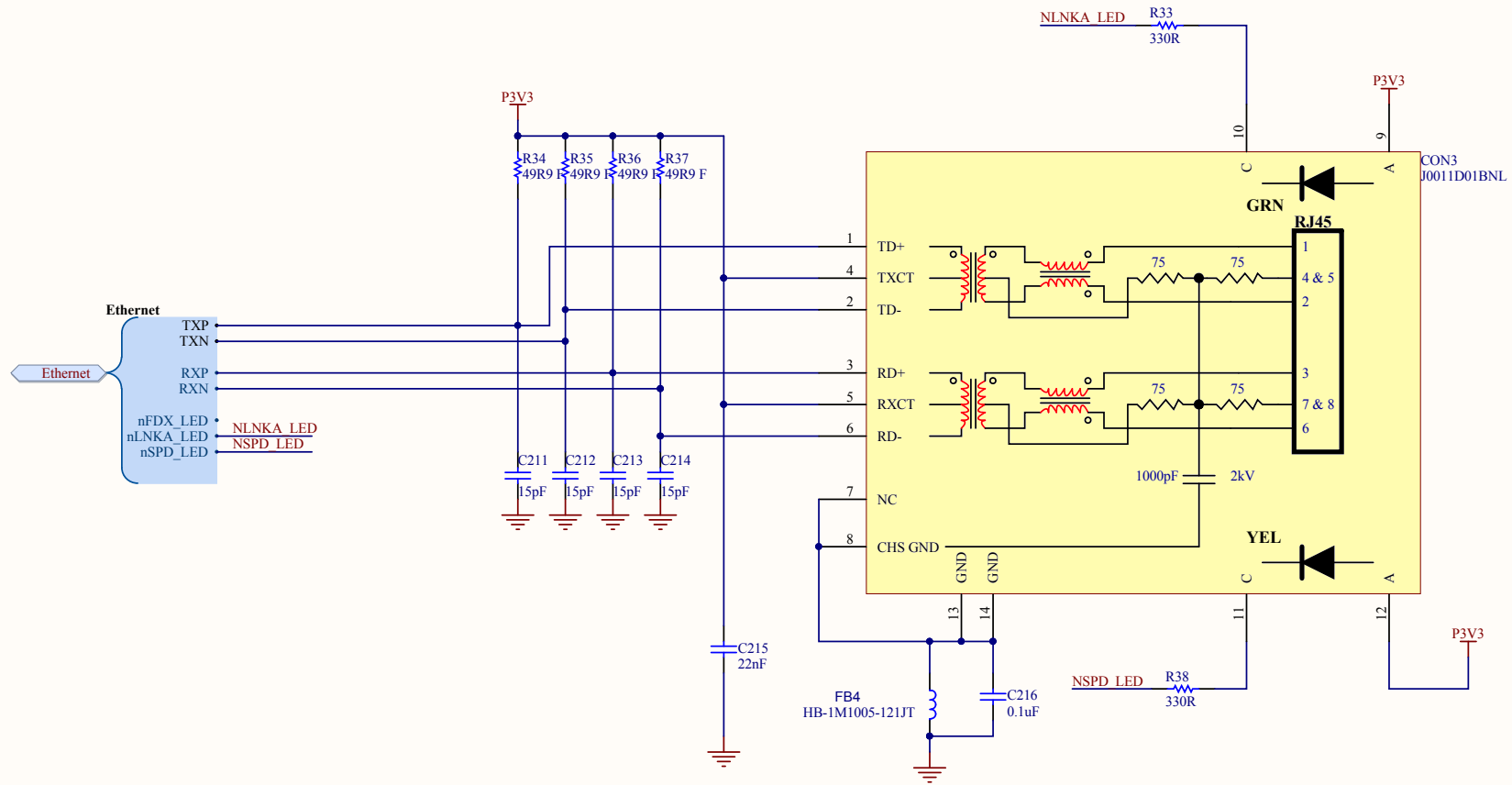
Title Micro USB Connector			Hardkernel Co.,LTD. 704 Anyang K-center 1591-9 Burim, Dongangu, Anyang Kyeonggido South Korea	
Size: A4	Number:9	Revision:0.4		
Date: 12/20/2013	Time: 1:17:41 AM	Sheet9 of 25		
File: D:\hw\hkl\pegasus\U3-MAIN\CON_MICROUSB.SchDoc				



Title HSIC USB HUB			Hardkernel Co.,LTD. 704 Anyang K-center 1591-9 Burim, Dongangu, Anyang Kyeonggido South Korea	
Size: A4	Number:10.	Revision:0.2		
Date: 12/20/2013	Time: 1:17:41 AM	Sheet 10 of 25		
File: D:\hw\hkl\pegasus\U3-MAIN\USB_HUB_USB3503A.SchDoc				

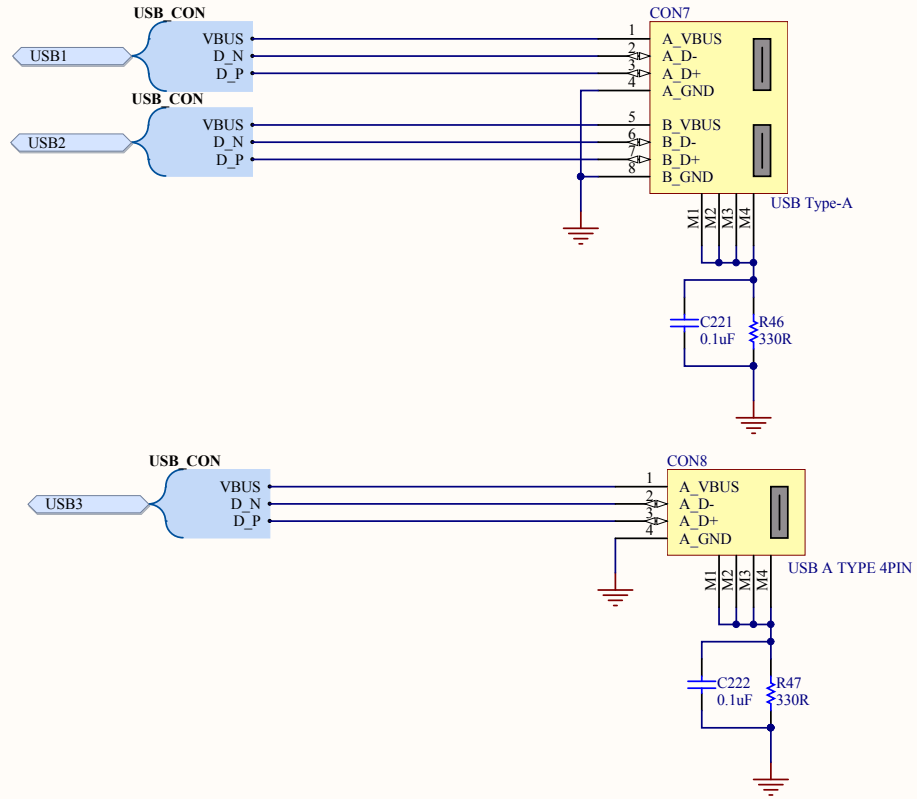



Title USB HOST Power Switch			Hardkernel Co.,LTD. 704 Anyang K-center 1591-9 Burim, Dongangu, Anyang Gyeonggido South Korea	
Size: A4	Number:10.	Revision:0.4		
Date: 12/20/2013	Time: 1:17:41 AM	Sheet 10 of 25		
File: D:\hw\hkl\pegasus\U3-MAIN\USB_HOST_PWR_SW.SchDoc				

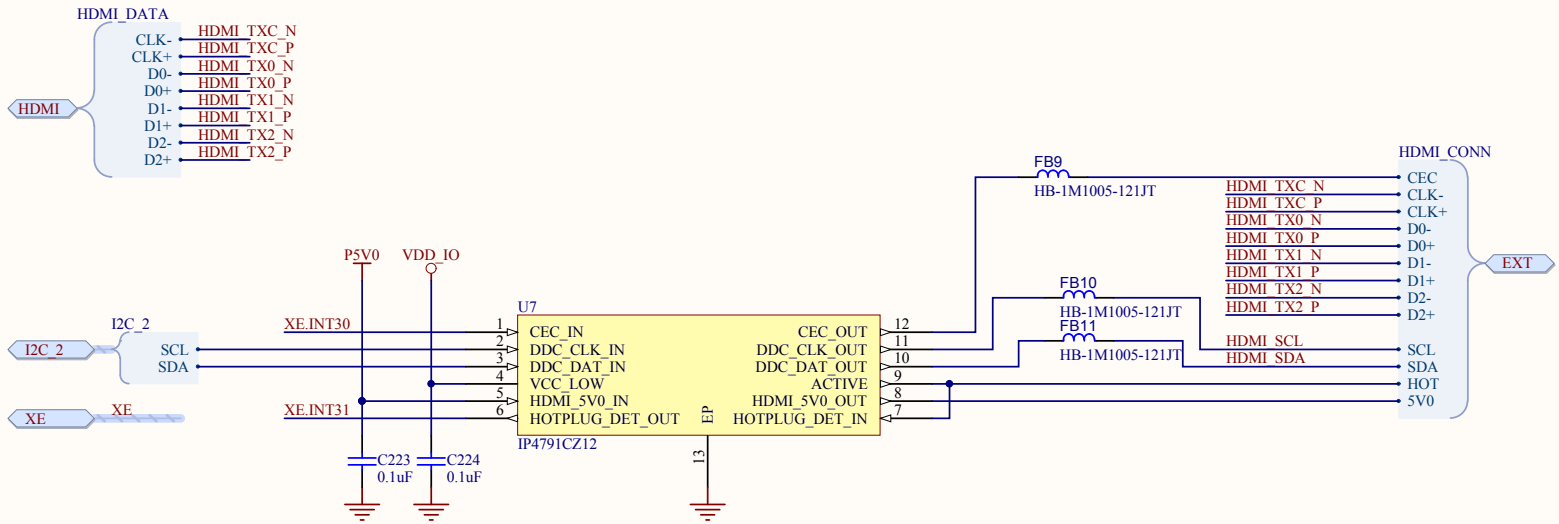



Title Ethernet			Hardkernel Co.,LTD. 704 Anyang K-center 1591-9 Burim, Dongangu, Anyang Gyeonggido South Korea
Size: A4	Number: 11.	Revision: 0.4	
Date: 12/20/2013	Time: 1:17:41 AM	Sheet 11 of 25	
File: D:\hw\hkl\pegasus\U3-MAIN\CON ETHERNET.SchDoc			

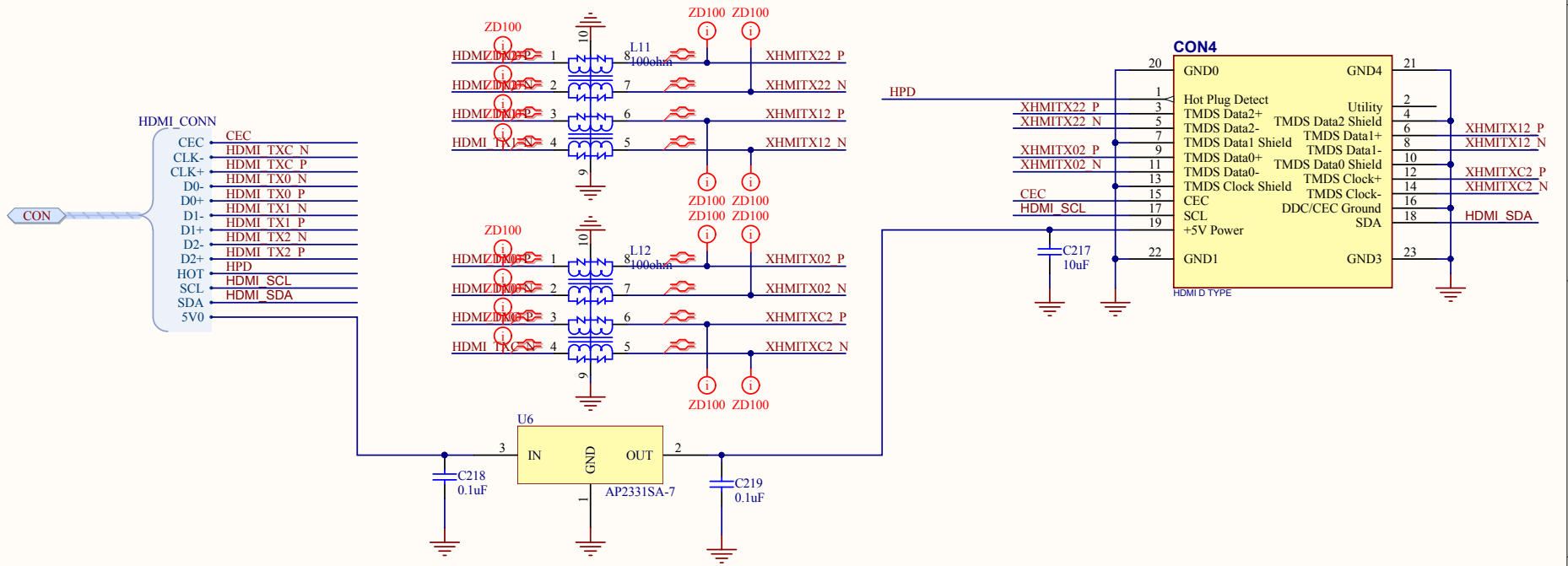





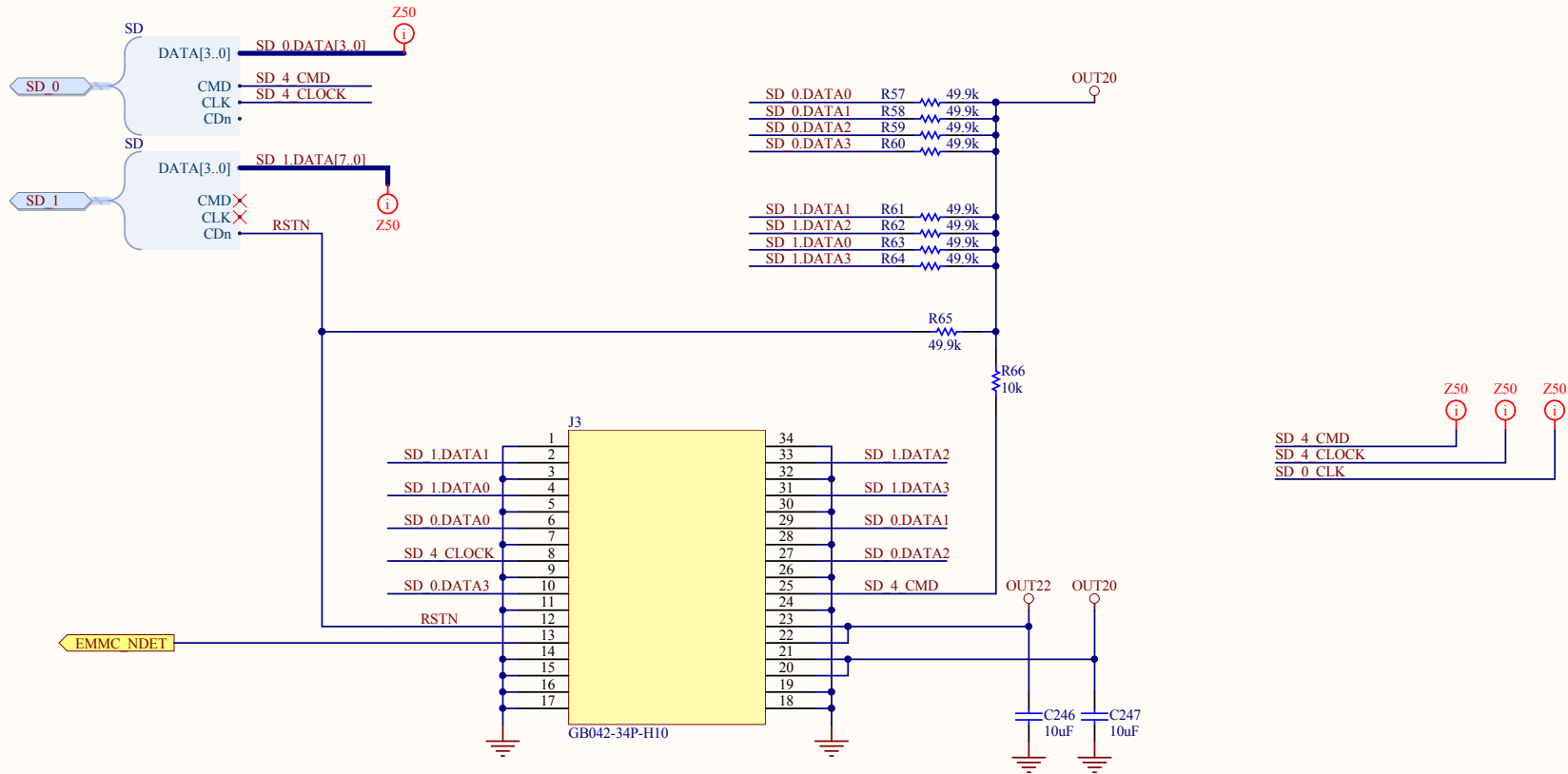
Title USB 2.0 Type A Connector			Hardkernel Co.,LTD. 1-605 Shinan Metrokhan 1115 Dalandong, Dongangu, Anyang Gyeonggido South Korea	
Size: A4	Number:12.	Revision:0.4		
Date: 12/20/2013	Time: 1:17:42 AM	Sheet 12 of 25		
File: D:\hw\hkl\pegasus\U3-MAIN\CON USB_RA.SchDoc				



Title HDMI 2C			Hardkernel Co.,LTD. 704 Anyang K-center 1591-9 Burim, Dongangu, Anyang Kyeonggido South Korea	
Size: A4	Number: 13.	Revision: 0.4		
Date: 12/20/2013	Time: 1:17:42 AM	Sheet 13 of 25		
File: D:\hw\hkl\pegasus\U3-MAIN\HDMI_I2C.SchDoc				



Title Micro HDMI Connector			Hardkernel Co.,LTD. 704 Anyang K-center 1591-9 Burim, Dongangu, Anyang Kyeonggido South Korea	
Size: A4	Number: 14.	Revision: 0.4		
Date: 12/20/2013	Time: 1:17:42 AM	Sheet 14 of 25		
File: D:\hw\hkl\pegasus\U3-MAIN\CON HDMI_SchDoc				



Title CON_EMMC			Hardkernel Co.,LTD. 704 Anyang K-center 1591-9 Burim Dongan Gu Gyeonggido South Korea	
Size: A4	Number: 15.	Revision: 0.4		
Date: 12/20/2013	Time: 1:17:42 AM	Sheet 15 of 25		
File: D:\hw\hkl\pegasus\U3-MAIN\CON_EMMC.SchDoc				

1

2

3

4

A

A

B

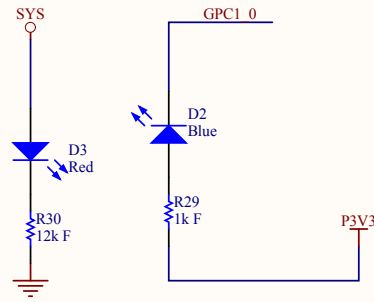
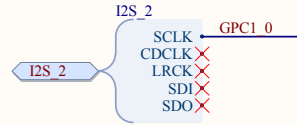
B


C

C

D

D



Title LEDs			Hardkernel Co.,LTD. 704 Anyang K-center 1591-9 Burim Dongan Gu Gyeonggido South Korea	
Size: A4	Number:16.	Revision:0.1		
Date: 12/20/2013	Time: 1:17:42 AM	Sheet 16 of 25		
File: D:\hw\hkl\pegasus\U3-MAIN\U_LEDs.SchDoc				

1

2

3

4

1

2

3

4

A

A

B

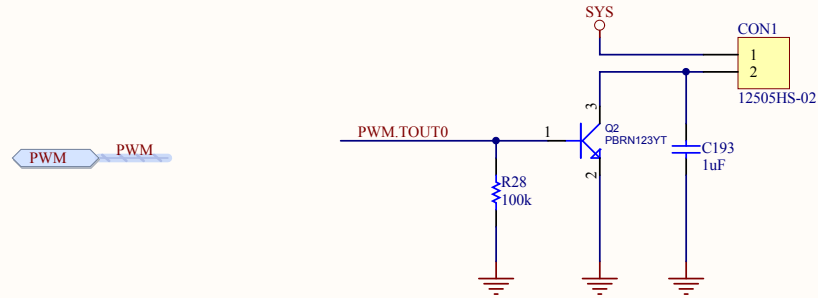
B


C

C

D

D



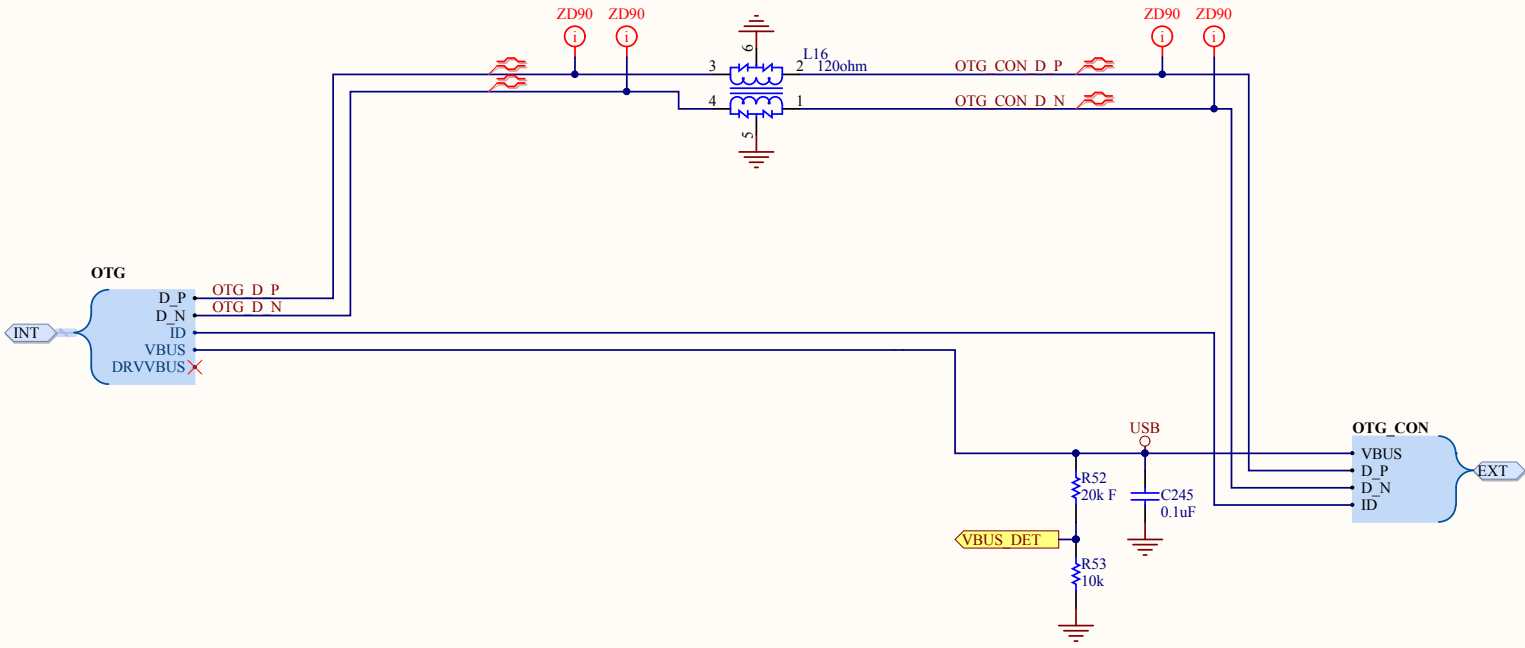
Title FAN			Hardkernel Co.,LTD. 704 Anyang K-center 1591-9 Burim Dongan Gu Gyeonggido South Korea	
Size: A4	Number:16.	Revision:0.1		
Date: 12/20/2013	Time: 1:17:42 AM	Sheet 16 of 25		
File: D:\hw\hkl\pegasus\U3-MAIN\CON FAN.SchDoc				

1

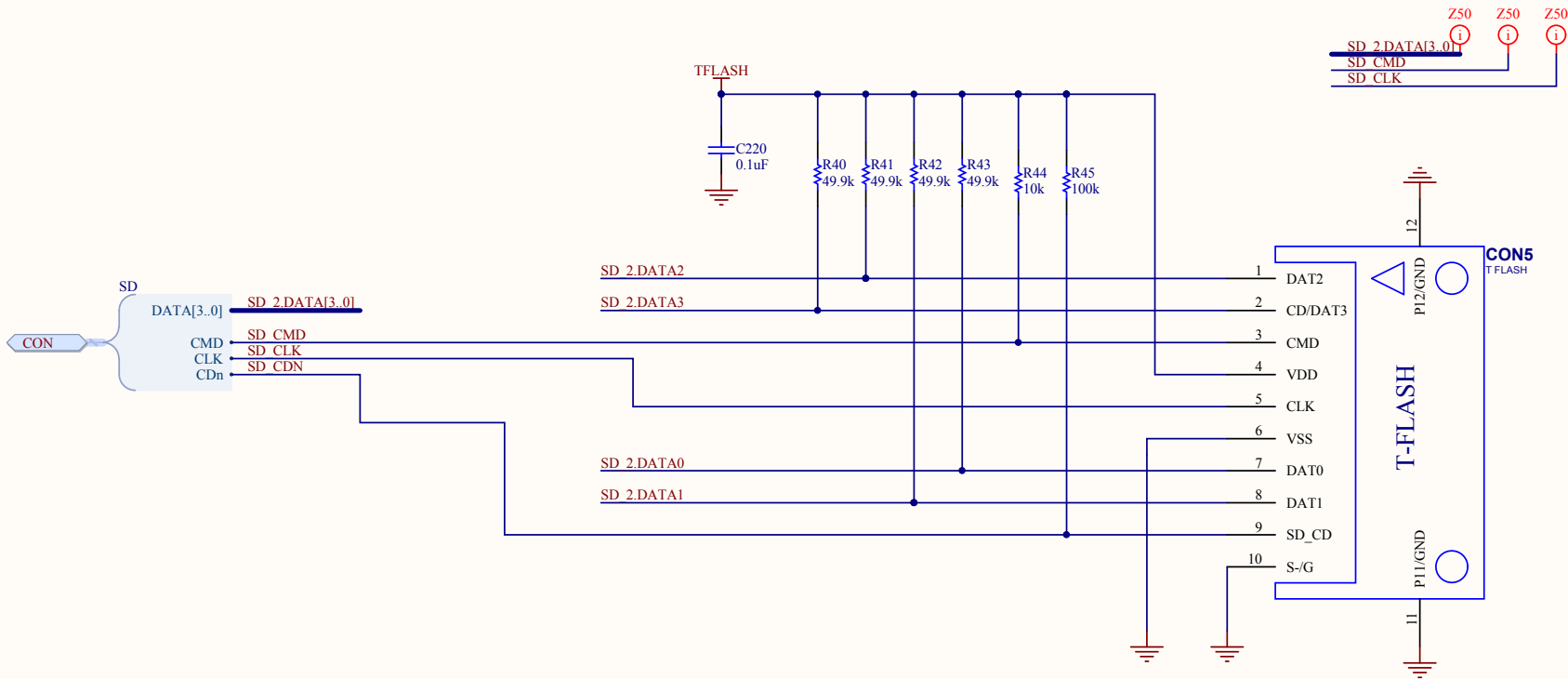
2

3

4



Title USB OTG			Hardkernel Co.,LTD. 1-605 Shinan Metrokhan 1115 Dalandong, Dongangu, Anyang Gyeonggido South Korea
Size: A4	Number:19.	Revision:0.4	
Date: 12/20/2013	Time: 1:17:42 AM	Sheet19 of 25	ANDROID
File: D:\hw\hkl\pegasus\U3-MAIN\USB_OTG.SchDoc			



Title Micro SD Socket			Hardkernel Co.,LTD. 704 Anyang K-center 1591-9 Burim, Dongangu, Anyang Gyeonggido South Korea	
Size: A4	Number:20.	Revision:0.4		
Date: 12/20/2013	Time: 1:17:42 AM	Sheet20 of 25		
File: D:\hw\hkl\pegasus\U3-MAIN\CON MICROSD_HD08-AL00335.SchDoc				

1

2

3

4

A

A

B

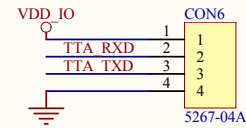
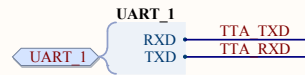
B


C

C

D

D



Title CON_UART			Hardkernel Co.,LTD. 704 Anyang K-center 1591-9 Burim, Dongangu, Anyang Gyeonggido South Korea	
Size: A4	Number:21.	Revision:0.4		
Date: 12/20/2013	Time: 1:17:42 AM	Sheet21 of 25		
File: D:\hw\hkl\pegasus\U3-MAIN\CON_UART.SchDoc				

1

2

3

4