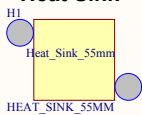


Mounting Holes

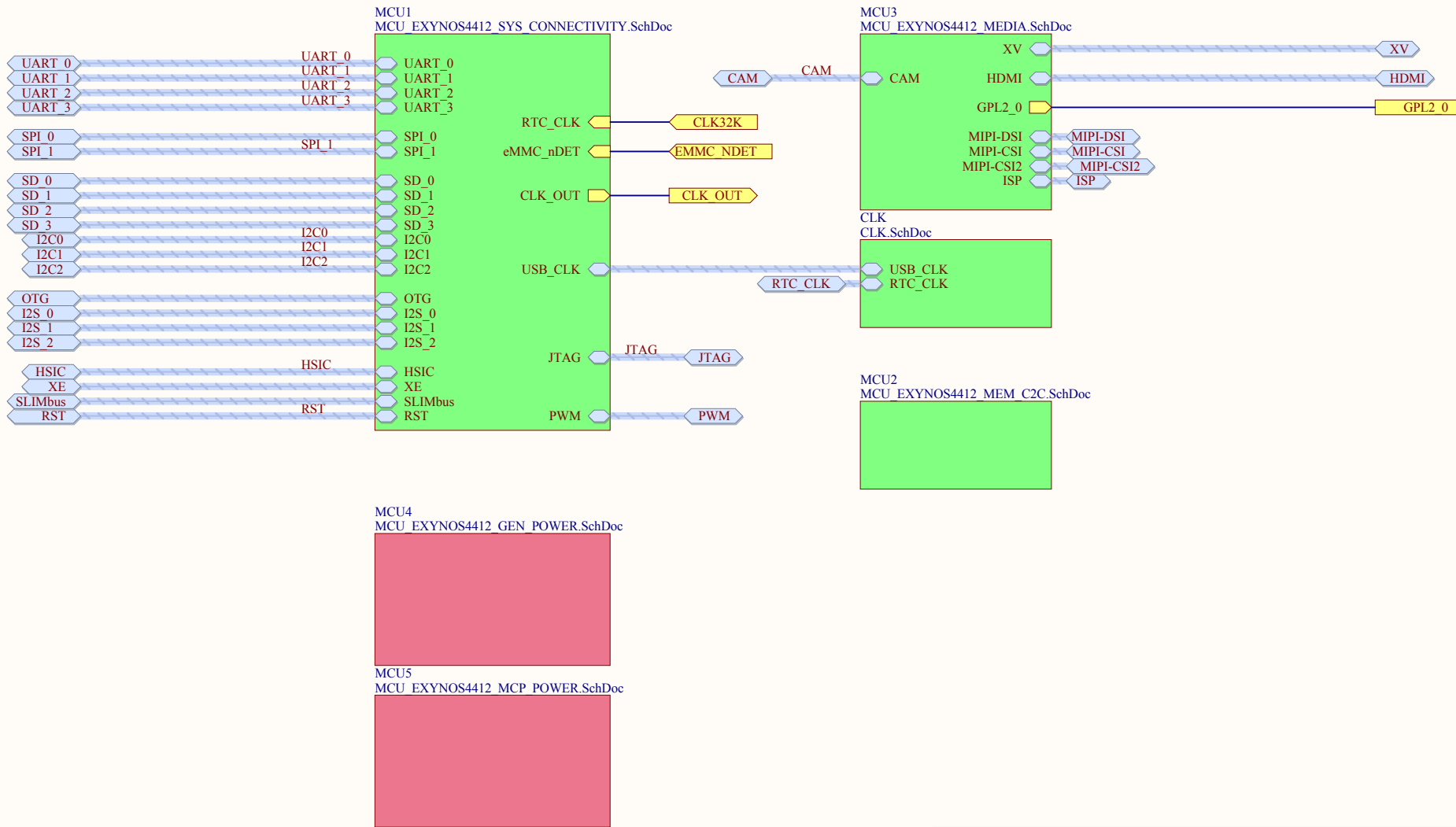
- MH1
MOUNTING HOLE 3MM
- MH2
MOUNTING HOLE 3MM
- MH3
MOUNTING HOLE 3MM
- MH4
MOUNTING HOLE 3MM



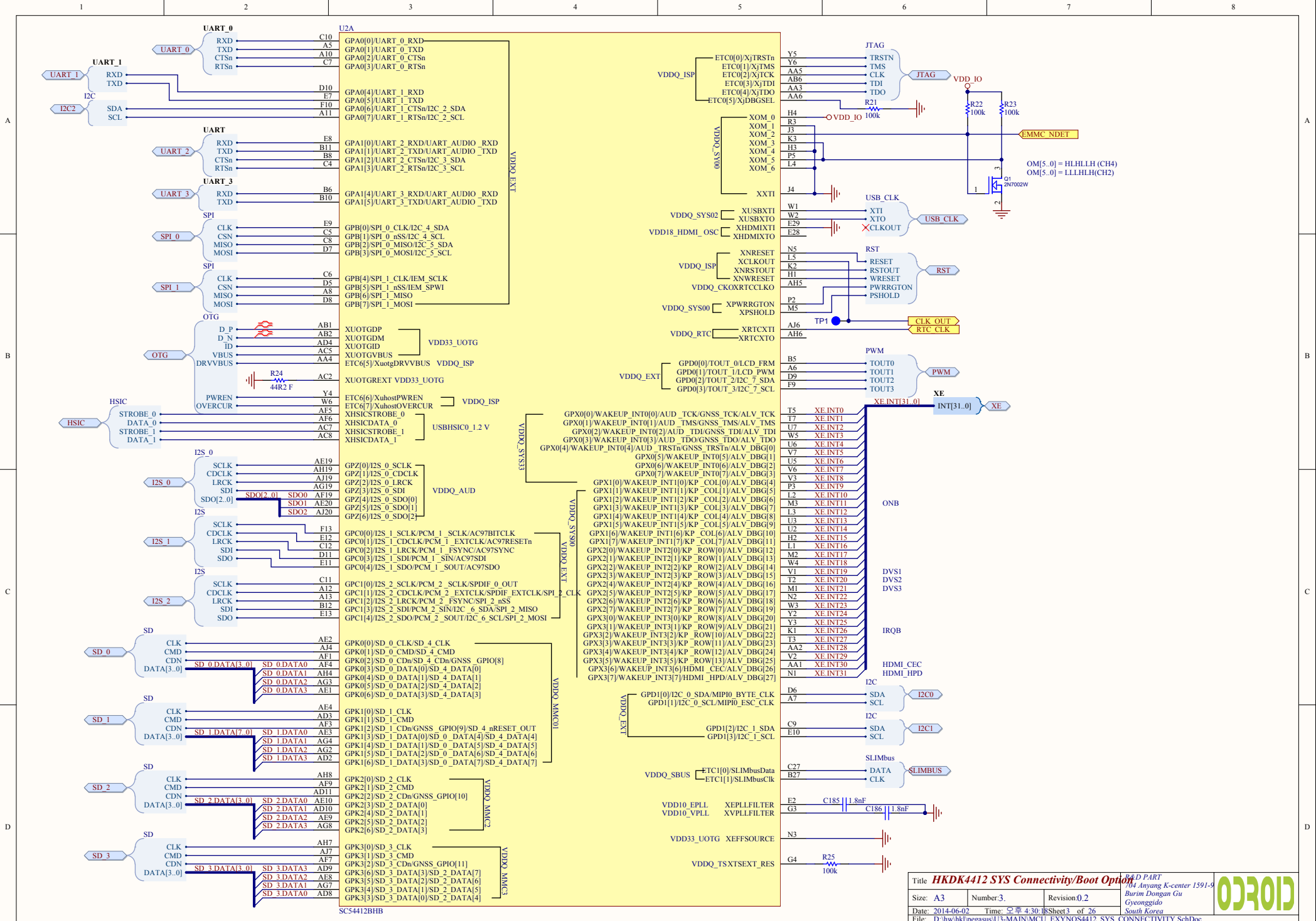
Heat Sink



Title U3-MAIN			Hardkernel Co.,LTD. 704 Anyang K-center 1591-9 Burim, Donggangu, Anyang Gyeonggido South Korea	
Size: A3	Number: 1	Revision: 0,5		
Date: 2014-06-02	Time: 20:43:08	Sheet 1 of 26		
File: D:\hw\hkl\pegasus\U3-MAIN\U3-MAIN.SchDoc				
Title U3-MAIN				



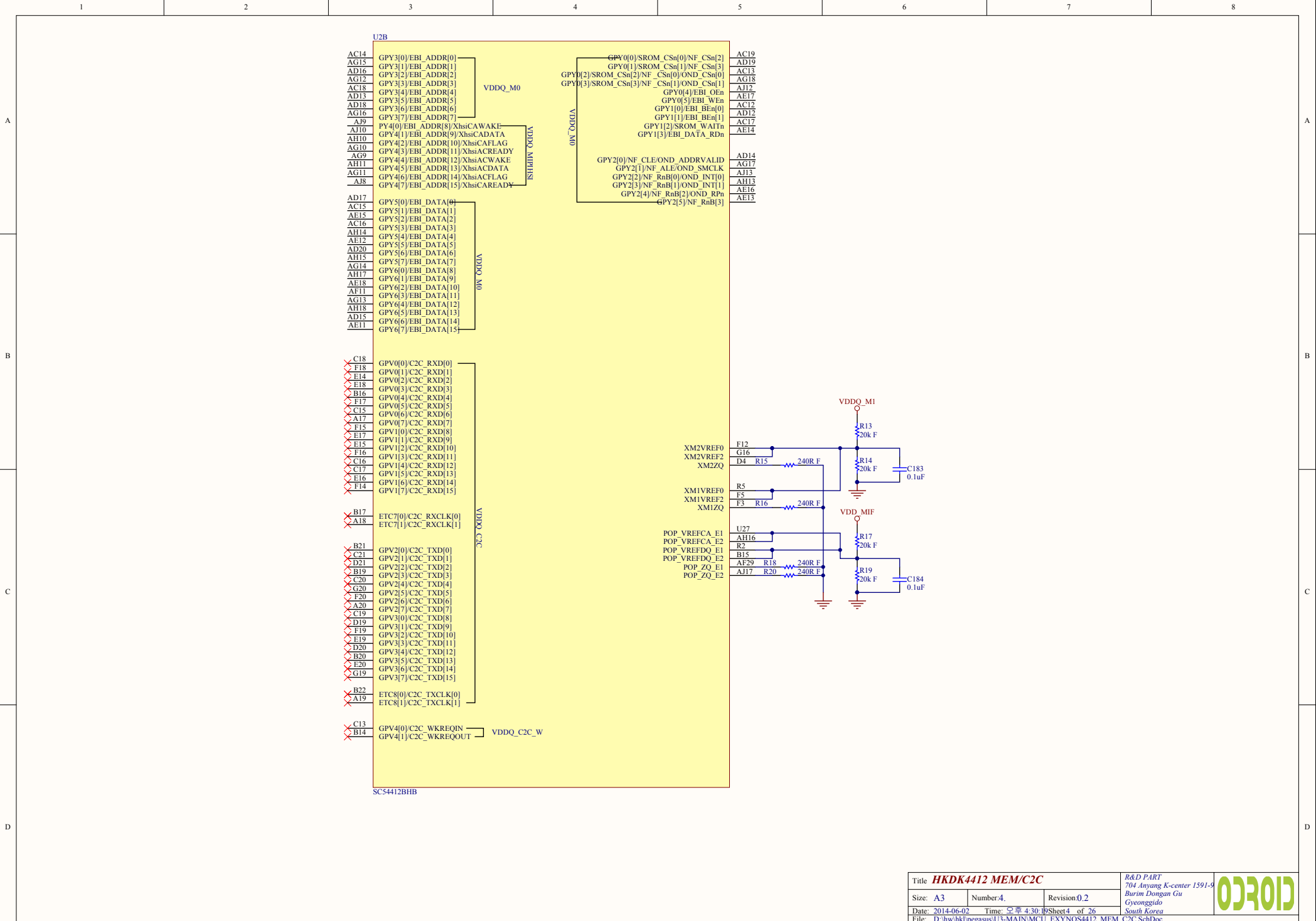
Title MCU EXYNOS4412		R&D PART 704 Anyang K-center 1591-9 Burim Dongan Gu Gyeonggido South Korea	
Size: A4	Number: 2.		
Date: 2014-06-02	Time: 오후 4:30:18	Sheet 2 of 26	
File: D:\hw\hkl\pegasus\U3-MAIN\MCU_EXYNOS4412.SchDoc			



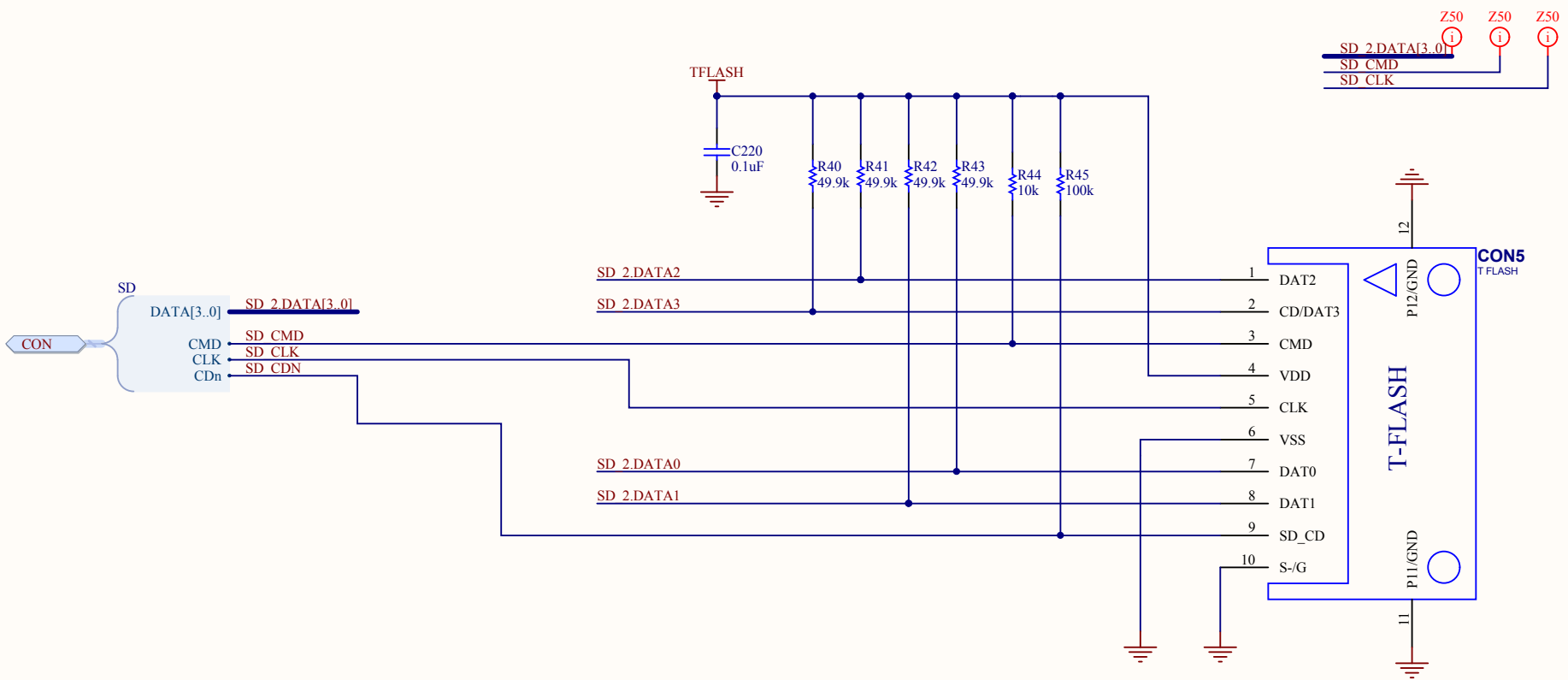
SC54412BHB

Title HKDK4412 SYS Connectivity/Boot Option			R&D PART
Date: 2014.06.02			04 Anyang K-center 1591-5
Time: 오후 4:30			Burim Dongan Gu
Revision: 0.26			Gyeonggi-do
File: D:\hw\hkl\pegasus\U3-MAIN\MCU_EXYNOS4412_SYS_CONNECTIVITY_SchDoc			South Korea

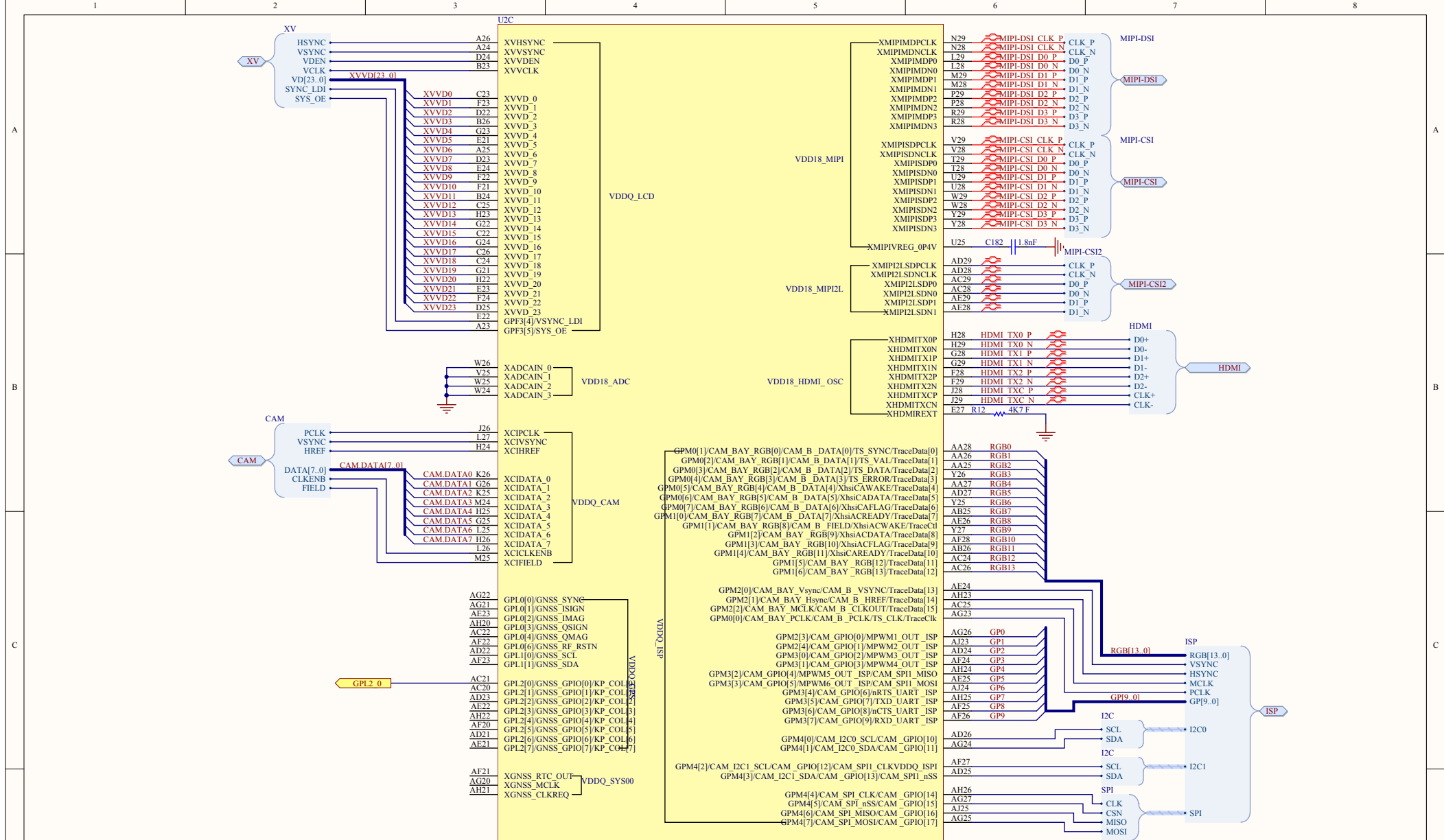




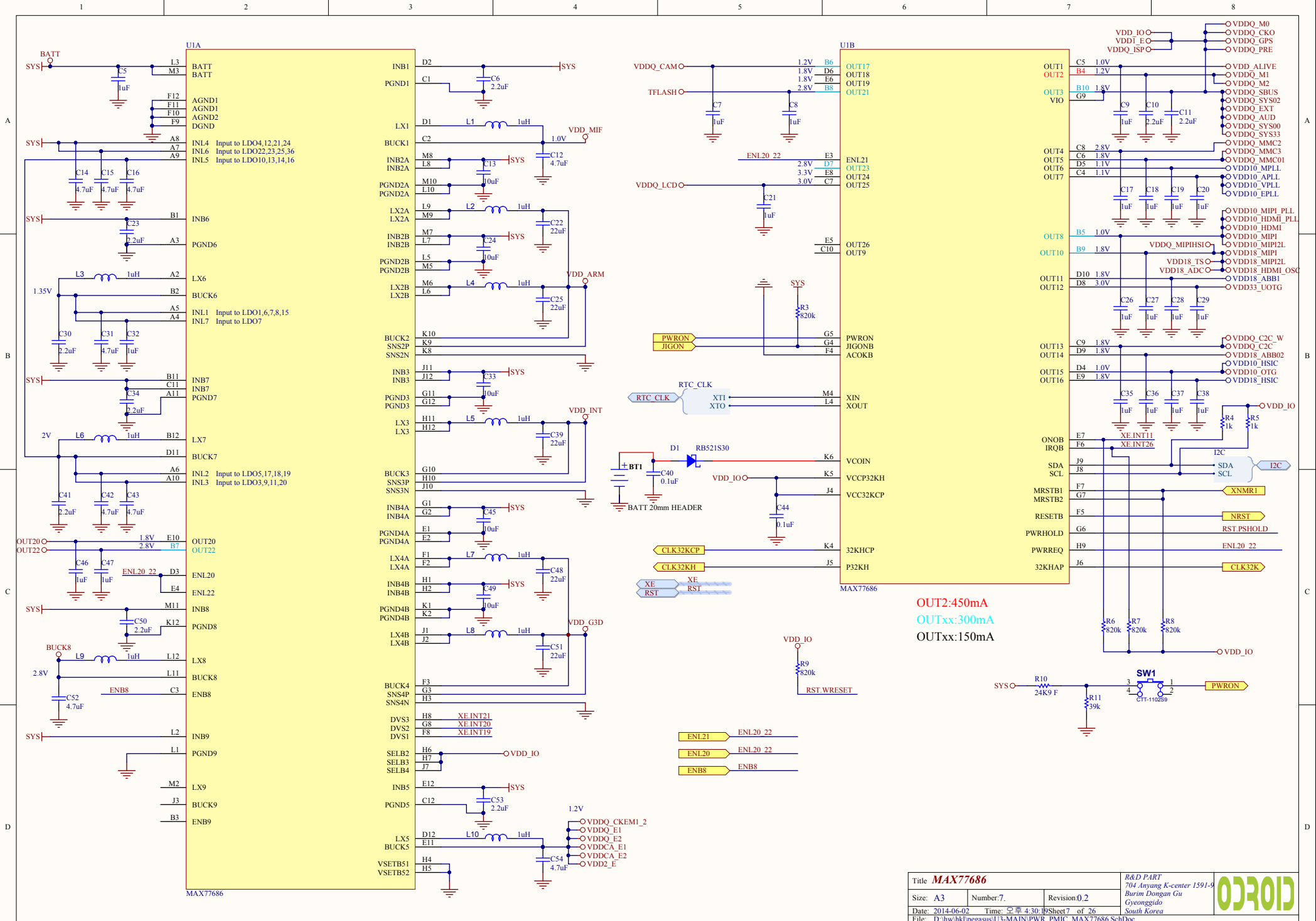
Title HKDK4412 MEM/C2C			R&D PART	
Size: A3			704 Anyang K-center 1591-9	
Date: 2014.06.02			Burim Dongan Gu	
File: D:\hw\hkl\pegasus\U3-MAIN\MCU_EXYNOS4412_MEM_C2C.SchDoc			Gyeonggi-do	
Number: 4	Revision: 0.2	South Korea		

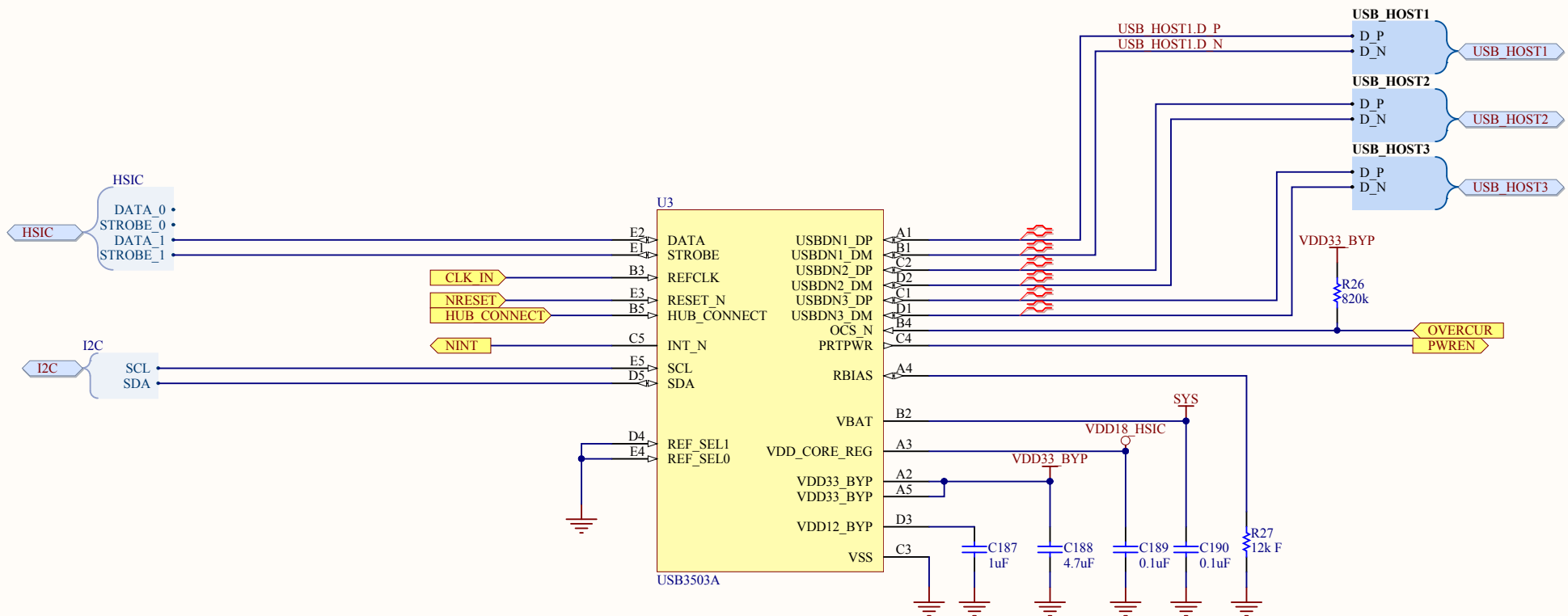



Title Micro SD Socket			Hardkernel Co.,LTD. 704 Anyang K-center 1591-9 Burim, Donggangu, Anyang Gyeonggido South Korea	
Size: A4	Number:5.	Revision:0.4		
Date: 2014-06-02	Time: 오후 4:30:19	Sheet 5 of 26	File: D:\hw\hkl\pegasus\U3-MAIN\CON MICROSD HD08-AL00335.SchDoc	



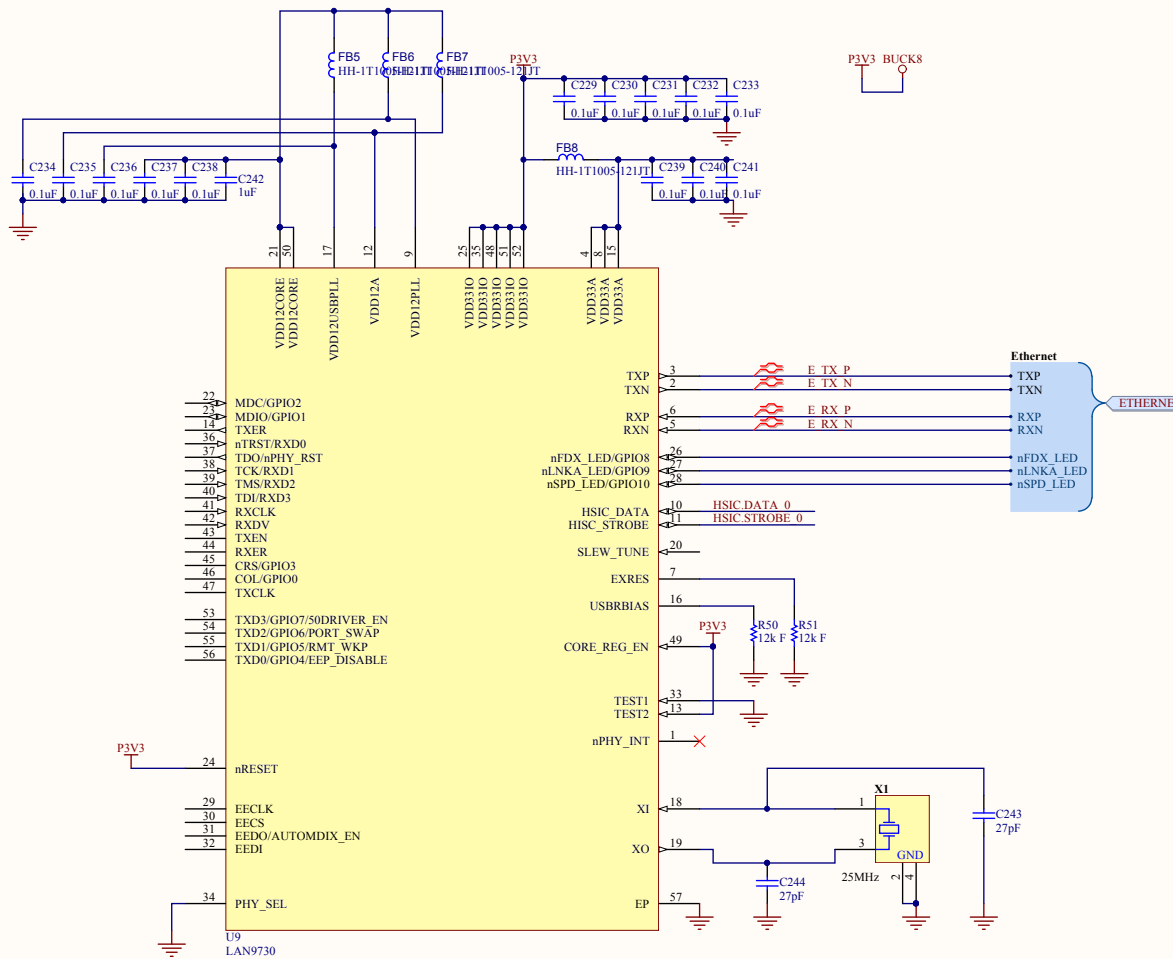
SC54412BHB

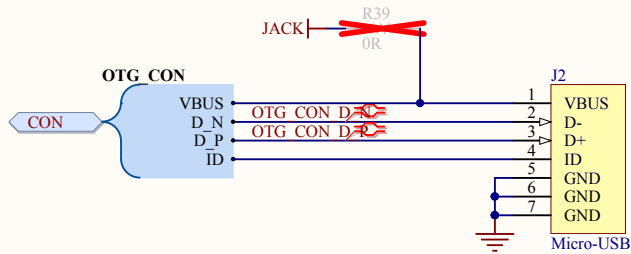





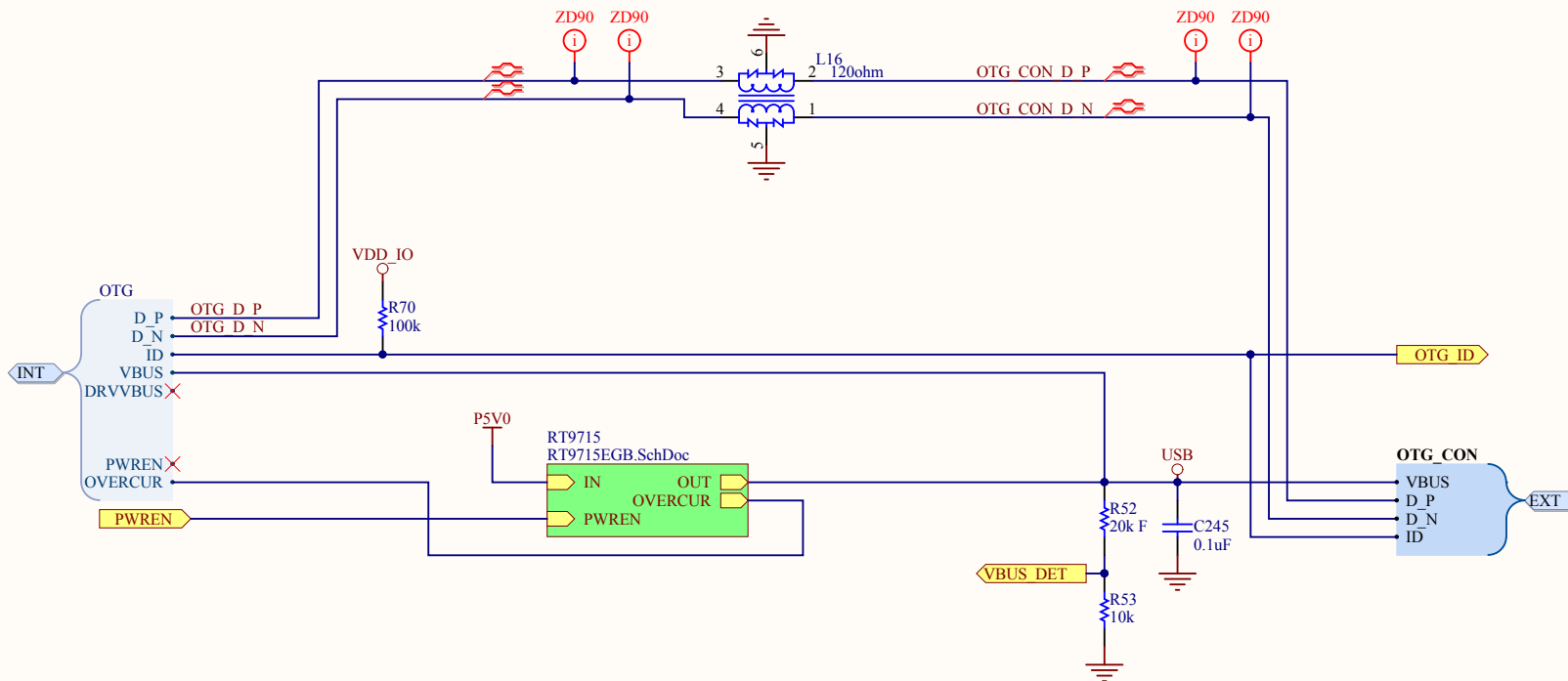
Title HSIC USB HUB			Hardkernel Co.,LTD. 704 Anyang K-center 1591-9 Burim, Dongangu, Anyang Kyeonggido South Korea	
Size: A4	Number: 8.	Revision: 0.2		
Date: 2014-06-02	Time: 오후 4:30:19	Sheet 8 of 26		
File: D:\hw\hkl\pegasus\U3-MAIN\USB HUB USB3503A.SchDoc				


H5IC H5IC

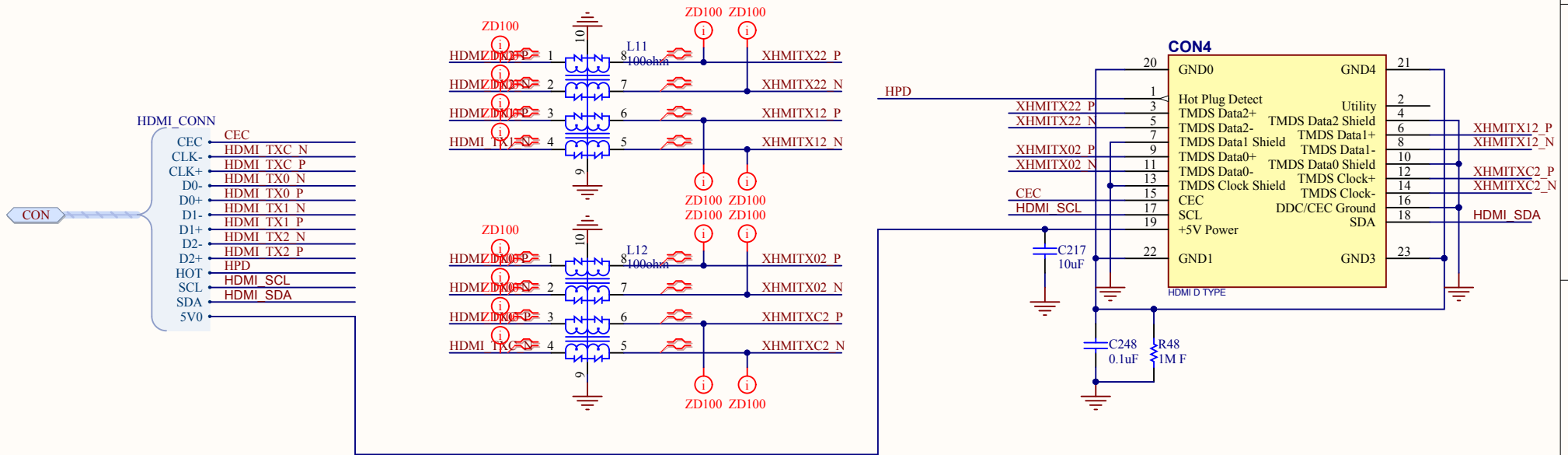




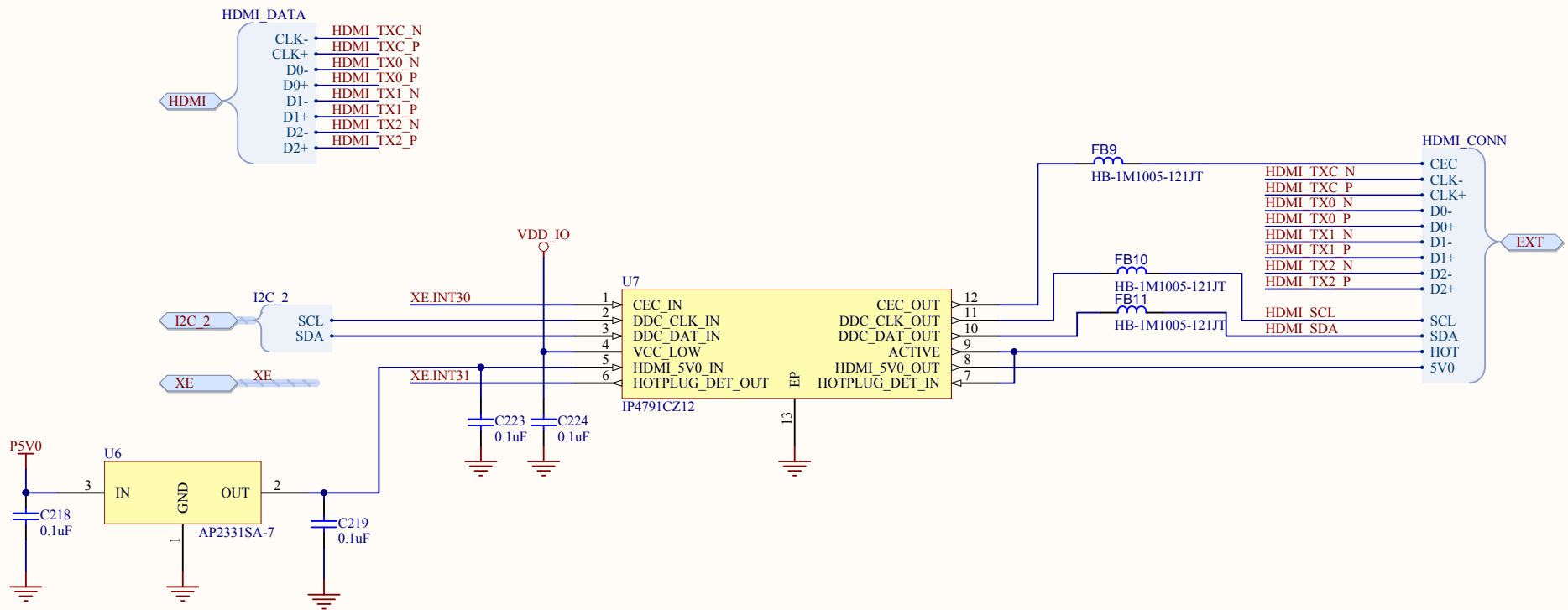
Title Micro USB Connector			Hardkernel Co.,LTD. 704 Anyang K-center 1591-9 Burim, Dongangu, Anyang Kyeonggido South Korea	
Size: A4	Number: 10.	Revision: 0.4		
Date: 2014-06-02	Time: 오후 4:30:19	Sheet 10 of 26		
File: D:\hw\hkl\pegasus\U3-MAIN\CON MICROUSB.SchDoc				




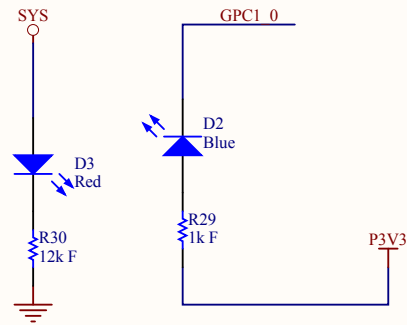
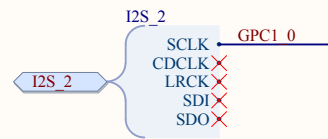
Title USB OTG			Hardkernel Co.,LTD. 1-605 Shinan Metrokhan 1115 Dalandong, Dongangu, Anyang, Gyeonggido South Korea	
Size: A4	Number: 11.	Revision: 0.4		
Date: 2014-06-02	Time: 오후 4:30:19	Sheet 11 of 26		
File: D:\hw\hkl\pegasus\U3-MAIN\USB_OTG.SchDoc				



Title Micro HDMI Connector			Hardkernel Co.,LTD. 704 Anyang K-center 1591-9 Burim, Dongang, Anyang Kyeonggido South Korea	
Size: A4	Number: 12.	Revision: 0.4		
Date: 2014-06-02	Time: 오후 4:30:19	Sheet 12 of 26		
File: D:\hw\hkl\pegasus\U3-MAIN\CON HDMI.SchDoc				

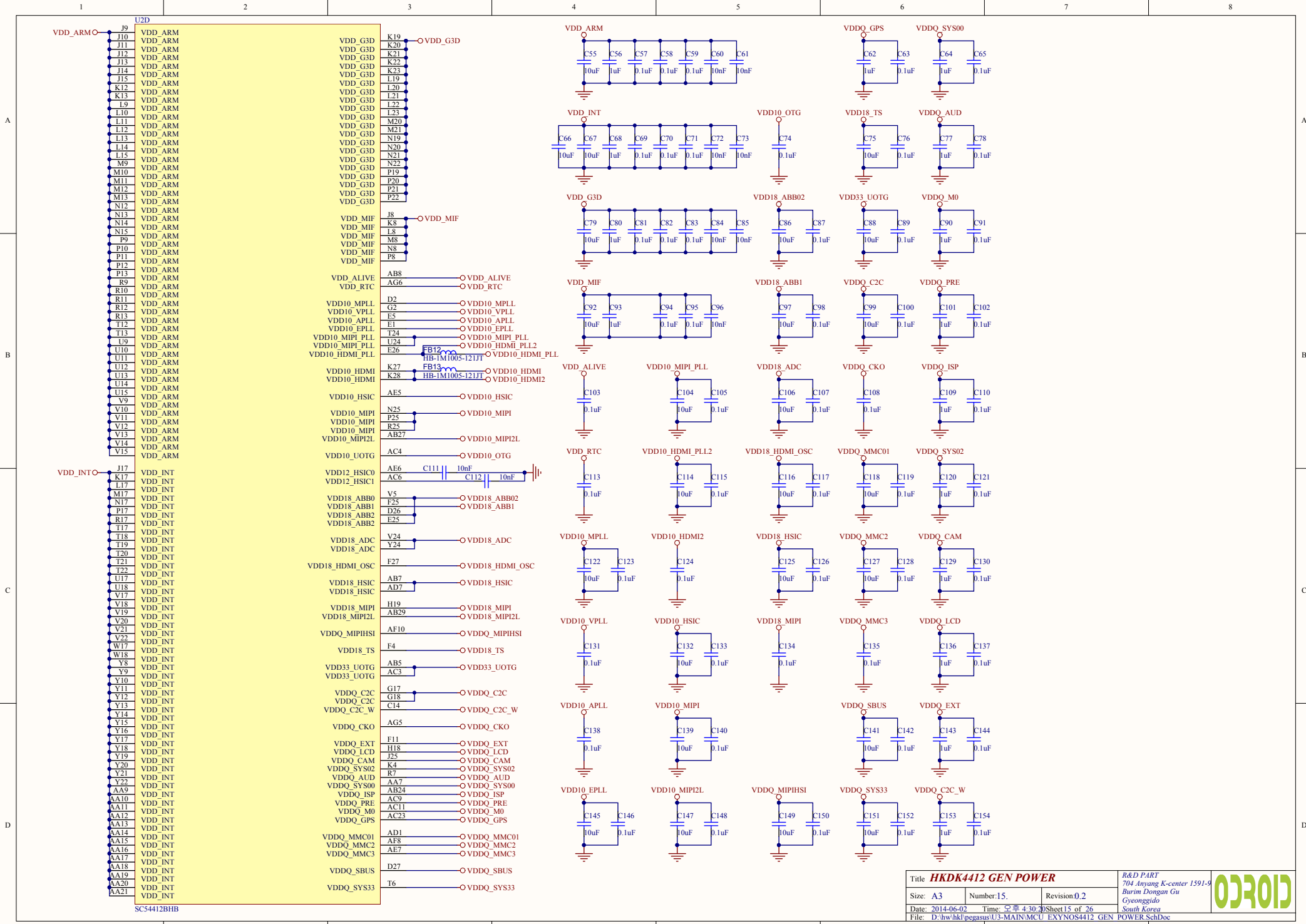


Title HDMI 2C			Hardkernel Co.,LTD. 704 Anyang K-center 1591-9 Burim, Dongangu, Anyang Kyeonggido South Korea	
Size: A4	Number: 13.	Revision: 0.4		
Date: 2014-06-02	Time: 오후 4:30:19	Sheet 13 of 26		
File: D:\hw\hkl\pegasus\U3-MAIN\HDMI I2C.SchDoc				

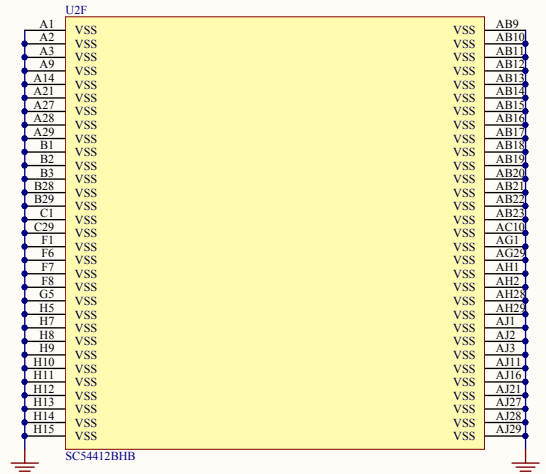
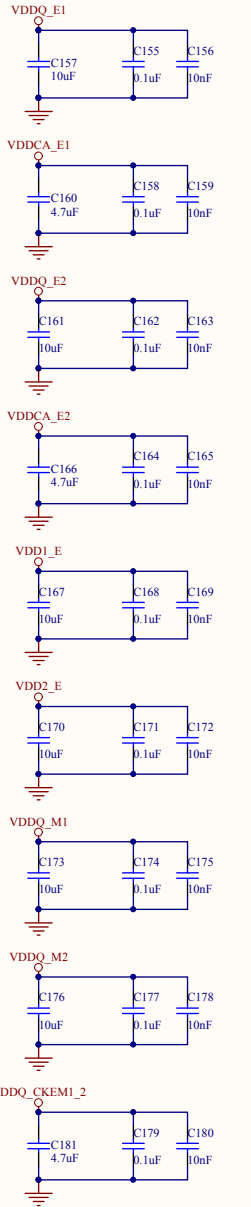
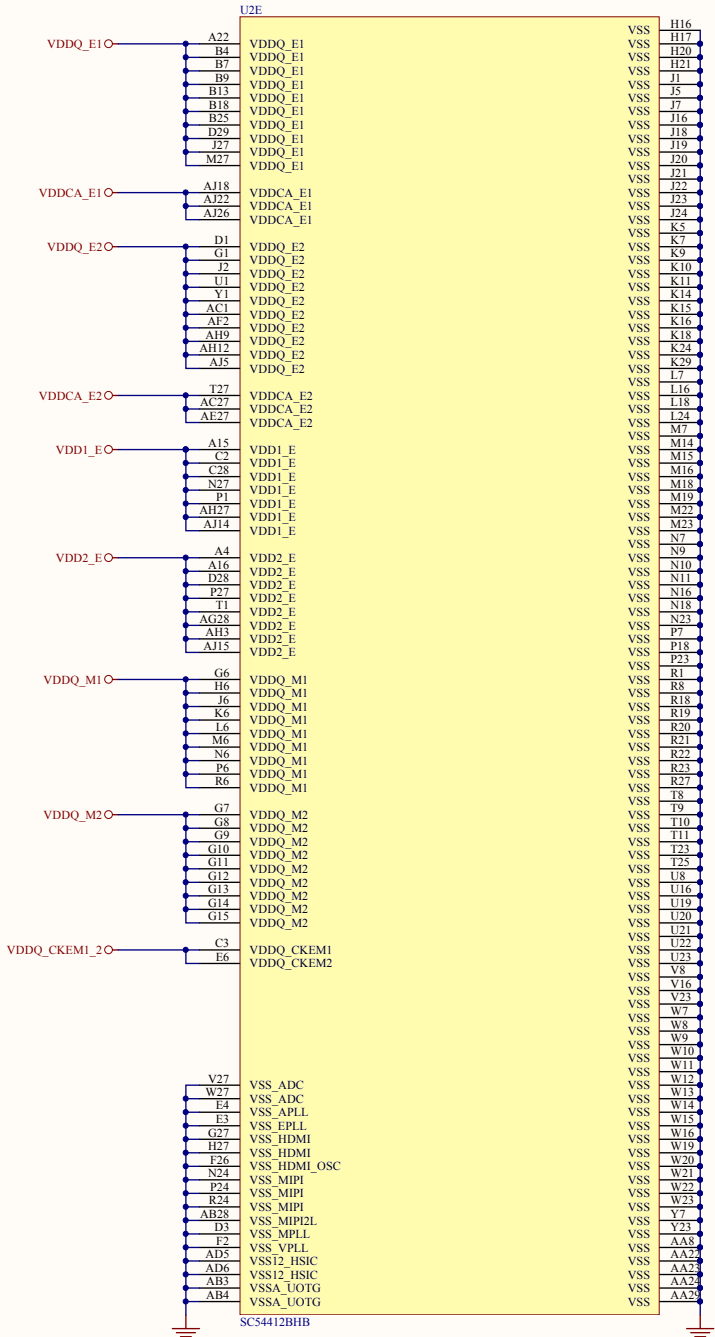


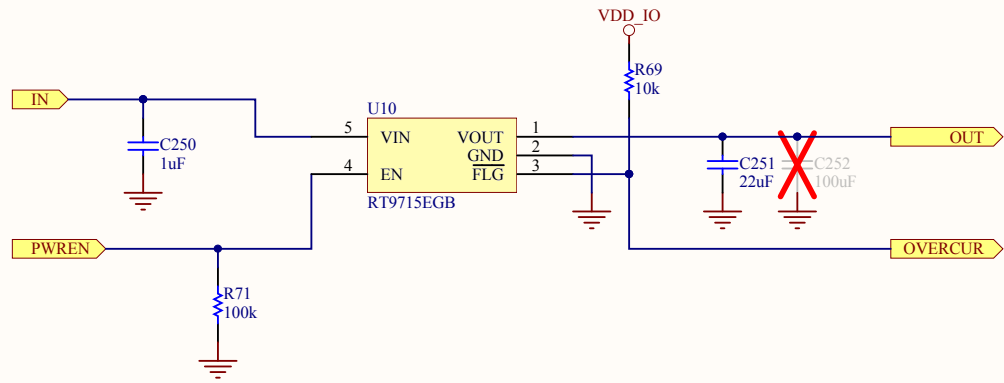
Title LEDs		Hardkernel Co.,LTD. 704 Anyang K-center 1591-9 Burim Dongan Gu Gyeonggido South Korea	
Size: A4	Number: 14.	Revision:0.1	
Date: 2014-06-02	Time: 오후 4:30:20		Sheet 14 of 26
File: D:\hw\hkl\pegasus\U3-MAIN\U LEDS.SchDoc			




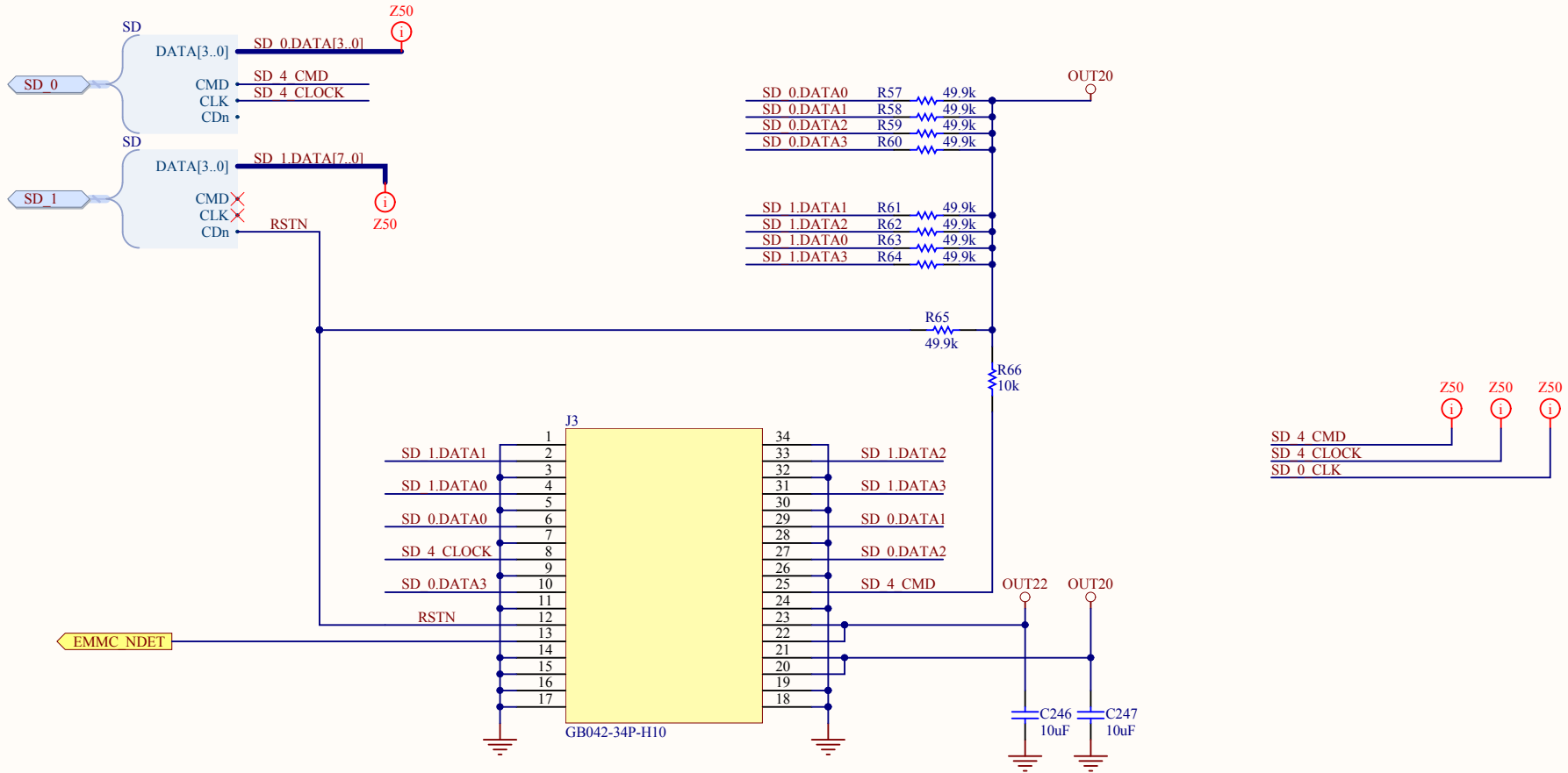


Title: HKDK4412 GEN POWER			R&D PART 704 Anyang K-center 1591-5	
Size: A3	Number: 15	Revision: 0.2	Burim Dongan Gu	
Date: 2014.06.02	Time: 20:30	Sheet: 15 of 26	Gyeonggi-do	
File: D:\hw\hkl\pegasus\U3-MAIN\MCU_EXYNOS4412_GEN_POWER_SchDoc			South Korea	



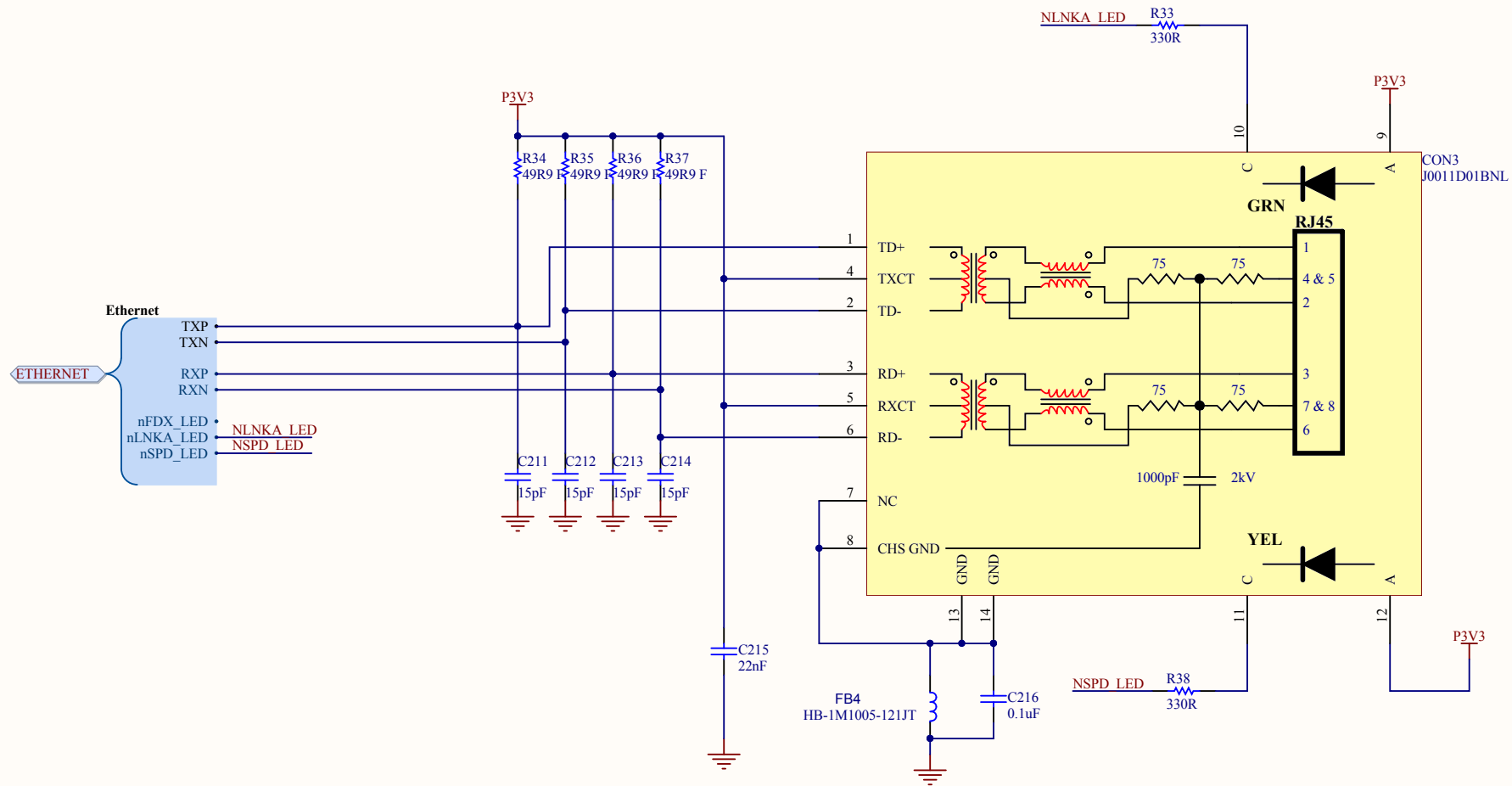


Title USB HOST Power Switch			Hardkernel Co.,LTD. 704 Anyang K-center 1591-9 Burim, Dongangu, Anyang Gyeonggido South Korea	
Size: A4	Number: 17.	Revision: 0.4		
Date: 2014-06-02	Time: 오후 4:30:20 Sheet 17 of 26			
File: D:\hw\hkl\pegasus\U3-MAIN\RT9715SEGB.SchDoc				



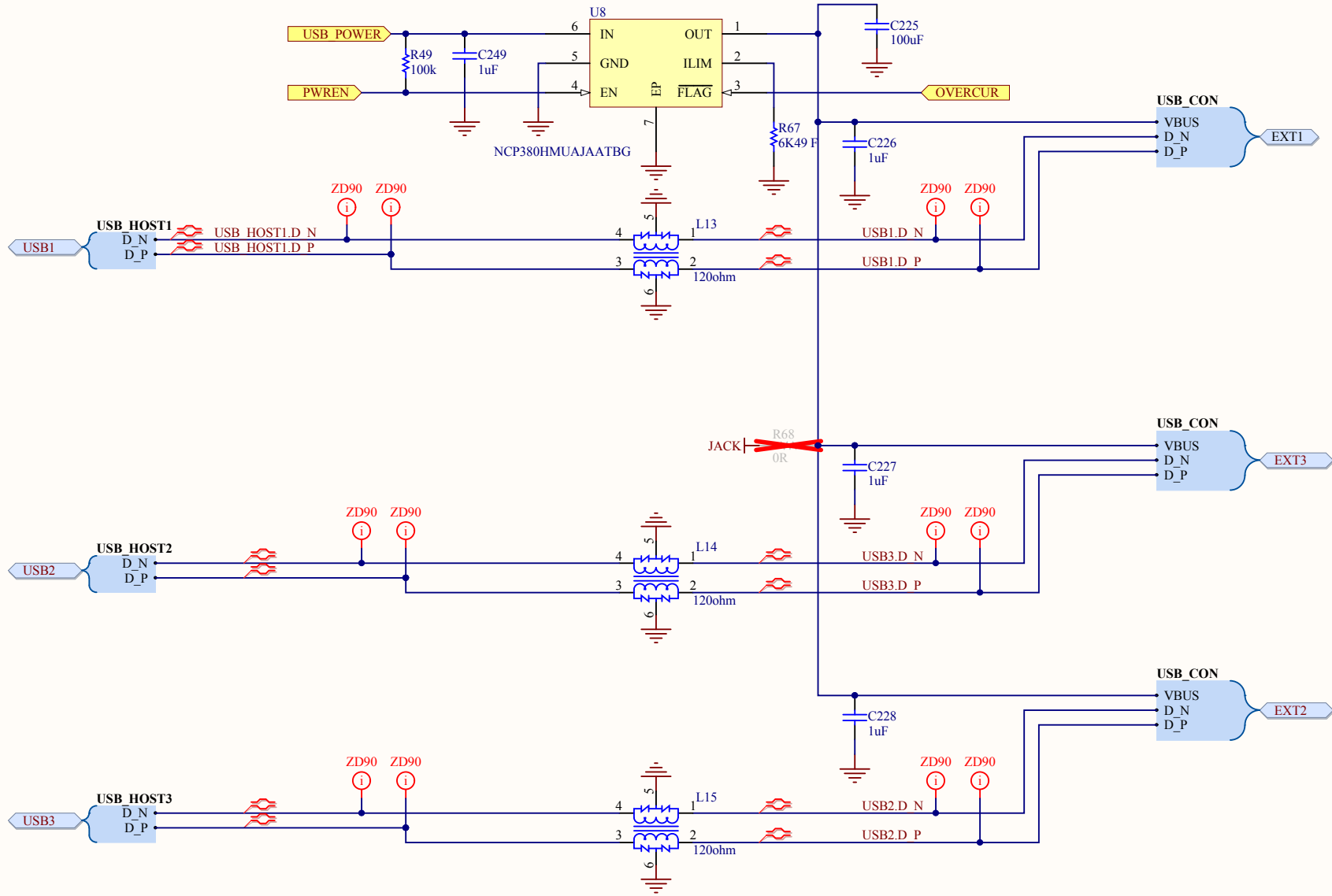
Title CON_EMMC		Hardkernel Co.,LTD. 704 Anyang K-center 1591-9 Burim Dongan Gu Gyeonggido South Korea	
Size: A4	Number: 18.	Revision: 0.4	
Date: 2014-06-02	Time: 오후 4:30:20	Sheet 18 of 26	
File: D:\hw\hkl\pegasus\U3-MAIN\CON EMMC.SchDoc			




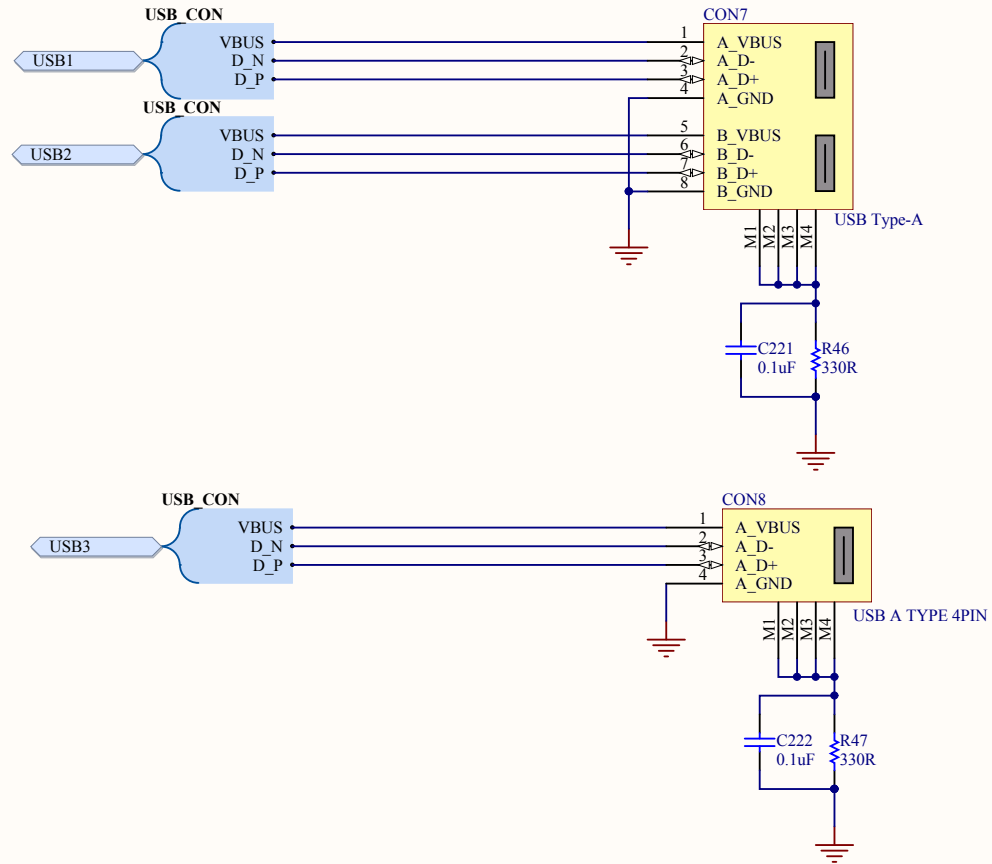


Title Ethernet		Hardkernel Co.,LTD. 704 Anyang K-center 1591-9 Burim, Dongangu, Anyang Gyeonggido South Korea	
Size: A4	Number: 19.	Revision: 0.4	
Date: 2014-06-02	Time: 오후 4:30:20 Sheet 19 of 26		
File: D:\hw\hkl\pegasus\U3-MAIN\CON Ethernet.SchDoc			



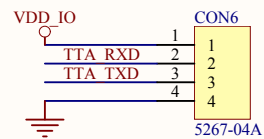
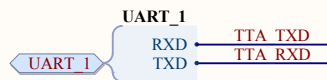



Title USB HOST Power Switch			Hardkernel Co.,LTD. 704 Anyang K-center 1591-9 Burim, Dongangu, Anyang Gyeonggido South Korea	
Size: A4	Number: 20.	Revision: 0.4		
Date: 2014-06-02	Time: 오후 4:30:20	Sheet 20 of 26		
File: D:\hw\hkl\pegasus\U3-MAIN\USB HOST PWR SW.SchDoc				

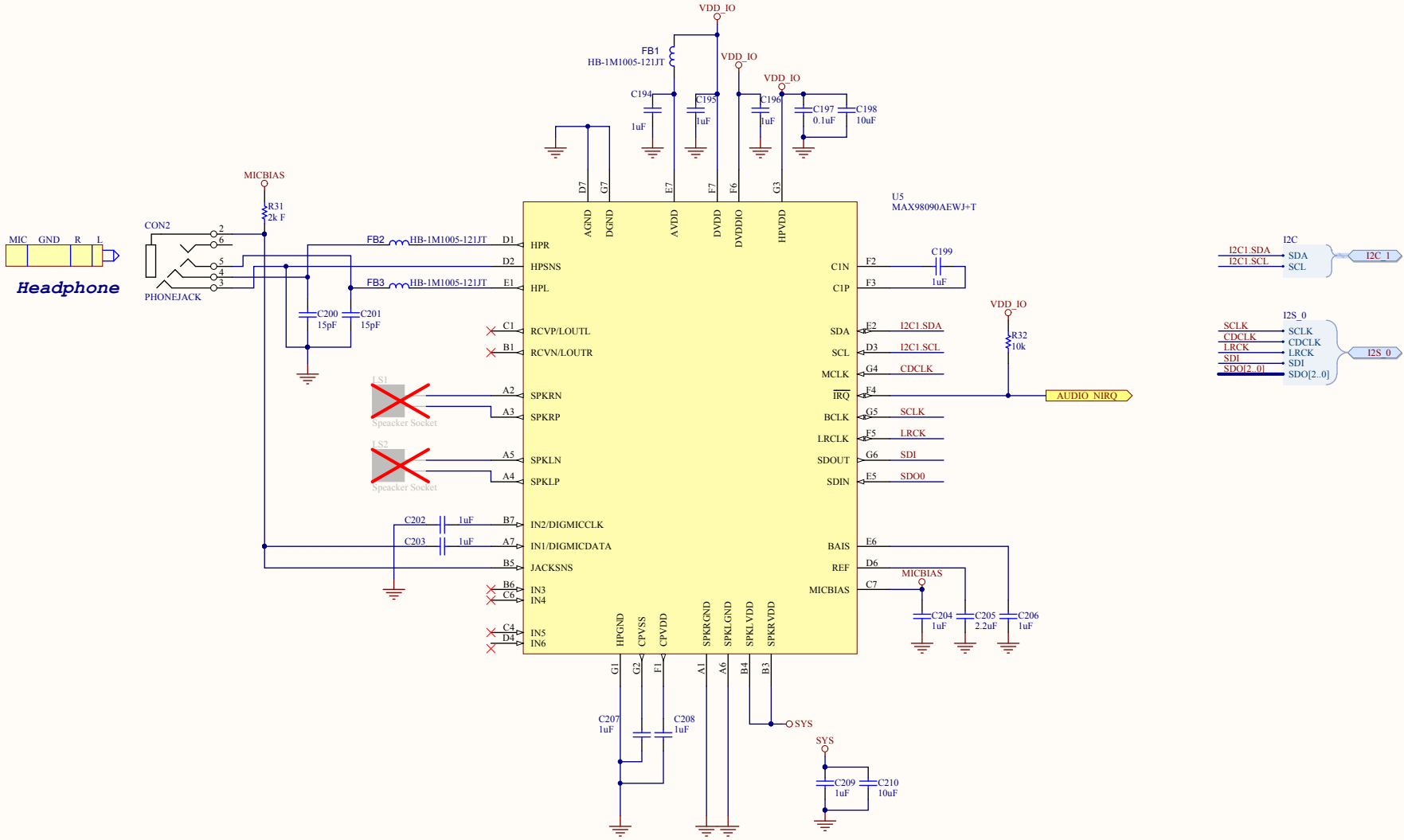


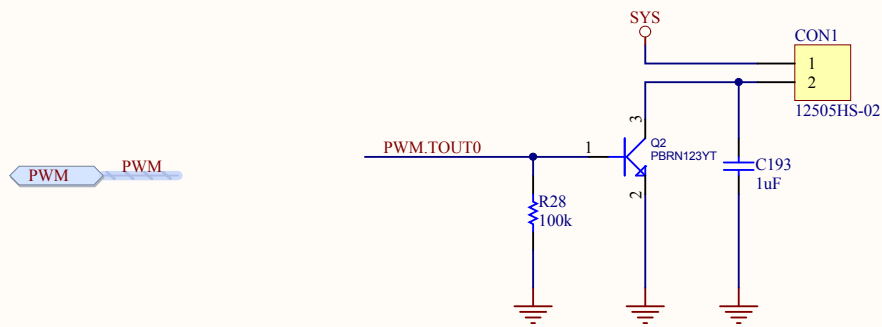
Title USB 2.0 Type A Connector			Hardkernel Co.,LTD. 1-605 Shinan Metrokhan 1115 Dalandong, Dongangu, Anyang, Gyeonggido South Korea
Size: A4	Number: 21.	Revision: 0.4	
Date: 2014-06-02	Time: 오후 4:30:20	Sheet 21 of 26	
File: D:\hw\hkl\pegasus\U3-MAIN\CON USB_RA.SchDoc			



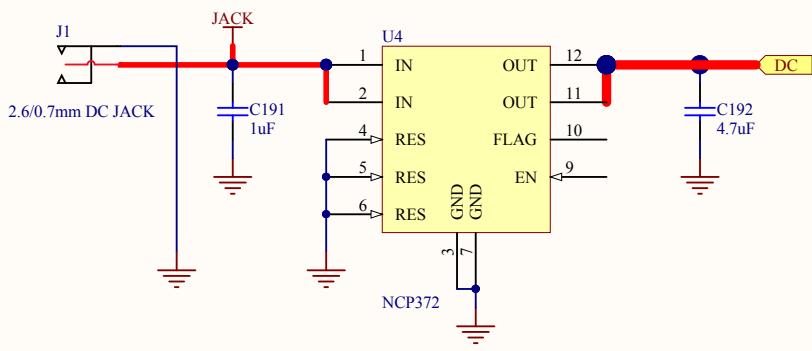



Title CON_UART			Hardkernel Co.,LTD. 704 Anyang K-center 1591-9 Burim, Dongangu, Anyang Gyeonggido South Korea	
Size: A4	Number: 22.	Revision: 0.4		
Date: 2014-06-02	Time: 오후 4:30:20 Sheet 22 of 26			
File: D:\hw\hkl\pegasus\U3-MAIN\CON_UART.SchDoc				

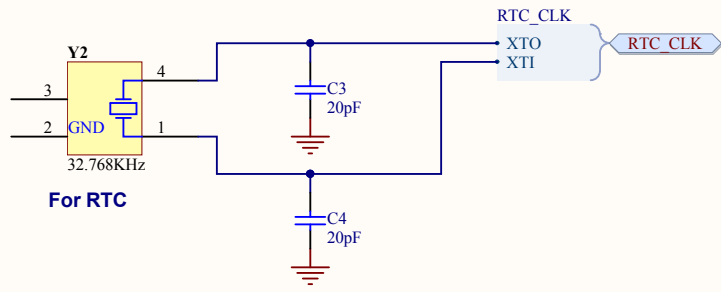
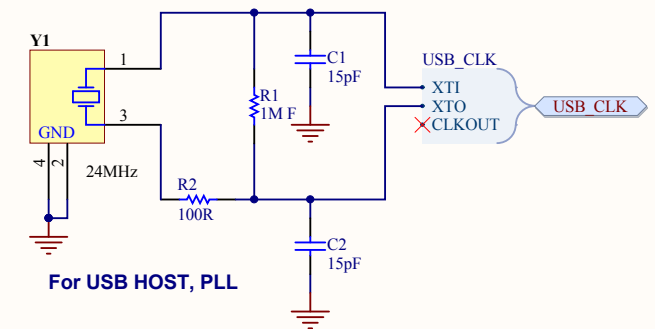





Title FAN			Hardkernel Co.,LTD. 704 Anyang K-center 1591-9 Burim Dongan Gu Gyeonggido South Korea	
Size: A4	Number: 24.	Revision: 0.1		
Date: 2014-06-02	Time: 오후 4:30:20 Sheet 24 of 26			
File: D:\hw\hkl\pegasus\U3-MAIN\CON_FAN.SchDoc				



Title DC Jack			Hardkernel Co.,LTD. 704 Anyang K-center 1591-9 Burim, Dongangu, Anyang Gyeonggido South Korea	
Size: A4	Number: 25.	Revision: 0.4		
Date: 2014-06-02	Time: 오후 4:30:21	Sheet 25 of 26		
File: D:\hw\hkl\pegasus\U3-MAIN\CON DCJACK.SchDoc				



Title CLK			R&D PART 704 Anyang K-center 1591-9 Burim Dongan Gu Gyeonggido South Korea	
Size: A4	Number: 26.	Revision: 0.2		
Date: 2014-06-02	Time: 오후 4:30:21 Sheet 26 of 26			
File: D:\hw\hkl\pegasus\U3-MAIN\CLK.SchDoc				