

RIG 800 series

RIG 800HD, RIG 800HS, RIG
800HX, RIG 800LX

User Guide

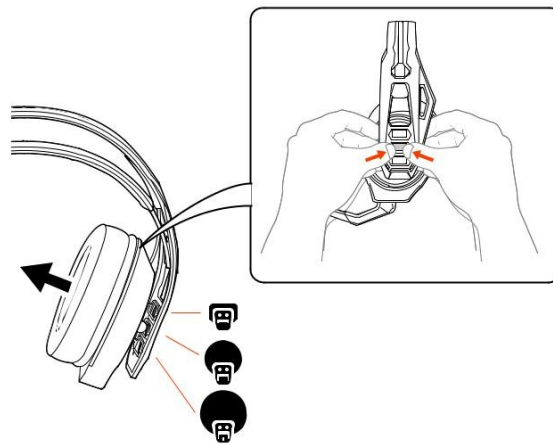
Contents

| | |
|----------------------------------|-------------------|
| Setup and basics | 3 |
| Fit | 3 |
| Setup PS4 | 4 |
| Setup Xbox One | 4 |
| Setup PC | 5 |
| Charge | 5 |
| Adjust volume | 5 |
| Mute | 6 |
| Set EQ | 6 |
| Support | 7 |

Setup and basics

Your adapter comes pre-paired to your headset. After you adjust and charge your headset and configure your adapter, power on your headset and it's ready to go.

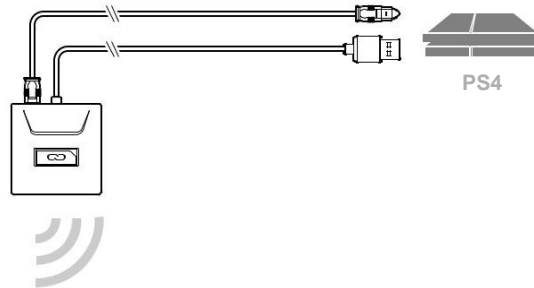
Fit Your headset components easily snap into the headset frame to configure the best fit and sound. The headband adjusts to three sizes (small, medium, large) by moving the earcups. To remove an earcup, press the earcup to detach it from the headband.



Setup PS4

PS4

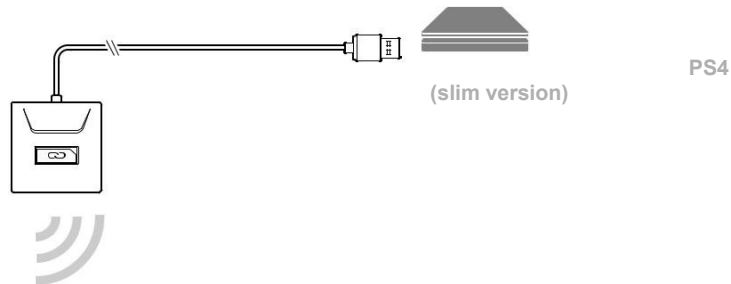
- 1 Connect your adapter to your system.



- 2 Power on your PS4 and Check for updates
- 3 Go to Settings > Sound and Screen > Audio Output Settings > Select Digital Out (Optical)
- 4 Go to Settings > Devices > Audio Devices > Output Devices Select Plantronics RIG800XX

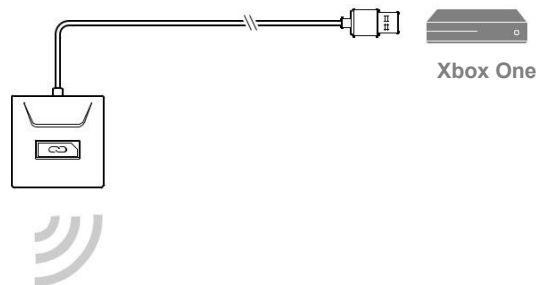
PS4 (slim version)

- 1 Connect your adapter to your system.



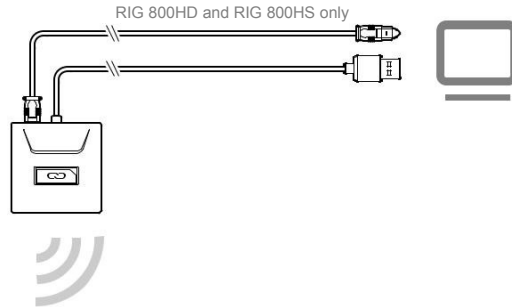
- 2 Power on your PS4 and Check for updates
- 3 Go to Settings > Devices > Audio Devices > Output Devices Select Plantronics RIG800XX
- 4 Go to Settings > Devices > Audio Devices > Output to headphones > All audio

- ## Setup Xbox One
- 1 Connect your adapter to your system.



- 2 Power on your Xbox One and Check for updates
- 3 Go to Display and Sound > Kinect and Devices > Device Options > Assign

Setup PC 1 Connect your adapter to your system.



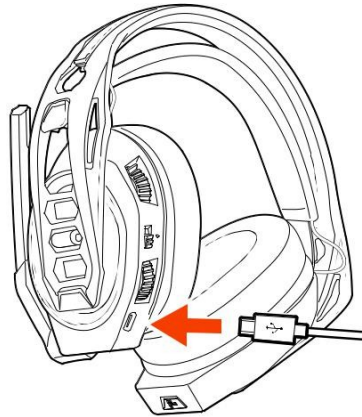
IMPORTANT Optical cable connection is only for RIG 800HD and RIG 800HS.

NOTE Optical cable is not provided in RIG 800HD.

2 RIG 800HX and RIG 800LX only: Ensure the switch on the back of the adapter is set to "PC."

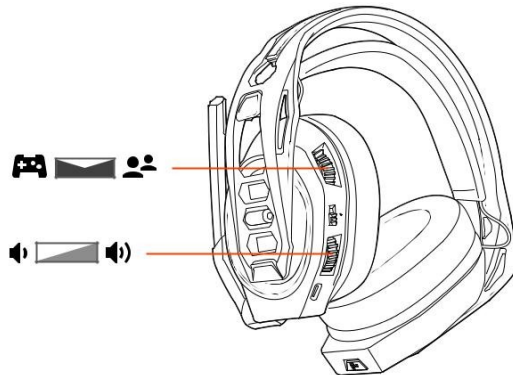
Charge

It takes up to 4.5 hours to fully charge your headphones. The headset LED is red while charging and turns off when complete.

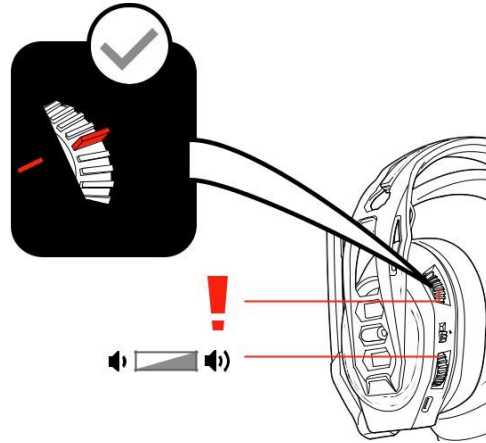


Adjust volume 1 To increase or decrease the game and chat volume, adjust the top headset dial.

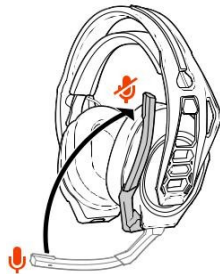
2 To increase or decrease the master volume, adjust the bottom headset dial.



IMPORTANT For the PS4 (slim version), set the top headset dial in the middle; game and chat remain balanced. Use the bottom headset dial to increase or decrease the master volume.



Mute Lift the boom to a full stop to mute the microphone.



CAUTION Do not force the boom past its upper or lower limits.

Set EQ Cycle through the EQ modes by tapping the EQ button.

| Tap the EQ button and hear | EQ mode |
|----------------------------|---------------------------------------|
| one tone | Pure EQ is our signature sound |
| two tones | Seismic EQ boosts bass |
| three tones | Intensify EQ focuses on detail sounds |
| four tones | Vocal EQ emphasizes vocal frequencies |