

RIG 4VR

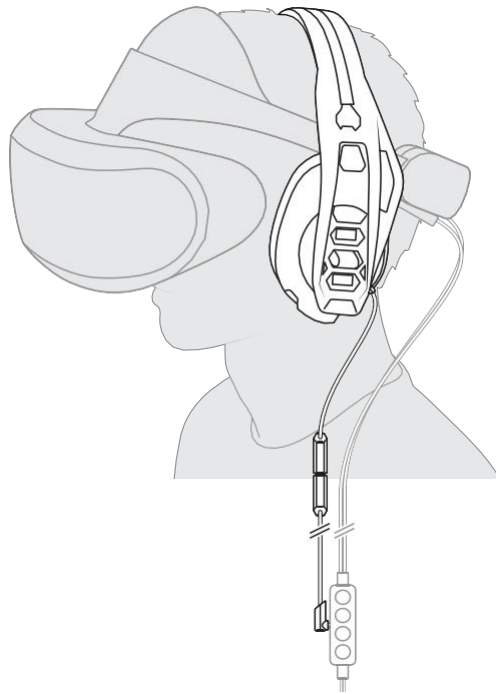
User Guide

Contents

Overview	3
Be safe	3
Setup and basics	4
Assemble headset	4
Connect to PlayStation VR	4
Connect to devices	5
Setup PS4	5
Mute	5
Support	7

Overview

Fit your headset over PlayStation®VR and plug the 3.5 mm connector into the inline controller.



Be safe

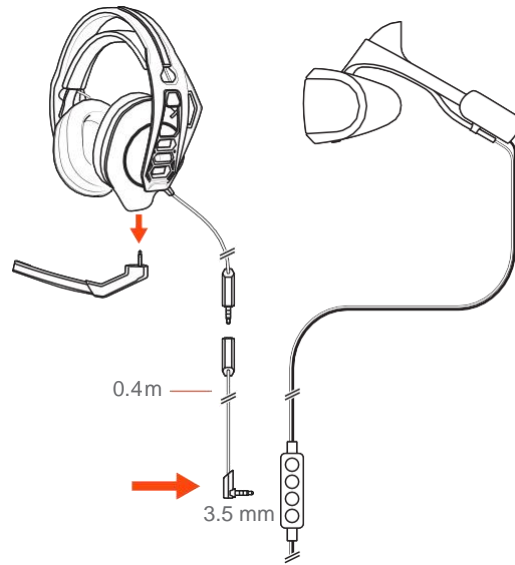
Please read the safety guide for important safety, charging, battery and regulatory information before using your new headset.

Setup and basics

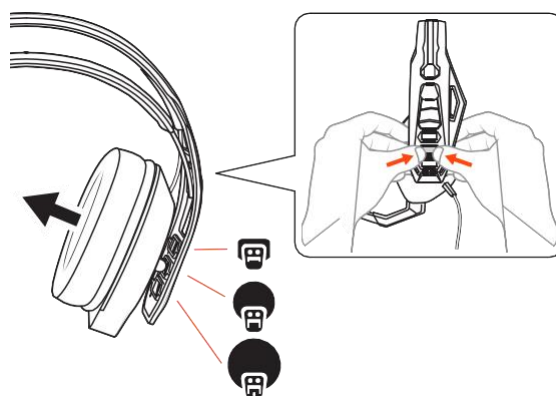
Assemble headset

Your headset components easily snap into the headset frame to configure the best fit and sound.

- 1 Follow the diagram to put your headset together.
NOTE Remove the boom when using the headset with PlayStation VR.

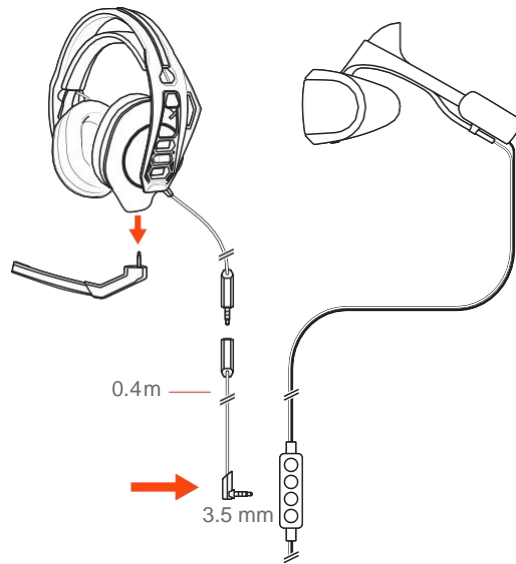


- 2 The headband adjusts to three sizes (small, medium, large) by moving the earcups. To remove an earcup, press the earcup to detach it from the headband.



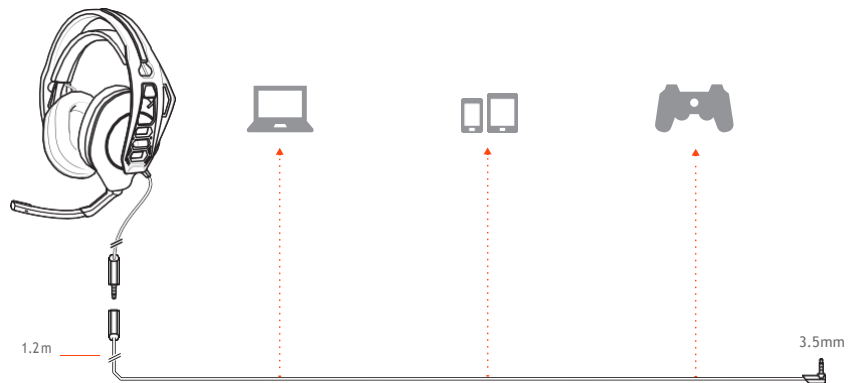
Connect to PlayStation VR

Attach the headset jack to the 0.4 m cord and plug the 3.5 mm connector into PlayStation VR's inline controller.



Connect to devices

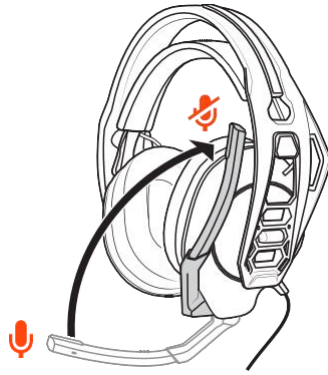
Attach the headset jack to the 1.2m cord and plug the cord's 3.5 mm connector into the device.



NOTE Laptop, tablet and mobile device compatibility and use with these devices is not tested nor endorsed by Sony Interactive Entertainment Europe.

- Setup PS4
- 1 To setup your headset for PS4, first go to Settings > Devices > Audio Devices > Output to Headphones > All Audio
 - 2 For system volume control, go to Settings > Devices > Audio Devices > Output to headphones > Volume Control

Mute Lift the boom to a full stop to mute the microphone.



CAUTION Do not force the boom past its upper or lower limits.

plantronics®