

# RIG 400 Series

RIG 400, RIG 400HS, RIG 400HX, RIG  
400LX

User Guide

# Contents

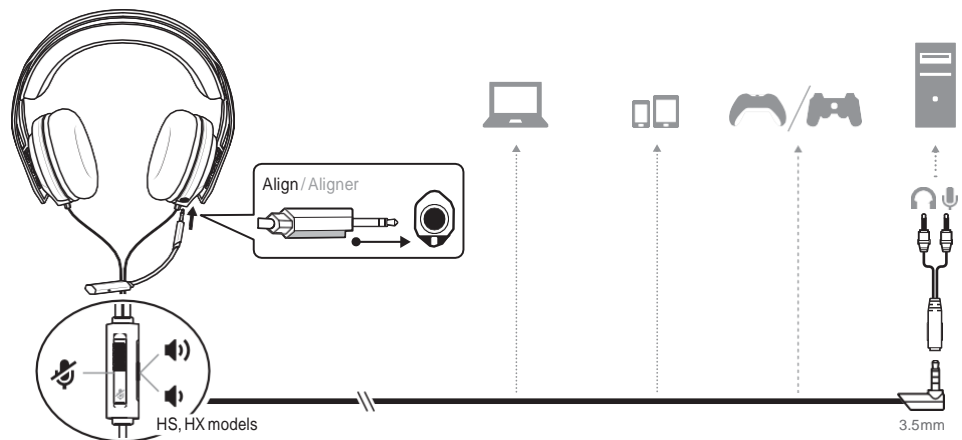
Setup and basics	3
Assemble headset	3
Be safe	3
Setup PS4	3
Setup Xbox One	4
Adjust the volume	4
Mute	4
LX1 adapter guide for LX series	5
Overview	5
Set up	5
Support	7

# Setup and basics

## Assemble headset

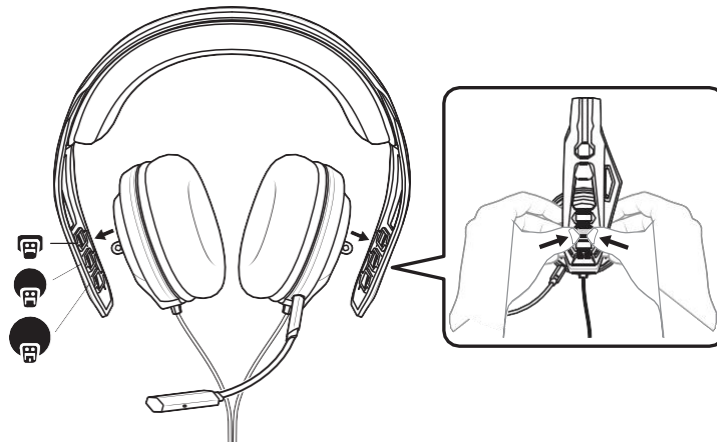
Your headset components easily snap into the headset frame to configure the best fit and sound.

- 1 Follow the diagram to put your headset together.  
**IMPORTANT** When inserting the boom, align the notches on the boom jack and port. The microphone will not work if the boom is inserted incorrectly.



**NOTE** Laptop, tablet and mobile device compatibility and use with these devices is not tested nor endorsed by Sony Interactive Entertainment Europe.

- 2 The headband adjusts to three sizes (small, medium, large) by moving the earcups. To remove an earcup, press the earcup to detach it from the headband.



## Besafe

Please read the safety guide for important safety, charging, battery and regulatory information before using your new headset.

## Setup PS4

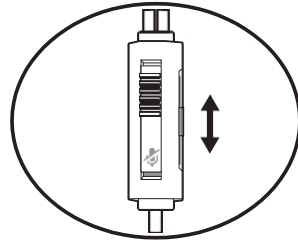
- 1 To setup your headset for PS4, first go to Settings > Devices > Audio Devices > Output to Headphones > All Audio
- 2 For system volume control, go to Settings > Devices > Audio Devices > Output to headphones > Volume Control

**Setup Xbox One**

To setup your headset for Xbox One, go to Display and sound > Kinect and devices > Select device and adjust settings

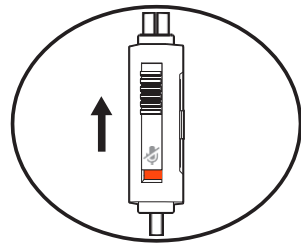
**Adjust the volume**

**(HS, HX models)** To adjust the volume, slide the volume control.



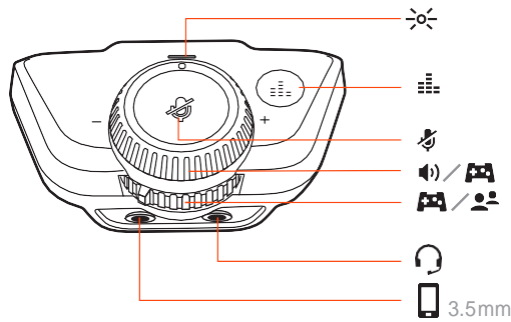
**Mute**

**(HS, HX models)** To mute your headset, slide the mute switch to reveal the red color.



# LX1 adapter guide for LX series

## Overview



### LED

Red = Mute  
Blue = Balanced mode  
Green = Independent mode



### EQ settings (short press)

Single tone = Pure EQ maintains high frequencies  
Double tone = Intensify EQ emphasizes mid-range sounds  
Triple tone = Seismic EQ boosts bass

### Mode settings (press and hold for 4 seconds)

Balance mode = The top dial controls master volume and the bottom dial controls game and chat volume

Independent mode = The top dial controls game volume and the bottom dial controls chat volume



Tap to mute your mic (LED turns red)



### Top dial

Balance mode = Controls master volume  
Independent mode = Controls game volume



### Bottom dial

Balance mode = Balances game and chat volume  
Independent mode = Controls chat volume



Headset port



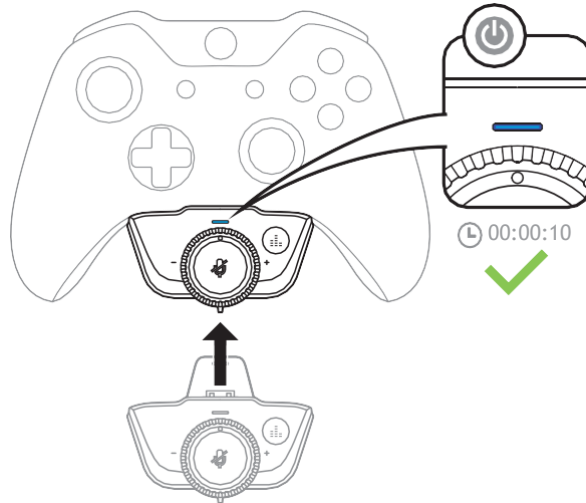
3.5mm stereo AUX input

**NOTE** *Balance mode is the default setting.*

## Set up

The adapter is compatible with the Xbox One first and second generation wireless controllers.

- 1 Plug the adapter into a compatible Xbox One controller.
- 2 Power on the Xbox One controller. It may take the adapter up to 10 seconds to boot up. The LED turns on for 2 seconds to indicate power.



- 3 Connect a headset to the adapter in the 3.5 mm jack.
- 4 Choose how you want the dials to be configured. By default, the adapter is set to Balance mode. Press the EQ button for 2 seconds to switch between Balance and Independent mode.
  - **Balance mode** In Balance mode (blue LED) the top dial controls master volume and the bottom dial balances game and chat.



- **Independent mode** In Independent (green LED) mode the game and chat channels are split; the top dial controls game volume and the bottom dial controls chat volume.



- 5 Choose an EQ setting. Cycle through the EQ modes by tapping the EQ button.

Tap the EQ button and hear	EQ mode
one tone	Pure EQ maintains high frequencies.
two tones	Intensify EQ emphasizes mid-range sounds.
three tones	Seismic EQ boosts bass.

- 6 **Optional** Plug a device into the 3.5 mm jack, if you want to listen music while gaming.

